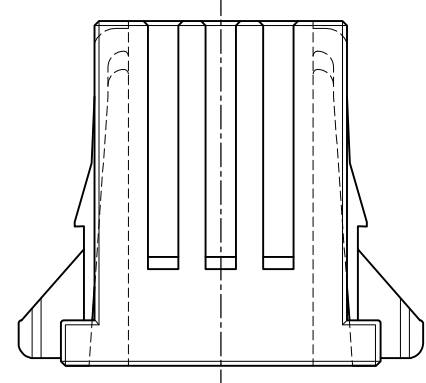
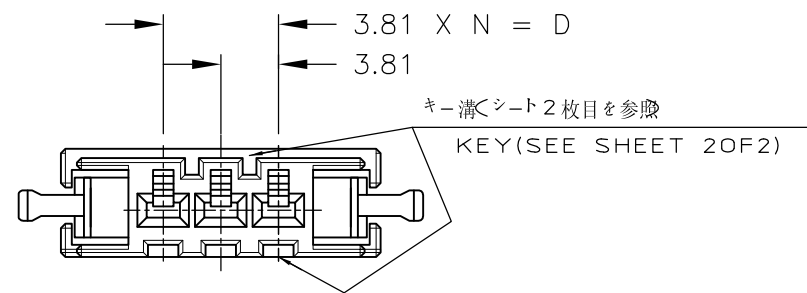
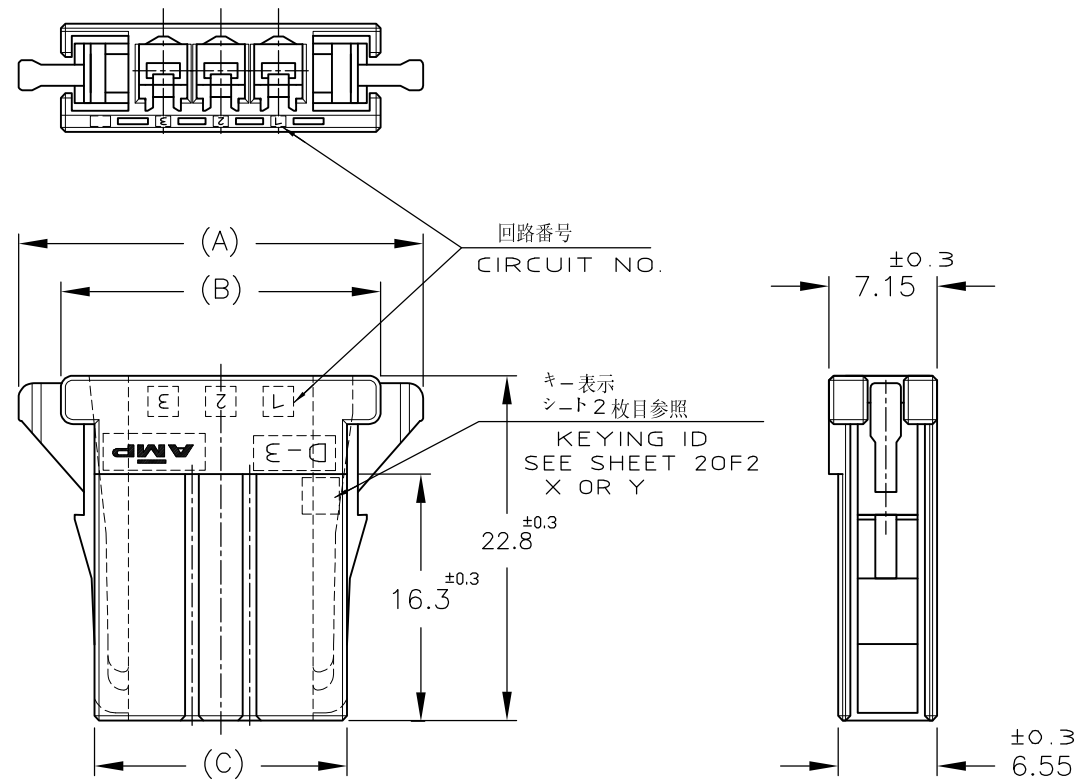


NUMBER 178288



METRIC

PRINT DIST 単位 概 DIMENSIONS IN MM. DO NOT SCALE PRINT



NOTE  
 1 MATERIAL: GLASS FIELD THERMO PLASTIC, POLYESTER  
 COLOR: BLACK  
~~△ TO COAT ALL SURFACE OF HOUSING WITH TEFLON~~

注記  
 1 材料: ガラス入り熱可塑性ポリエステル樹脂  
 色: 黒色  
~~△ ハウジング全面にテフロン塗装のこと~~

FINISH	POS.	DIMENSION	A	B	C	D	N	PART NUMBER
	10 POS.		53.43	47.83	43.37	34.29	9	2-178288-8
	10 POS.		53.43	47.83	43.37	34.29	9	1-178288-8
	8 POS.		45.81	40.12	35.97	26.67	7	1-178288-7
	6 POS.		38.19	32.59	28.13	19.05	5	2-178288-6
	6 POS.		38.19	32.59	28.13	19.05	5	1-178288-6
	5 POS.		34.38	28.78	24.32	15.24	4	1-178288-5
	4 POS.		30.57	24.97	20.51	11.43	3	2-178288-4
	4 POS.		30.57	24.97	20.51	11.43	3	1-178288-4
OBSOLETE	<del>△</del> 3 POS.		26.76	21.16	16.7	7.62	2	6-178288-3
OBSOLETE	<del>△</del> 3 POS.		26.76	21.16	16.7	7.62	2	5-178288-3
	3 POS.		26.76	21.16	16.7	7.62	2	2-178288-3
	3 POS.		26.76	21.16	16.7	7.62	2	1-178288-3

				<b>STE</b> TE Connectivity					
				抱合電線断面(WIRE RANGE)		被覆外径(INSULATION DIA.)		名称(NAME)	
				mm <sup>2</sup> (AWG - )		mmφ		REC HSG FOR DYNAMIC, SINGLE ROW ダイナミックφ-3100リセハウジング	
				材料(MATERIAL) SEE NOTE 注記参照		仕上(FINISH)		一般公差 (GENERAL TOLERANCE)	
				DR. 9 JUL 91 N. Matsubara		DE. 9 JUL 91 N. Matsubara		10以下 ±0.2 10以上 30以下 ±0.25 30以上 100以下 ±0.3 角度 ±3°	
E4 REVISED PER ECO-11-005030				RK	HMR	21MAR11	SIZE A3		LOC J
LTR 変更 (REVISION RECORD)				DR	CHK	DATE	番号(No.) C=178288		尺度(SCALE) 2-1
				CHK. 17 JUL 91 H. Obata	APP. 17-DEC-'91 S. MANABE		REV. E4		SHEET 1 OF 2

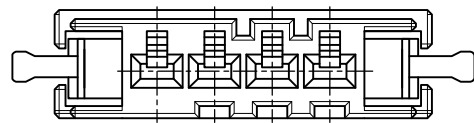
NUMBER 178288



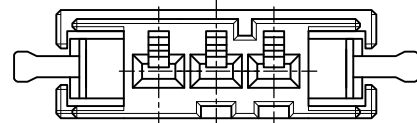
METRIC

PRINT DIST 单位 耗 DIMENSIONS IN MM. DO NOT SCALE PRINT

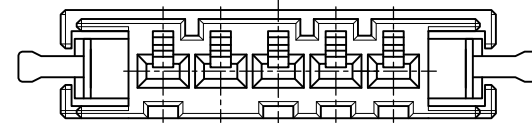
# KEYING LOCATION



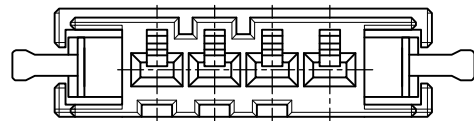
(P/N 2-178288-4 ONLY)  
(KEYING: Y)



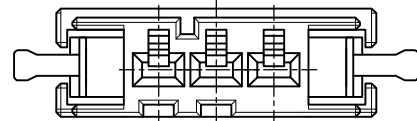
(P/N 2-178288-3 ONLY)  
(KEYING: Y)



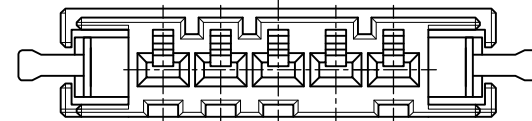
(P/N 2-178288-6,-8)  
(KEYING: Y)



(P/N 1-178288-4 ONLY)  
(KEYING: X)



(P/N 1-178288-3 ONLY)  
(KEYING: X)



(P/N 1-178288-5,-6,-7,-8)  
(KEYING: X)

				<b>STE</b> TE Connectivity	
抱合電線断面(WIRE RANGE)		被覆外径(INSULATION DIA.)		名称(NAME)	
mm(AWG - )		mmφ		REC HSG FOR DYNAMIC, SINGLE ROW ダイナミック-3100リセハウジング	
材料(MATERIAL) SEE NOTE 注記参照		仕上(FINISH)		一般公差 (GENERAL TOLERANCE)	SIZE LOC 番号(No.)
DR.		DE. OF 2		10以下 : ±0.2 10以上 30以下 : ±0.25 30以上 100以下 : ±0.3 角度 : ±3°	A3 J 178288
LTR 変更 (REVISION RECORD)	DR	CHK	DATE	CHK. SEE 1 OF 2 APP.	尺度(SCALE) REV. SHEET 2-1 E4 2 OF 2

(CUSTOMER DRAWING) 顧客用図面

# Mouser Electronics

Authorized Distributor

Click to View Pricing, Inventory, Delivery & Lifecycle Information:

[TE Connectivity:](#)

[2-178288-3](#)