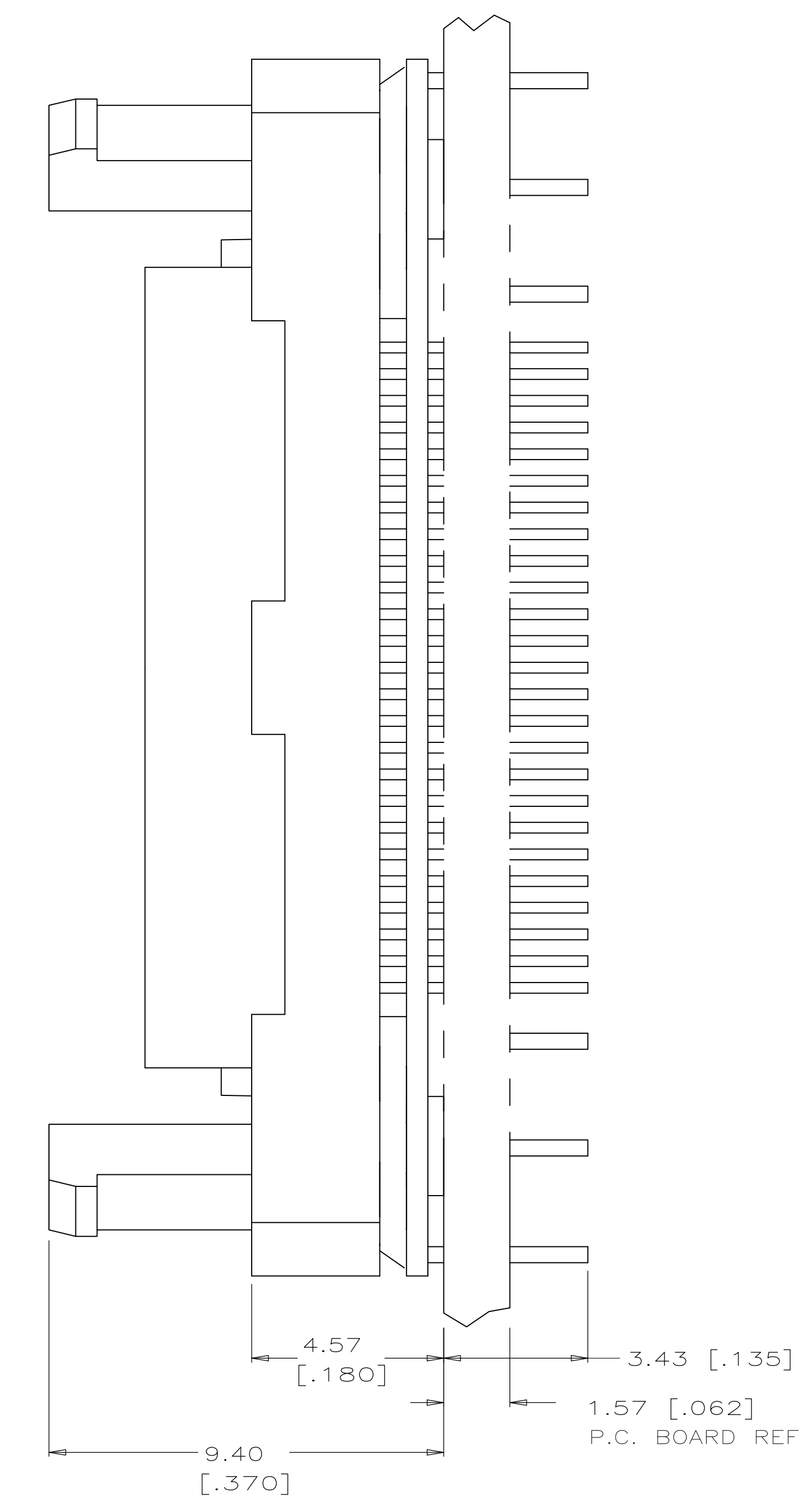
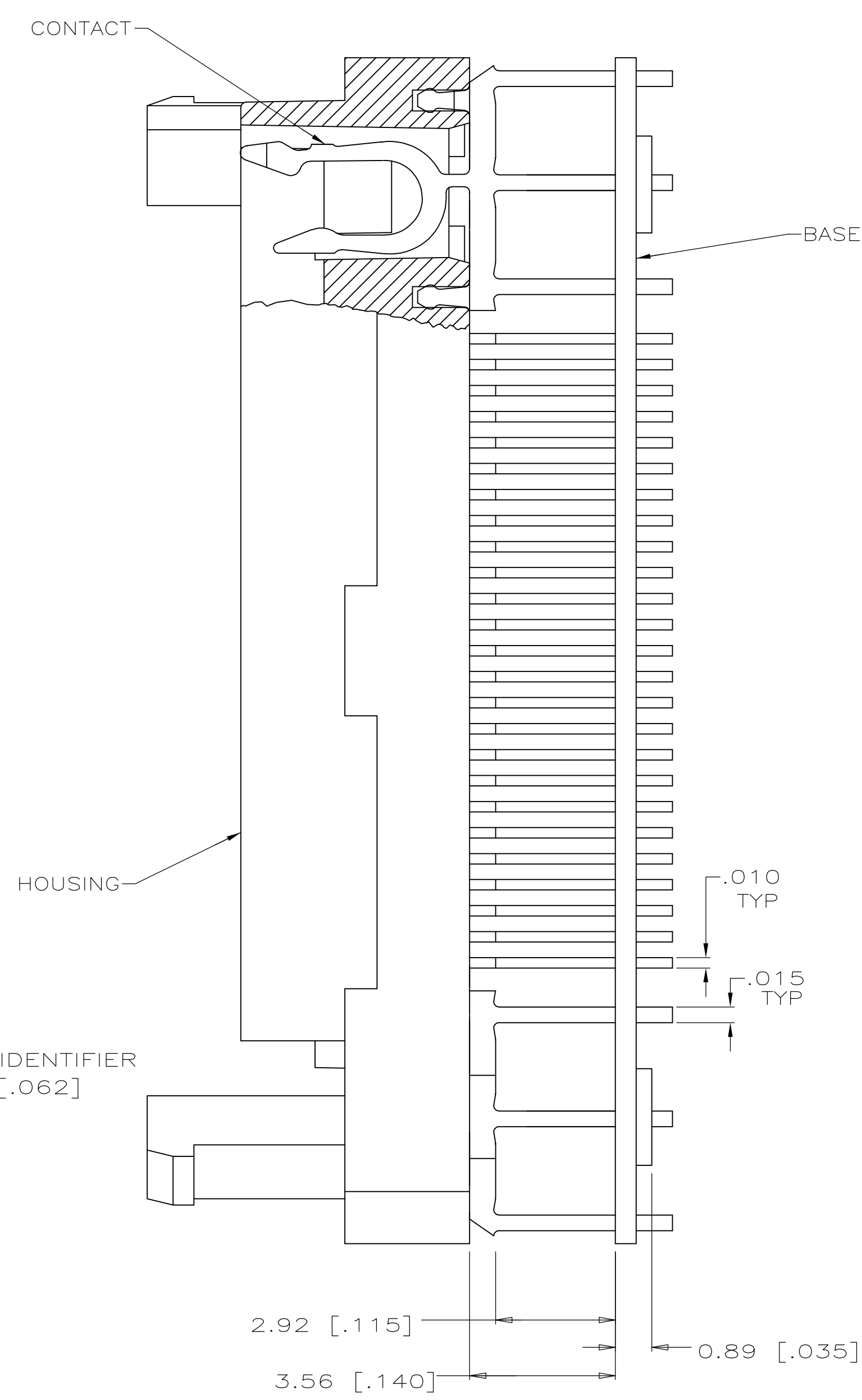


SUB-ASSEMBLY SHOWN AS SHIPPED SUB-ASSEMBLY SHOWN IN FINAL POSITION

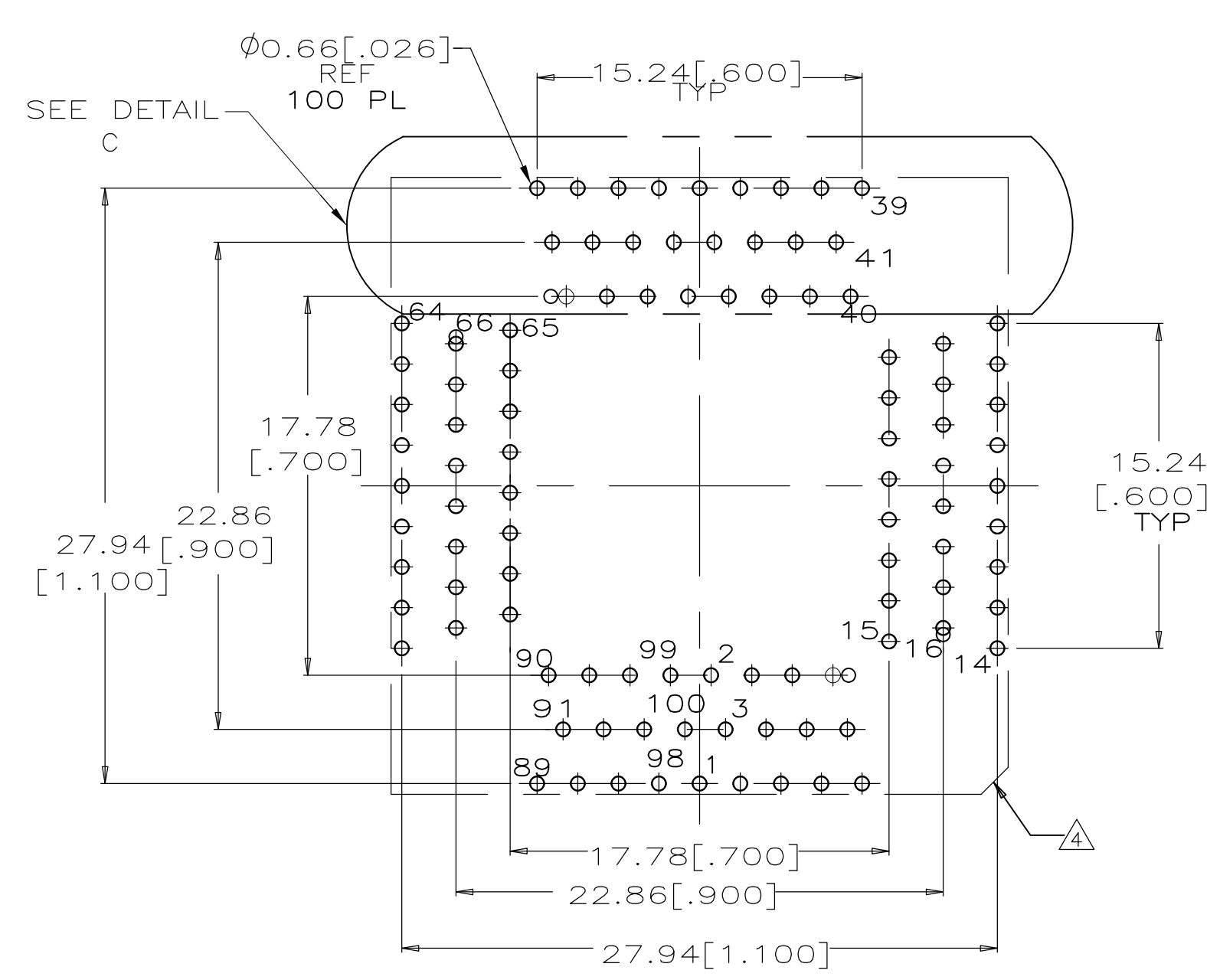


- ① HOUSING MATERIAL SHALL BE LIQUID CRYSTAL POLYMER. (BLACK)
- ② CONTACT MATERIAL SHALL BE PHOS. BRONZE. PLATING SHALL BE 0.00508 [.000200] MIN. TIN LEAD OVER 0.00127 [.000050] MIN. NICKEL ALL OVER.
- ③ BASE MATERIAL SHALL BE LIQUID CRYSTAL POLYMER. (BLACK)
- ④ SOCKET TO BE MOUNTED WITH AMP LOGO AND CHAMFER ON SOCKET LOCATED IN THIS CORNER OF P.C. BOARD.
- ⑤ THIS AREA TO BE FREE OF COMPONENTS FOR ACCESS OF THE MICRO-PITCH HAND TOOL. MINIMUM OF TWO OPPOSITE SIDES.
- ⑥ CONTACT MATERIAL SHALL BE PHOS. BRONZE. PLATING SHALL BE 0.00508 [.000200] MIN. TIN (LEAD FREE) OVER 0.00127 [.000050] MIN. NICKEL ALL OVER.
- ⑦ ROHS 2002/95/EC COMPLIANT.

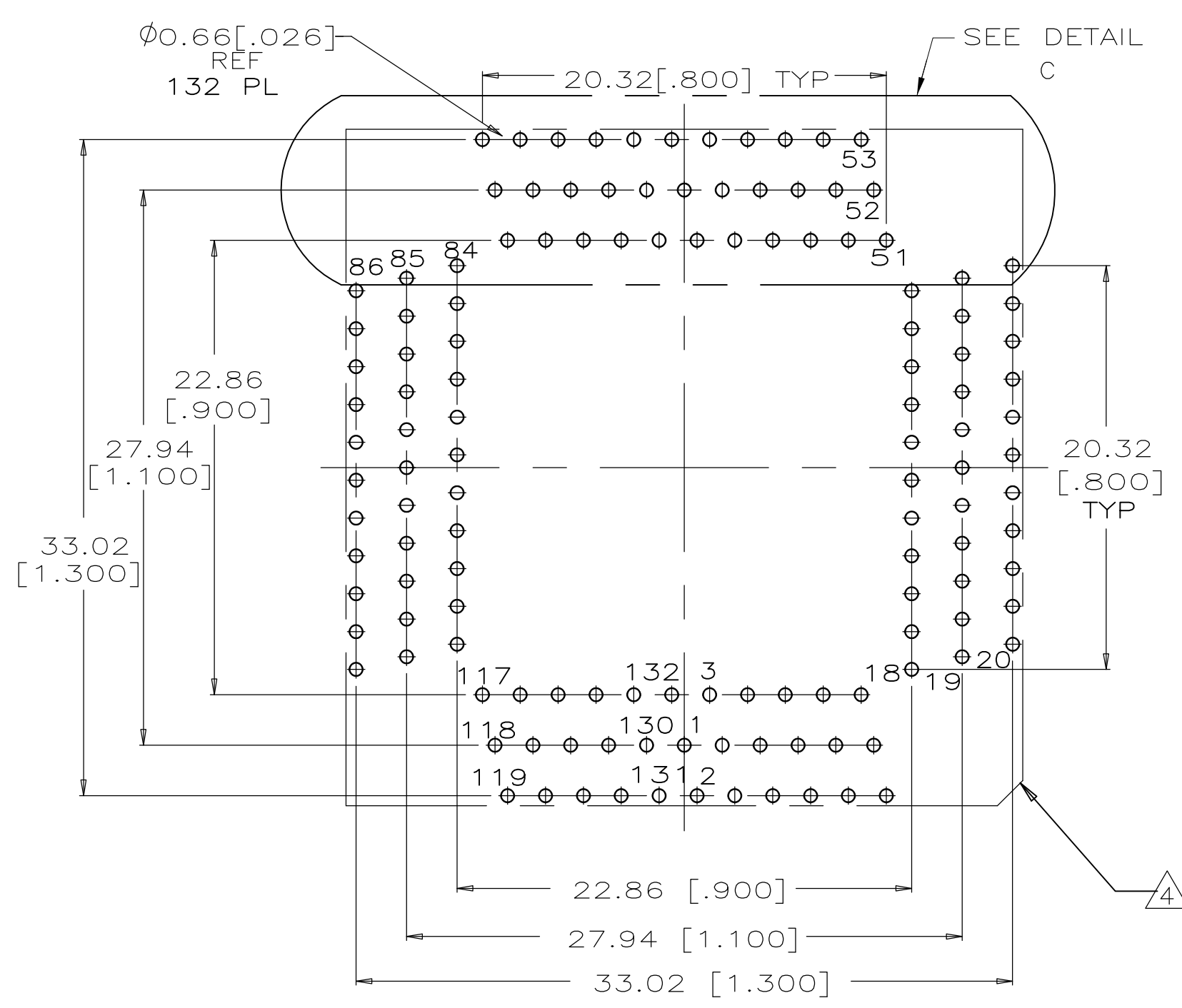
⑦ ⑥	20.32 [.800]	34.04 [1.340]	2-821949-5	132
⑦ ⑥	15.24 [.600]	28.96 [1.140]	2-821949-4	100
②	20.32 [.800]	34.04 [1.340]	821949-5	132
②	15.24 [.600]	28.96 [1.140]	821949-4	100
FINISH	B	A	PART NO.	NO OF POSN

THIS DRAWING IS A CONTROLLED DOCUMENT.

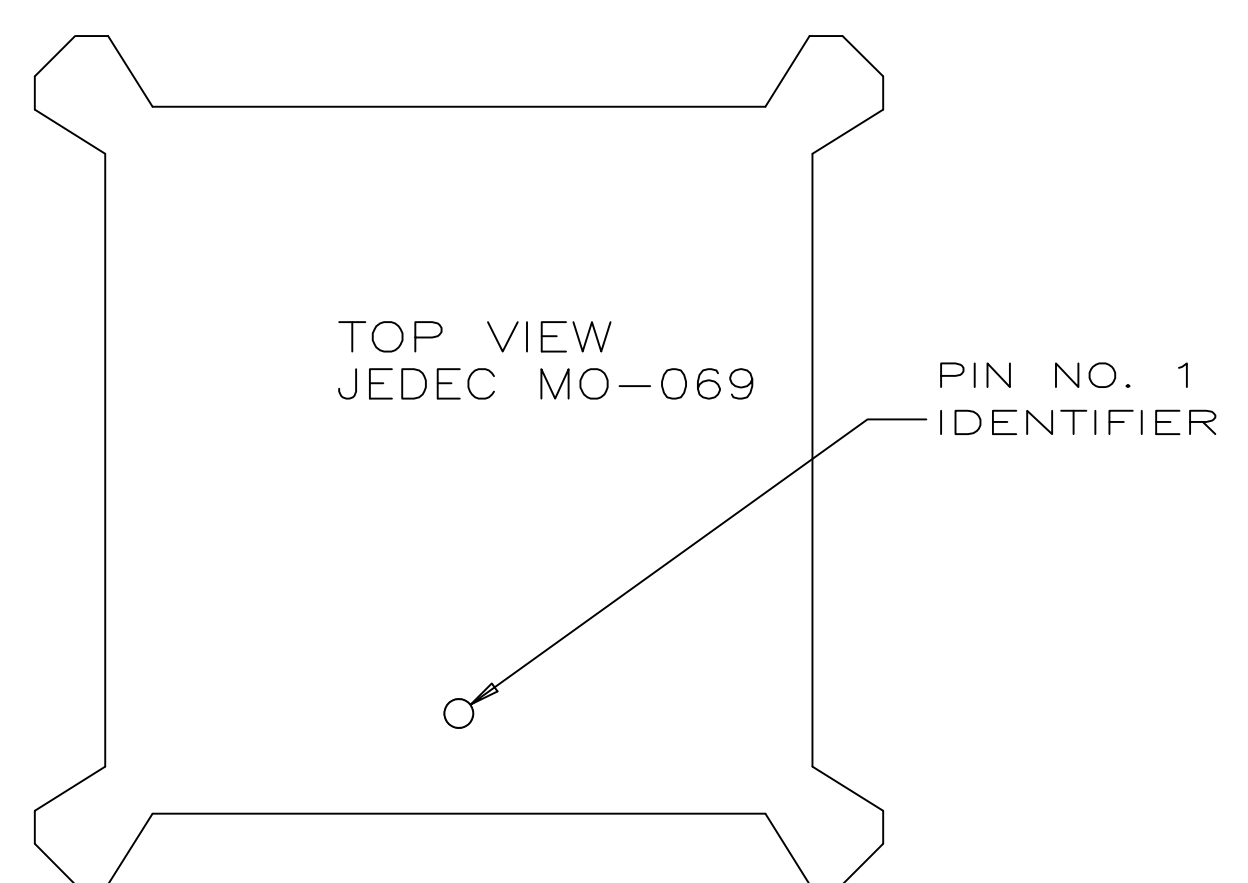
DIMENSIONS: INCHES	TOLERANCES UNLESS OTHERWISE SPECIFIED:	DWN: K.SALMON 10-4-90	TE Connectivity
0 PLC ± -	1 PLC ± -	CHK: R.MILLER 10-5-90	
2 PLC ± -	3 PLC ± 0.1[.005]	APVD: F.BOYD 10-5-90	NAME: MICRO-PITCH SOCKET .025 C/L PQFP GULLWING, HOUSING SUB-ASSEMBLY
4 PLC ± -	ANGLES ± -	APPLICATION SPEC	SIZE: A1
MATERIAL	FINISH	WEIGHT	CAGE CODE: 00779
① ② ③ ⑥	② ⑥	CUSTOMER DRAWING	DRAWING NO: 821949
		SCALE: 10:1	SHEET 1 OF 3
		REV: N1	



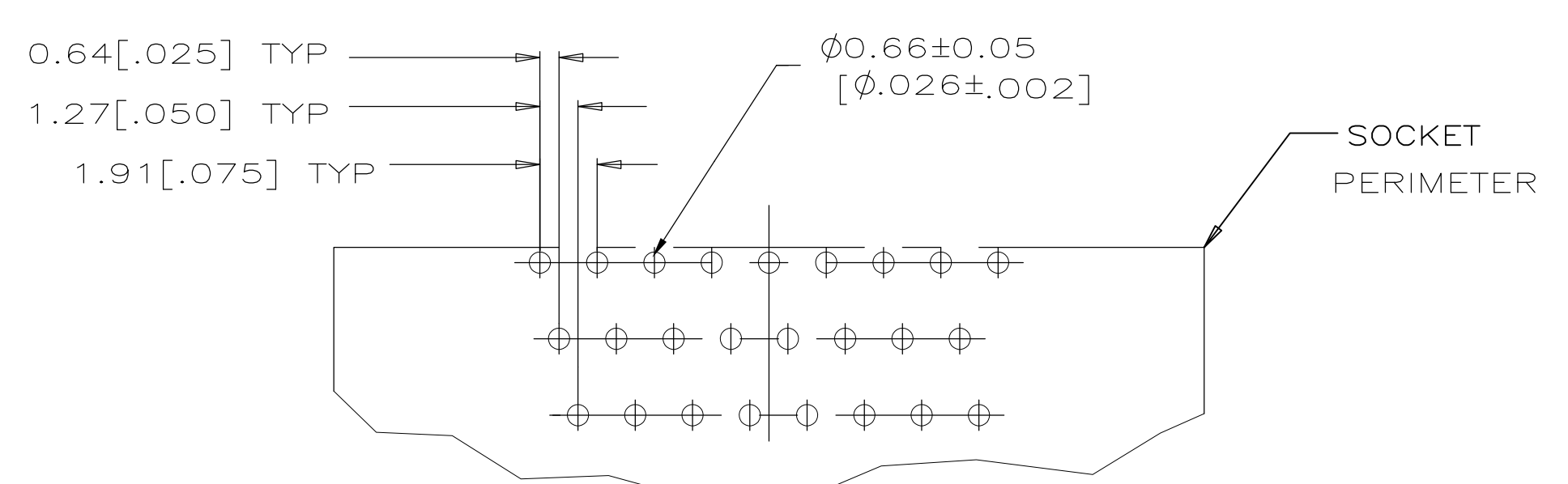
RECOMMENDED P.C. BOARD HOLE PATTERN
 SOCKET SIDE
 100 POSN.
 SCALE: 4:1



RECOMMENDED P.C. BOARD HOLE PATTERN
 SOCKET SIDE
 132 POSN.
 SCALE: 4:1

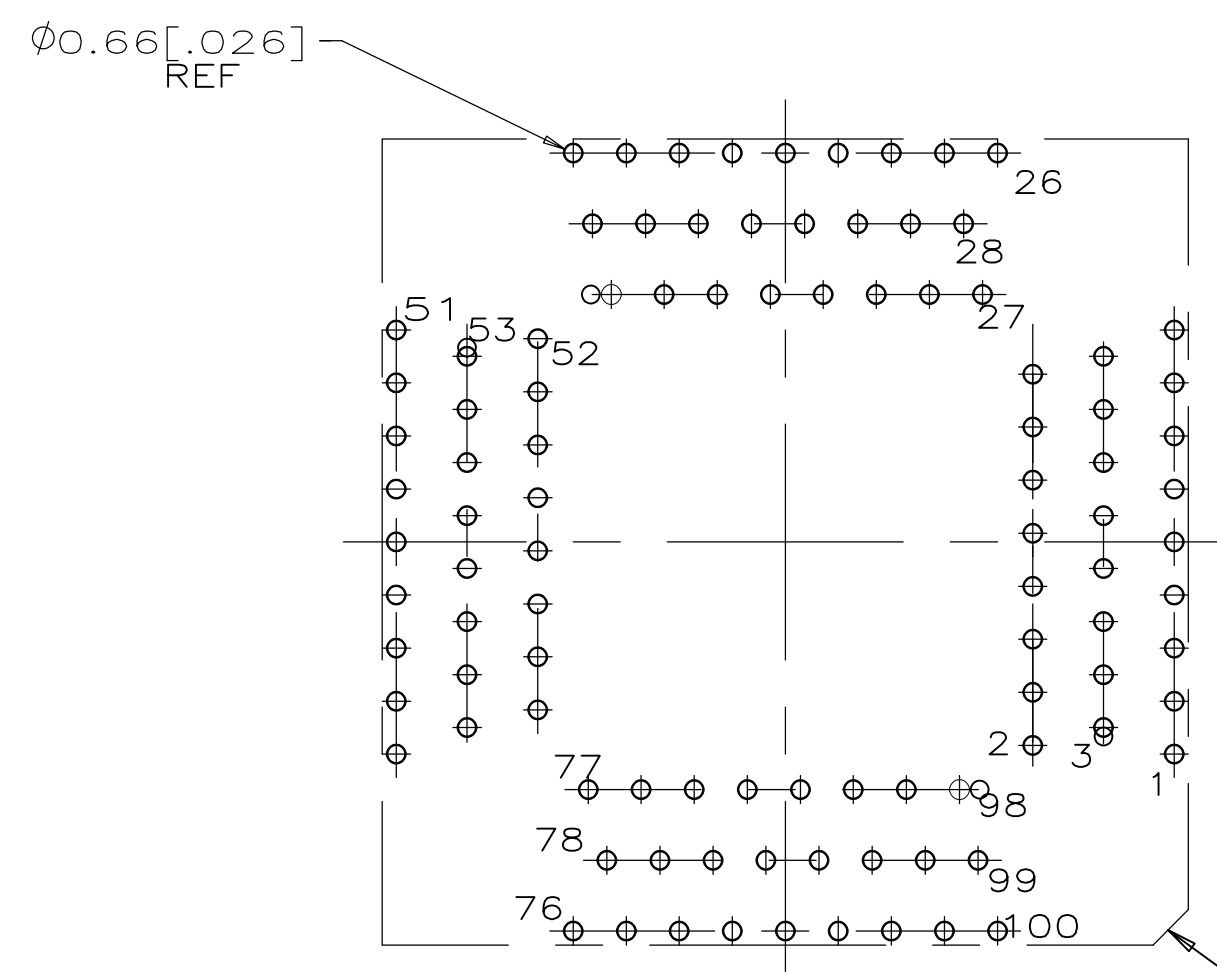


CHIP POLARIZATION REFERENCE VIEW
 (PIN NUMBERING ON THIS SHEET ARE FOR
 CENTER LOCATION OF PIN 1 IDENTIFIER)

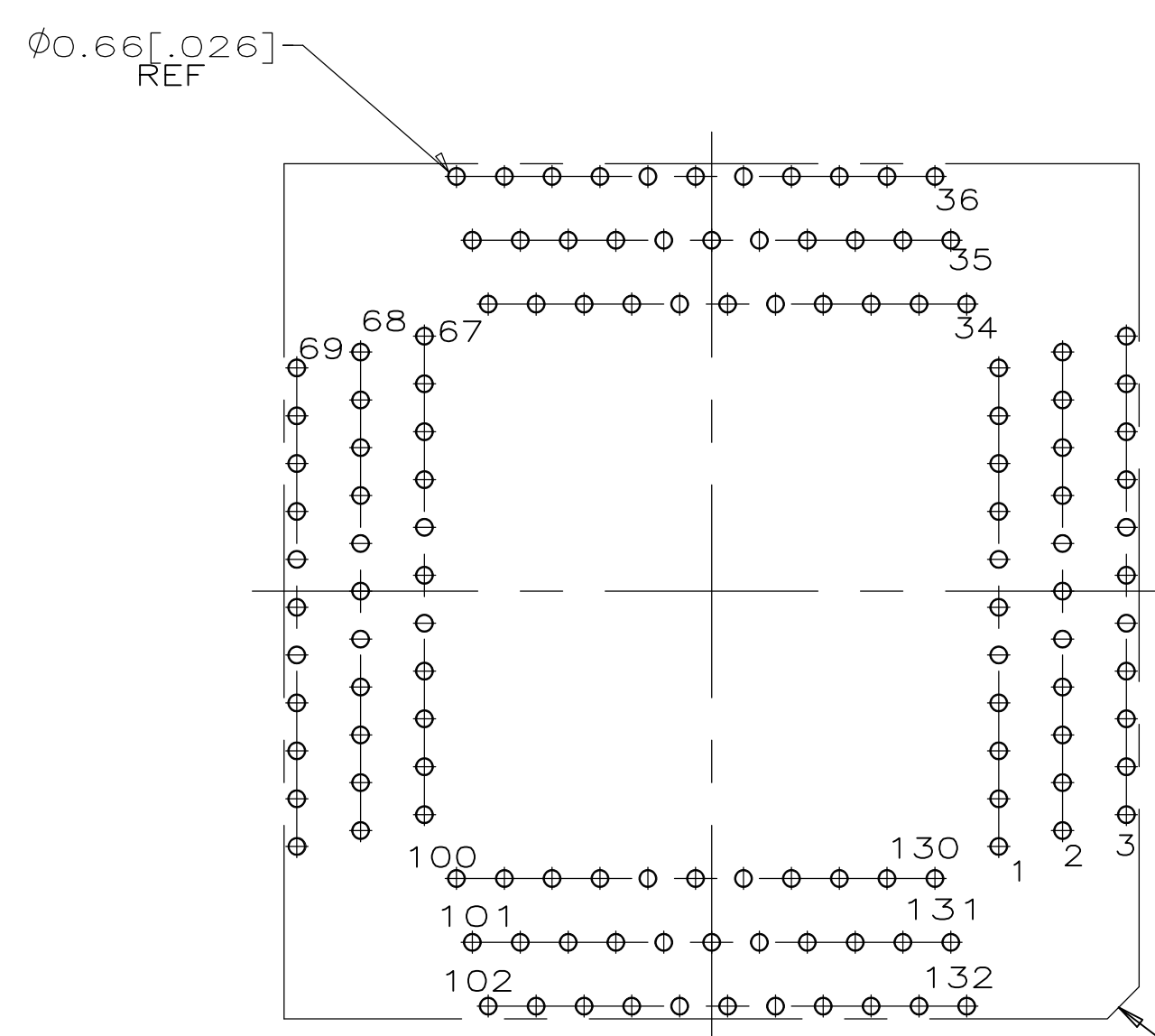


DETAIL C
 (TYP FOR ALL POSITIONS)
 SCALE 5:1

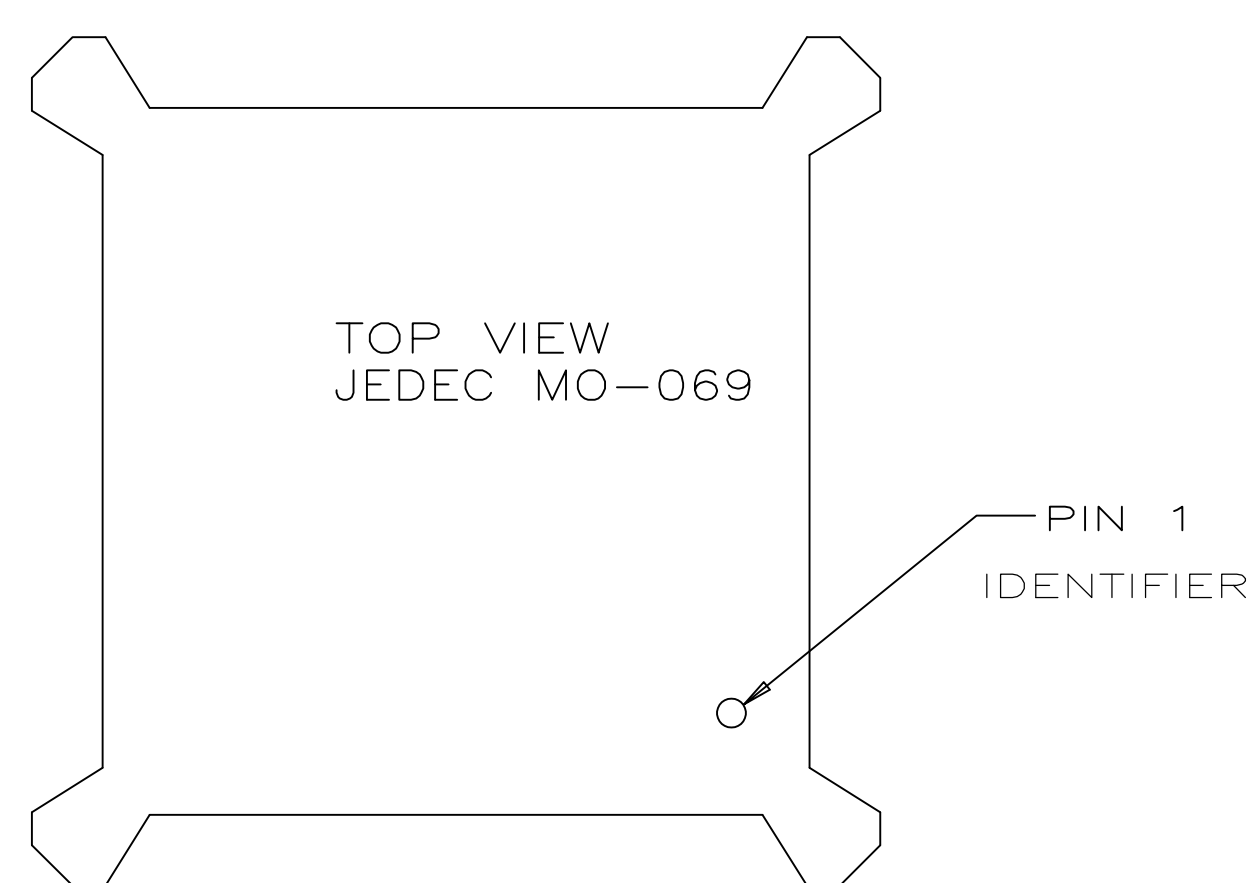
THIS DRAWING IS A CONTROLLED DOCUMENT.		DWN K. SALMON 10-4-90	TE Connectivity
DIMENSIONS: INCHES		CHK R. MILLER 10-5-90	
TOLERANCES UNLESS OTHERWISE SPECIFIED:		APVD F. BOYD 10-5-90	NAME MICRO-PITCH SOCKET .025 C/L, PQFP GULLWING, HOUSING SUB-ASSEMBLY
0 PL C ± - 1 PL C ± - 2 PL C ± - 3 PL C ± 0.1 [0.005] 4 PL C ± - ANGLES ± -		APPLICATION SPEC	RESTRICTED TO
MATERIAL	FINISH	WEIGHT	SIZE A1 00779 C=821949
CUSTOMER DRAWING		SCALE 10:1	SHEET 2 OF 3 REV N1



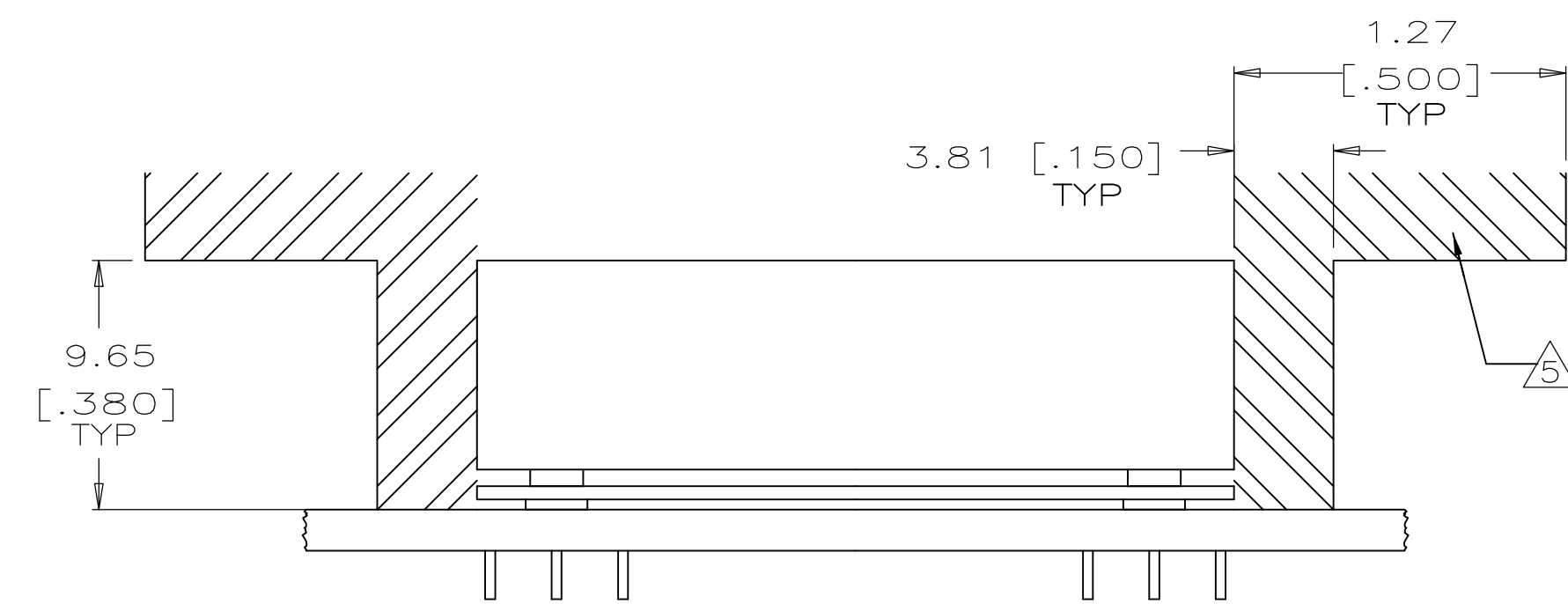
RECOMMENDED P.C. BOARD HOLE PATTERN
 SOCKET SIDE
 100 POSN.
 SEE SHEET 2 100 POSN FOR DIMENSIONS



RECOMMENDED P.C. BOARD HOLE PATTERN
 SOCKET SIDE
 132 POSN.
 SEE SHEET 2 132 POSN FOR DIMENSIONS



CHIP POLARIZATION REFERENCE VIEW
 (PIN NUMBERING ON THIS SHEET IS FOR OFF CENTER LOCATION OF PIN 1 IDENTIFIER)



MICRO-PITCH SOCKET

THIS DRAWING IS A CONTROLLED DOCUMENT.		DWG	K. SALMON	10-4-90	TE Connectivity
		CHK	R. MILLER	10-5-90	
DIMENSIONS: INCHES		TOLERANCES UNLESS OTHERWISE SPECIFIED:		NAME	MICRO-PITCH SOCKET .025 C/L PQFP GULLWING, HOUSING SUB-ASSEMBLY
0 PL C ± - 1 PL C ± - 2 PL C ± - 3 PL C ± 0.12 [.005] 4 PL C ± - ANGLES ± -		APVD F. BOYD 10-5-90		SIZE	
MATERIAL		FINISH		WEIGHT	RESTRICTED TO
				A1 00779 C=821949	SCALE 10:1 SHEET 3 OF 3 REV N1
CUSTOMER DRAWING					