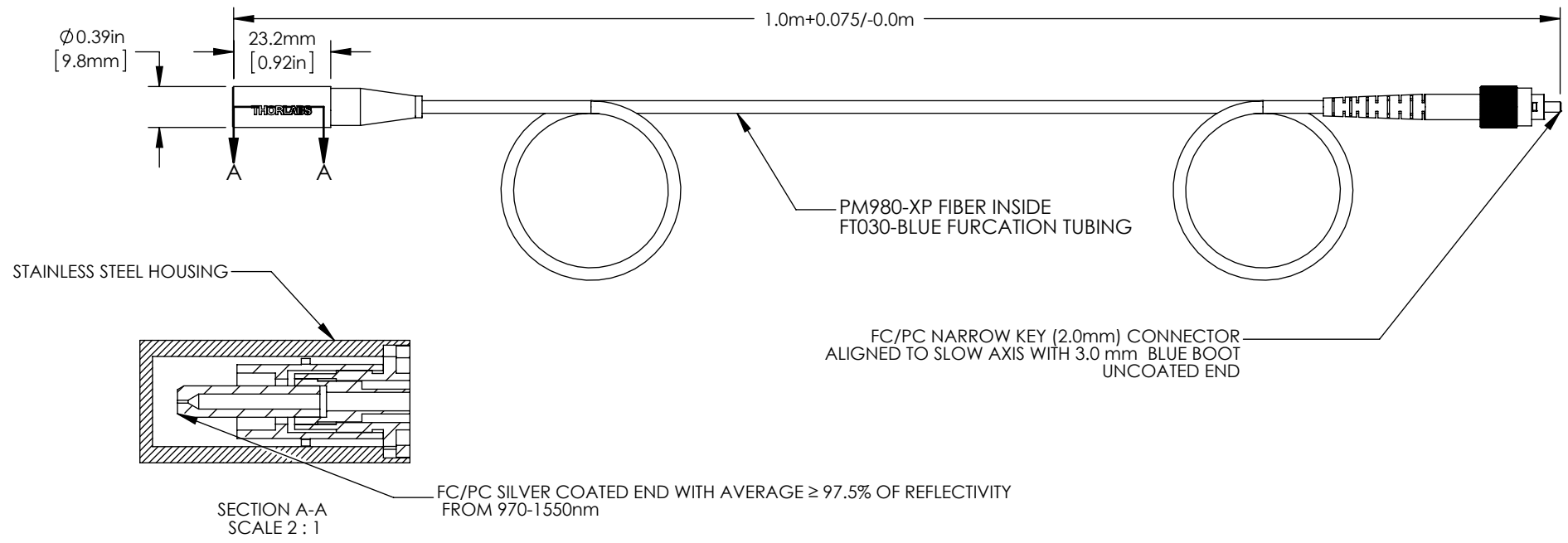


FIBER SPECIFICATIONS						
ITEM #	OPERATING WAVELENGTH	MODE FIELD DIAMETER	CLADDING	COATING	CUTOFF WAVELENGTH	NA
PM980-XP	970 - 1550 nm	$7.2 \pm 0.7 \mu\text{m}$ @ 1064 nm	$125 \pm 1 \mu\text{m}$	$245 \mu\text{m} \pm 15 \mu\text{m}$	$920 \pm 50 \text{ nm}$	0.12

\*SPECIFICATIONS BASED ON BARE-FIBER DATA.  
 A. OPERATING WAVELENGTH IS TYPICALLY 200 NM ABOVE THE CUTOFF WAVELENGTH.  
 B. MFD IS A NOMINAL, CALCULATED VALUE, ESTIMATED AT THE OPERATING WAVELENGTH(S) USING A TYPICAL VALUE OF NA & CUTOFF WAVELENGTH



**CABLE SPECIFICATIONS**

CENTER WAVELENGTH	1060 nm
MAX INSERTION LOSS*	0.7 dB
MIN EXTINCTION RATIO*	20 dB
CONNECTOR TYPE	FC/PC
KEY WIDTH	NARROW (2.0 mm)
KEY ALIGNMENT	SLOW AXIS
OPERATING TEMPERATURE °C	0 to 70 °C
STORAGE TEMPERATURE °C	-45 to 85 °C

\*EACH CABLE INCLUDES INDIVIDUAL TEST DATA

FOR INFORMATION ONLY  
 NOT FOR MANUFACTURING PURPOSES

DRAWING PROJECTION			 <a href="http://www.thorlabs.com">www.thorlabs.com</a>	
NAME	DATE			
DRAWN	JB	02/FEB/13	PM RETROREFLECTOR CABLE, 970 - 1550 nm, FC/PC, 1m	
APPROVAL	KH	17/JUL/13	MATERIAL	N/A
COPYRIGHT © 2013 BY THORLABS			ITEM #	APPROX WEIGHT
VALUES IN PARENTHESIS ARE CALCULATED AND MAY CONTAIN ROUND OFF ERRORS			P1-1060PMR-P01-1	30 g
			REV	B