

Vertical Male Connector, 5 Row, Types A, B and C

Vertical Male Connectors

Types A, B and C male connectors will mate with right angle female and vertical female connectors shown on pages 13 and 27 respectively.

5 Row Versions

Type A has 110 signal pins with center guiding and keying facility. Type B has 125 signal pins and Type C has 55 signal pins and guiding features. All are end stackable without change in contact pitch according to the chart on page 9.

5+2 Row Versions

For use with females with ground return shields and contacts in rows z and f in addition to those above.

Short Tail Versions

Standard versions have contact option A in rows a-e with option C in rows z and f on 5+2 row versions.

Feedthrough Versions

For midplane and rear cable connection. 5 row versions mate with unshielded female connectors and 5 row cable connectors. 5+2 row versions mate with female connectors having ground return shields or 5+2 row shielded cable connectors. Standard versions use contact options K and T instead of A and C.

Mylar tail guides can be fitted to feedthrough posts to aid assembly to the board.

For versions other than those shown, refer to page 47 which gives access to other sizes and loading patterns.

End caps are available for use with special versions of types A and B connectors. Consult Tyco Electronics.

Performance Data pages 6-7.

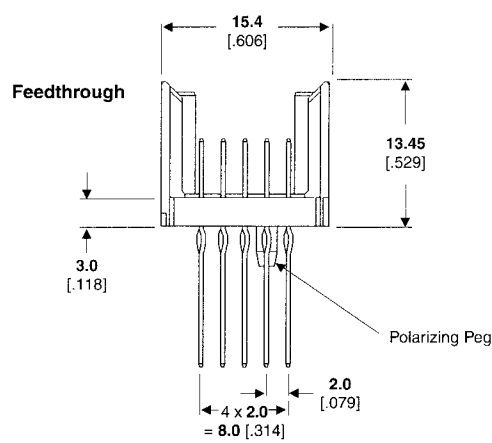
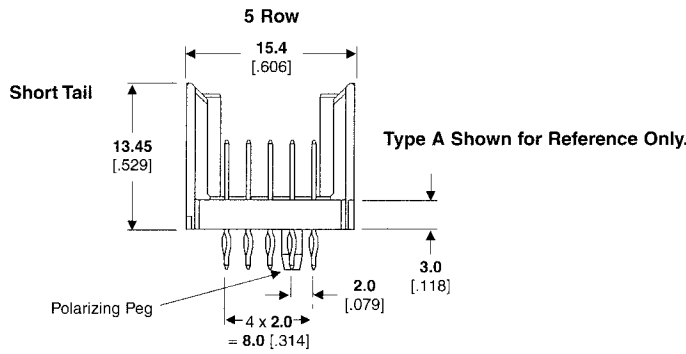
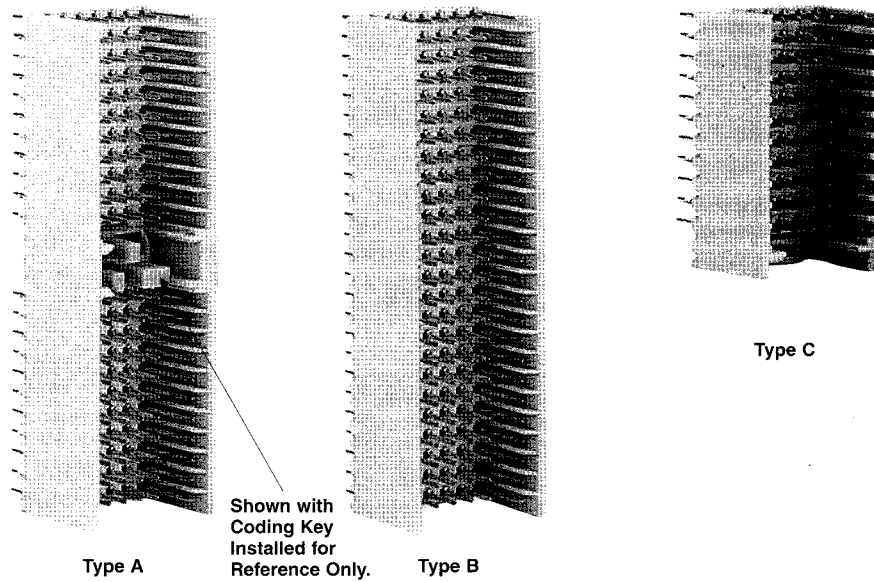
Materials and Finish

Glass filled polyester housing, gray, UL94 V-0 rated
 Phosphor-bronze signal contacts
 Contact area 0.8µm [.000030] Au over 1.3µm [.000050] Ni
 ACTION PIN Contact 0.5µm [.000020] Sn/Pb over 1.3µm [.000050] Ni

Coding keys for type A page 47.

Board layout page 69 for guidance only.

Protection covers available see page 33.



Description	Part Numbers			
	Short Tail		Feedthrough	
	5 Row	5+2 Row	5 Row	5+2 Row
Type A (with locating peg)	100143-1	100668-1	106164-1	106509-1
Type B (25)	100141-1	100669-1	106165-1	106510-1
Type B (19)	1392175-1	352869-1	—	—
Type B (22)	352639-1	352638-1	—	—
Type C	100159-1	106081-1	106303-1	188637-1

For VME64 and C-PCI versions, see page 48.