

# TACT Switch

## DTS Series



### Features:

- Sharp click feel with a positive tactile feedback
- Due to small movement distance (stroke), user experiences distinct sensation when the switch "clicks" into place
- Ultraminiature and light weight structure suitable for high density mounting. Economic but high reliability
- Insert moulding in the contact with special treatment prevents flux build-up during soldering and permits auto-dipping

### Specifications:

#### Mechanical:

Operation Force	: 260 ±50gf Red (R) 100 ±50gf Black (K)
Stroke	: (6 × 6) 0.25 (+0.2mm/-0.1mm)
Operating Temperature Range	: -25°C to +70°C
Storage Temperature Range	: -30°C to +80°C

#### Electrical:

Electrical Life	: 50,000 cycles for 260gf 500,000 cycles for 100gf
Contact Resistance	: 100mΩ maximum
Insulation Resistance	: 100MΩ minimum at 500V DC
Dielectric Strength	: 250V AC/1 minute
Contact Arrangement	: 1 Pole 1 throw

#### Materials:

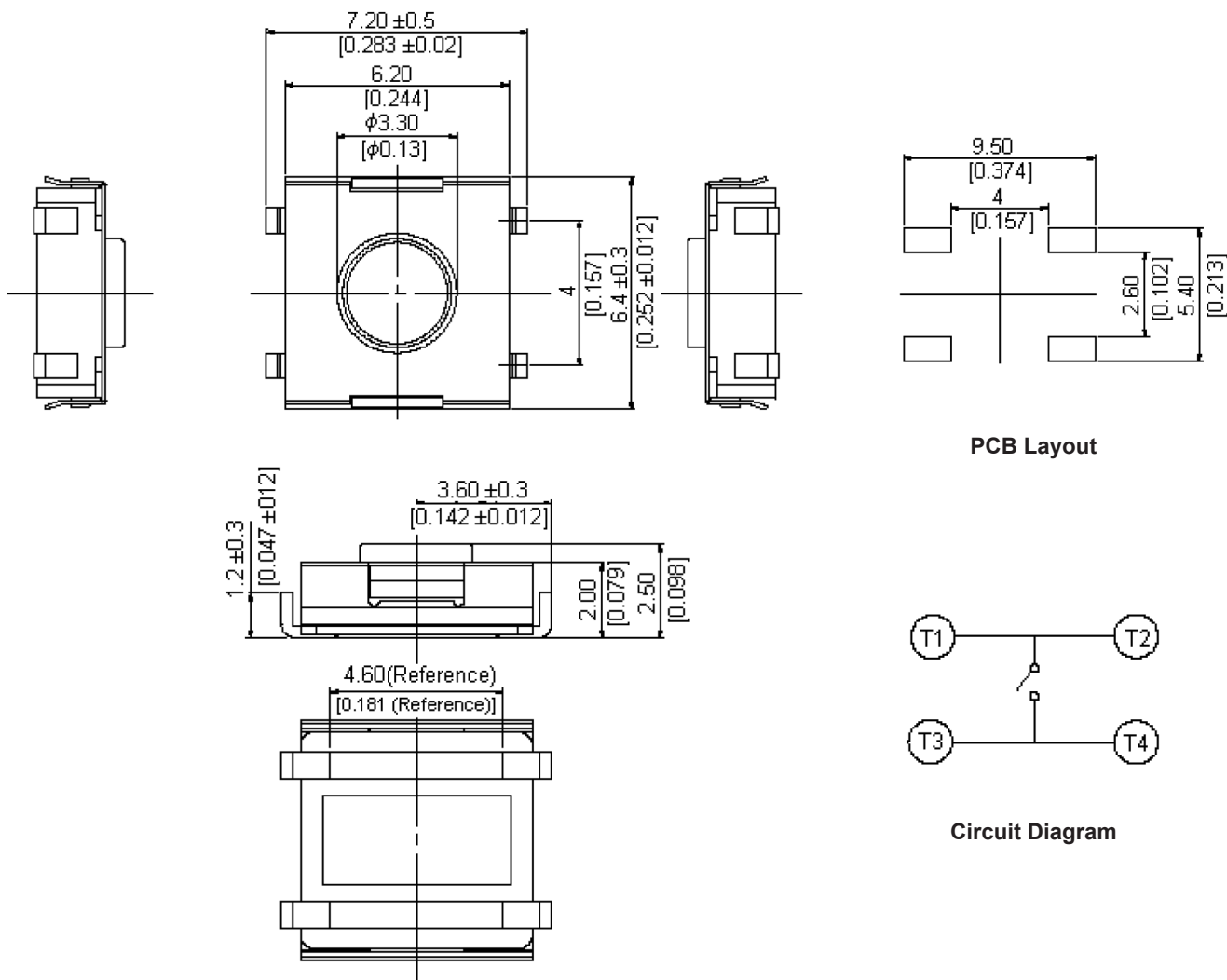
Cover	: Steel, tin plated
Base	: Nylon thermoplastic
Colour	: Black
Stem	: Nylon thermoplastic
Colour	: Black (100gf) and Red (260gf)
Contact Disc	: Phosphor bronze with silver cladding
Terminal	: Brass with silver cladding

# TACT Switch

## DTS Series



### DTSL-61R-B



Dimensions : Millimetres (Inches)

General Tolerance Maximum  $\pm 0.20\text{mm}$

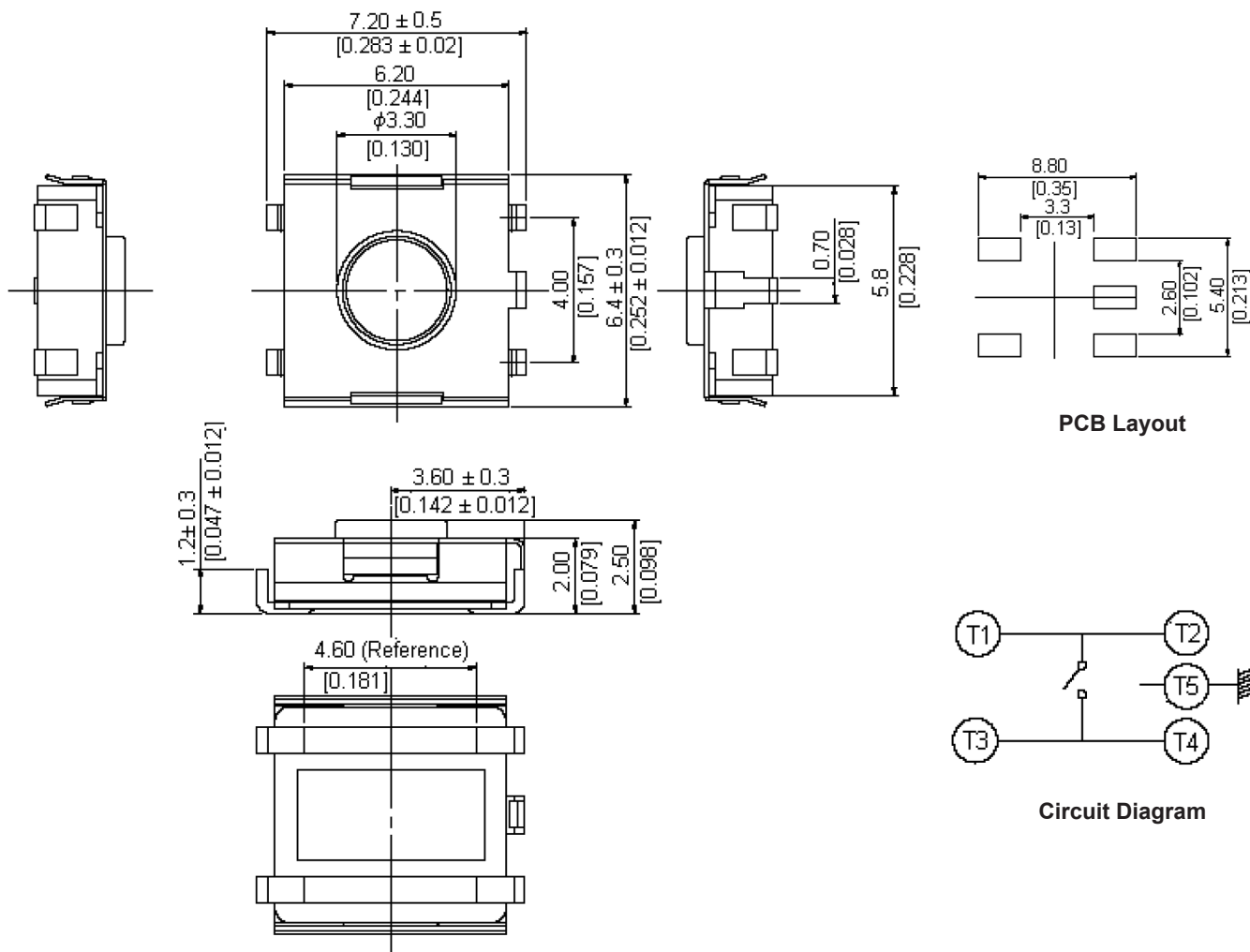


# TACT Switch

## DTS Series



### DTSGL-61K-B



Dimensions : Millimetres (Inches)

General Tolerance Maximum  $\pm 0.20$ mm



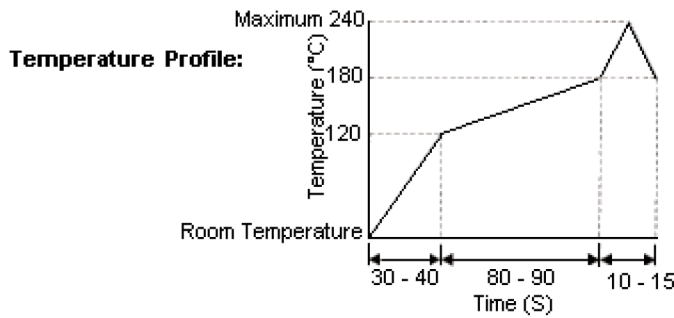
# TACT Switch

## DTS Series



### Soldering Process:

Hand Soldering : Use a soldering iron of 30 watts, controlled at 608°F (320°C) approximately 2 seconds while applying solder  
 Reflow Soldering : When applying reflow soldering, the peak temperature or the reflow oven should be set to 240°C maximum  
 Condition for soldering (Reflow and non-washable type)



### Part Number Table

Description	Rating	Part Number
Tactile Switch, SPNO, SMD	50mA at 12V DC	DTSG-61K-B
		DTSL-61R-B

**Important Notice :** This data sheet and its contents (the "Information") belong to the members of the Premier Farnell group of companies (the "Group") or are licensed to it. No licence is granted for the use of it other than for information purposes in connection with the products to which it relates. No licence of any intellectual property rights is granted. The Information is subject to change without notice and replaces all data sheets previously supplied. The Information supplied is believed to be accurate but the Group assumes no responsibility for its accuracy or completeness, any error in or omission from it or for any use made of it. Users of this data sheet should check for themselves the Information and the suitability of the products for their purpose and not make any assumptions based on information included or omitted. Liability for loss or damage resulting from any reliance on the Information or use of it (including liability resulting from negligence or where the Group was aware of the possibility of such loss or damage arising) is excluded. This will not operate to limit or restrict the Group's liability for death or personal injury resulting from its negligence. Multicomp is the registered trademark of the Group. © Premier Farnell plc 2012.

