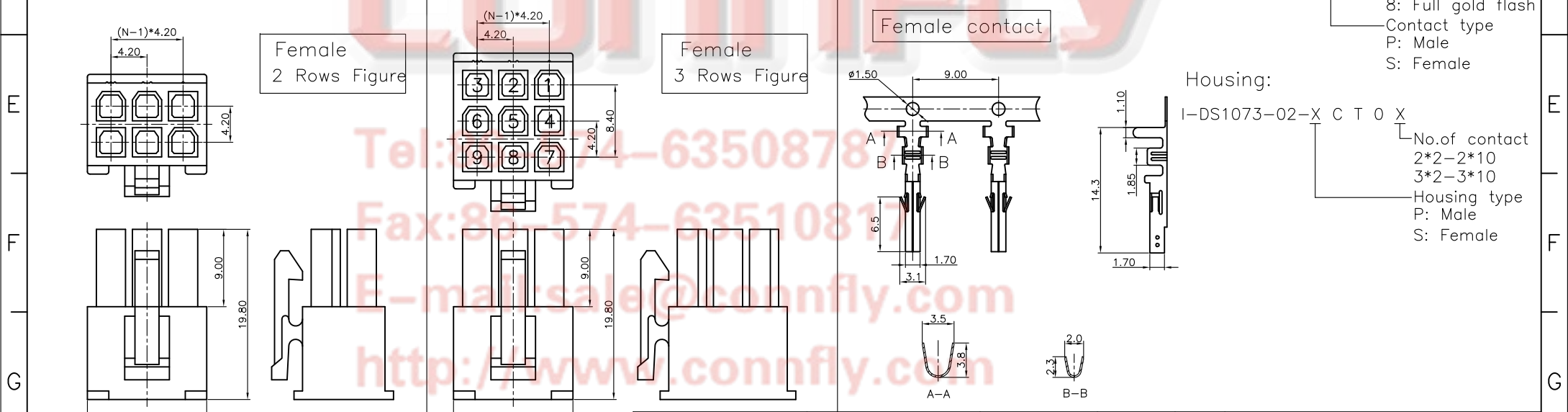
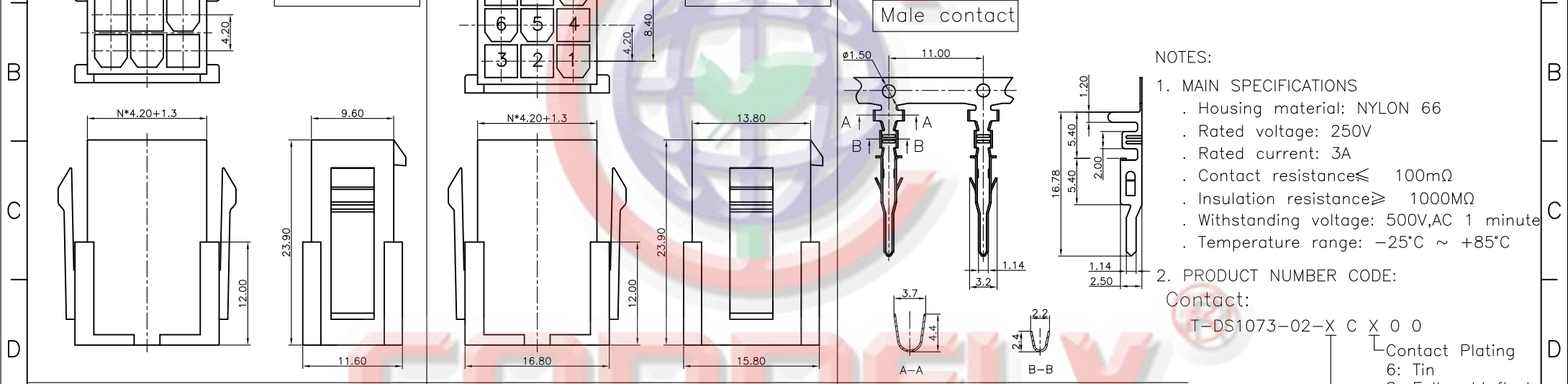


REV.	DESCRIPTION	DRAWN	CHECKED	APPROVED
A	NEW RELEASE	YCH 12/15/07'	~	LJC 12/15/07'
B	DRAWING UPDATE	JLZ 06/28/17'	~	



- NOTES:
1. MAIN SPECIFICATIONS
    - Housing material: NYLON 66
    - Rated voltage: 250V
    - Rated current: 3A
    - Contact resistance  $\leq 100m\Omega$
    - Insulation resistance  $\geq 1000M\Omega$
    - Withstanding voltage: 500V, AC 1 minute
    - Temperature range:  $-25^{\circ}C \sim +85^{\circ}C$
  2. PRODUCT NUMBER CODE:
 

Contact:

T-DS1073-02-X C X 0 0

    - C: Contact Plating
    - 6: Tin
    - 8: Full gold flash
    - Contact type
    - P: Male
    - S: Female

Housing:

I-DS1073-02-X C T 0 X

    - X: No. of contact
    - 2\*2-2\*10
    - 3\*2-3\*10
    - Housing type
    - P: Male
    - S: Female

GENERAL TOLERANCE	ANGLE TOLERANCE	PROJECTION	TITLE	ATX CONNECTOR PITCH 4.2mm
X. $\pm 0.60$	X. $\pm 5^{\circ}$	UNITS	mm	Crimp typr
.X $\pm 0.38$	.X $\pm 3^{\circ}$	SHEET SIZE	A4	SERIES DS1073-02 SERIES
.XX $\pm 0.25$	.XX $\pm 2^{\circ}$	DRAWING TYPE CUSTOMRE		
DRAWING NO. C-DS1073-02-XXXXX-B		SCALE 1:1 SHEET 1 OF 1		

**晨翔电子有限公司**  
**CONNFLY CONNFLY ELECTRONIC CO. LTD**