

Prototype Sample
 Engineering Sample
 Technical Product
 Mas product

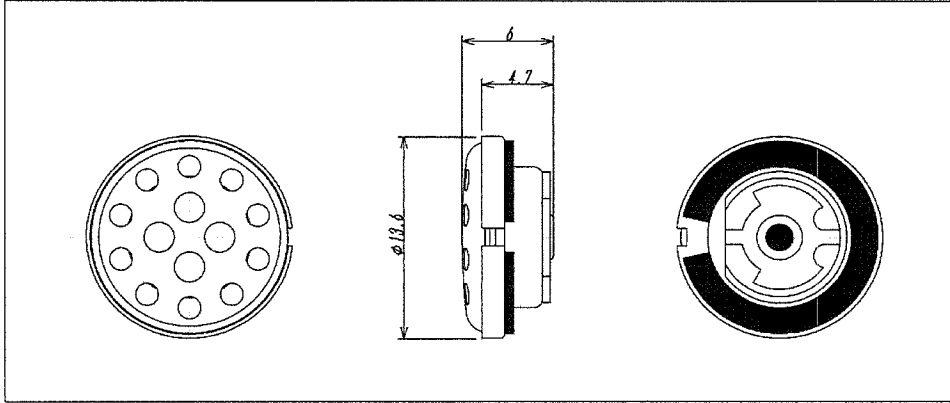
SPECIFICATION

No. 0715 & 9

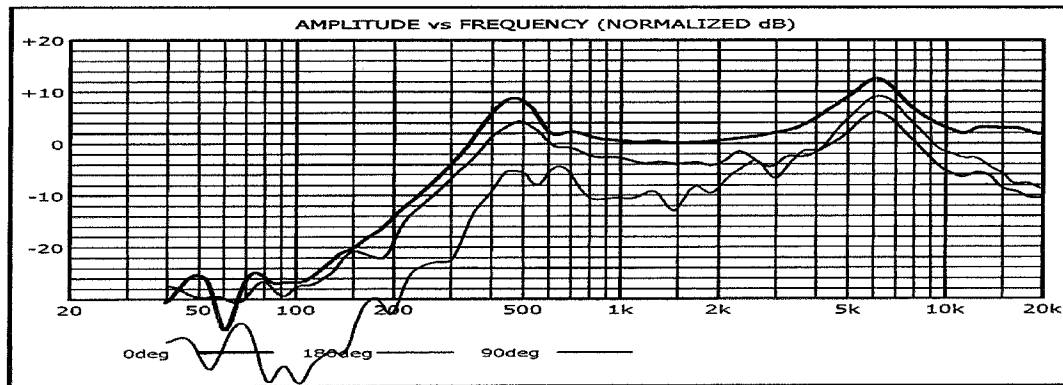
Model SP-15 250Ω

Type Dynamic (moving coil)

Outer Appearance and Dimensions (unit : mm)



Frequency Response



Electrical Specifications

Impedance	250Ω ± 10%	at 1kHz
Sensitivity	-75dB ± 3dB	0dB = 1V/Pa at 1kHz
Frequency Range	300Hz ~ 10kHz	
Polar Pattern	Noise-Cancellation	Bi-directional
Weight	2.0g	

Notices

DCR = 250Ω ± 10%
 Diaphragm 16μm polyester that is matte on one side only
 Perforated with diaphragm protection

Disign	Drow	Appoval	NOV	30	2012	Tigonometry	unit (mm)	scale	Free
Saito	Ueno		MODEL	SP-15 250Ω				Four-leaf Co. LTD.	
				INITIAL PROTOTYPE					