

**PLEASE CHECK WWW.MOLEX.COM FOR LATEST PART INFORMATION**

**Part Number:** [560085-0101](#)  
**Status:** **Active**  
**Overview:** [DuraClik™ Connector System](#)  
**Description:** [DuraClik™ Crimp Terminal, Female, 22-26 AWG, Reel](#)

**Documents:**

[Drawing \(PDF\)](#) [Application Specification AS-560085-001-JP \(PDF\)](#)  
[Product Specification PS-502351-001 \(PDF\)](#) [RoHS Certificate of Compliance \(PDF\)](#)

**General**

Product Family [Crimp Terminals](#)  
 Series [560085](#)  
 Application [Power, Signal](#)  
 Crimp Quality Equipment [Yes](#)  
 Overview [DuraClik™ Connector System](#)  
 Product Name [DuraClik™](#)  
 UPC [887191151892](#)

**Physical**

Gender [Female](#)  
 Material - Metal [Phosphor Bronze](#)  
 Material - Plating Mating [Tin](#)  
 Material - Plating Termination [Tin](#)  
 Net Weight [48.880/mg](#)  
 Packaging Type [Reel](#)  
 Termination Interface: Style [Crimp or Compression](#)  
 Wire Insulation Diameter [1.40mm](#)  
 Wire Size AWG [22, 24, 26](#)  
 Wire Size mm² [0.34](#)

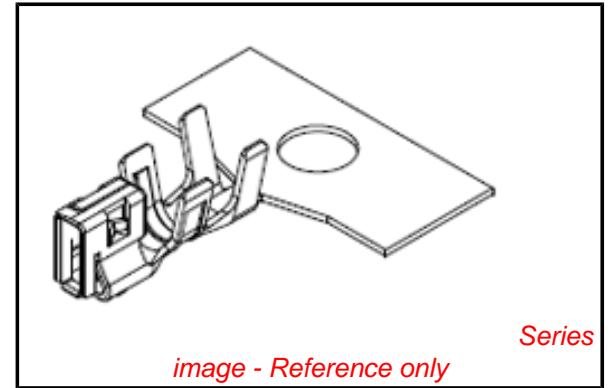
**Electrical**

Voltage - Maximum [125V](#)

**Material Info**

**Reference - Drawing Numbers**

Application Specification [AS-560085-001-JP](#)  
 Product Specification [PS-502351-001, RPS-502351-008-JP, RPS-502351-009-JP, RPS-502351-011-JP](#)  
 Sales Drawing [SD-560085-001](#)



**EU RoHS**

**ELV and RoHS Compliant**  
**REACH SVHC Contains SVHC: No**  
**Low-Halogen Status Low-Halogen**

**China RoHS**



**Need more information on product environmental compliance?**

Email [productcompliance@molex.com](mailto:productcompliance@molex.com)  
 For a multiple part number RoHS Certificate of Compliance, [click here](#)

Please visit the [Contact Us](#) section for any non-product compliance questions.

**Search Parts in this Series**

[560085Series](#)

**Use With**

[502351 DuraClik™ Wire-to-Board Receptacle Housing](#)

**Application Tooling | FAQ**

*Tooling specifications and manuals are found by selecting the products below. Crimp Height Specifications are then contained in the Application Tooling Specification document.*

**Global**

Description	Product #
Extraction Tool	<a href="#">0011030043</a>
FineAdjust™ Applicator	<a href="#">0638628000</a>
Hand Crimp Tool for 2.00mm Pitch Wire-to-Board Crimp Terminal	<a href="#">0638235100</a>

This document was generated on 04/30/2015

**PLEASE CHECK [WWW.MOLEX.COM](http://WWW.MOLEX.COM) FOR LATEST PART INFORMATION**