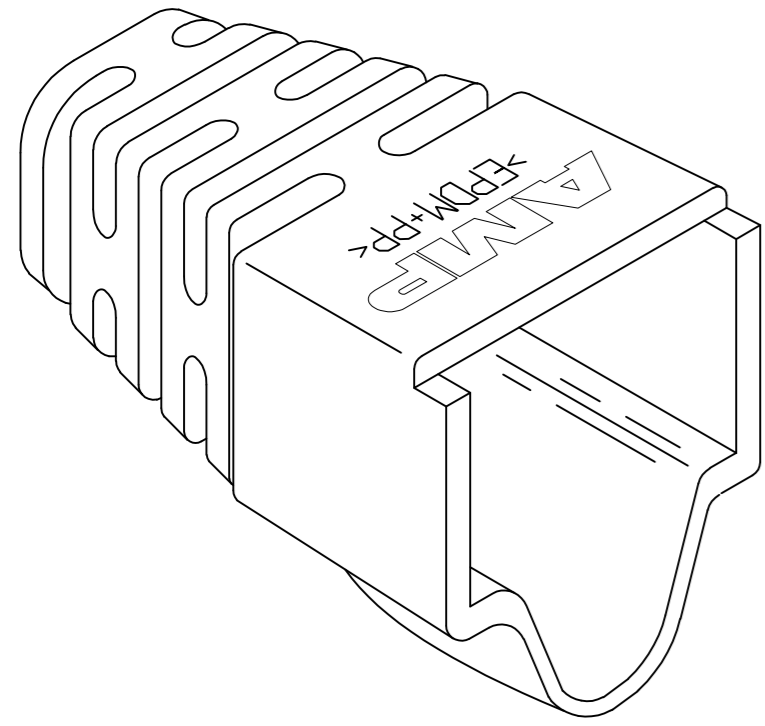
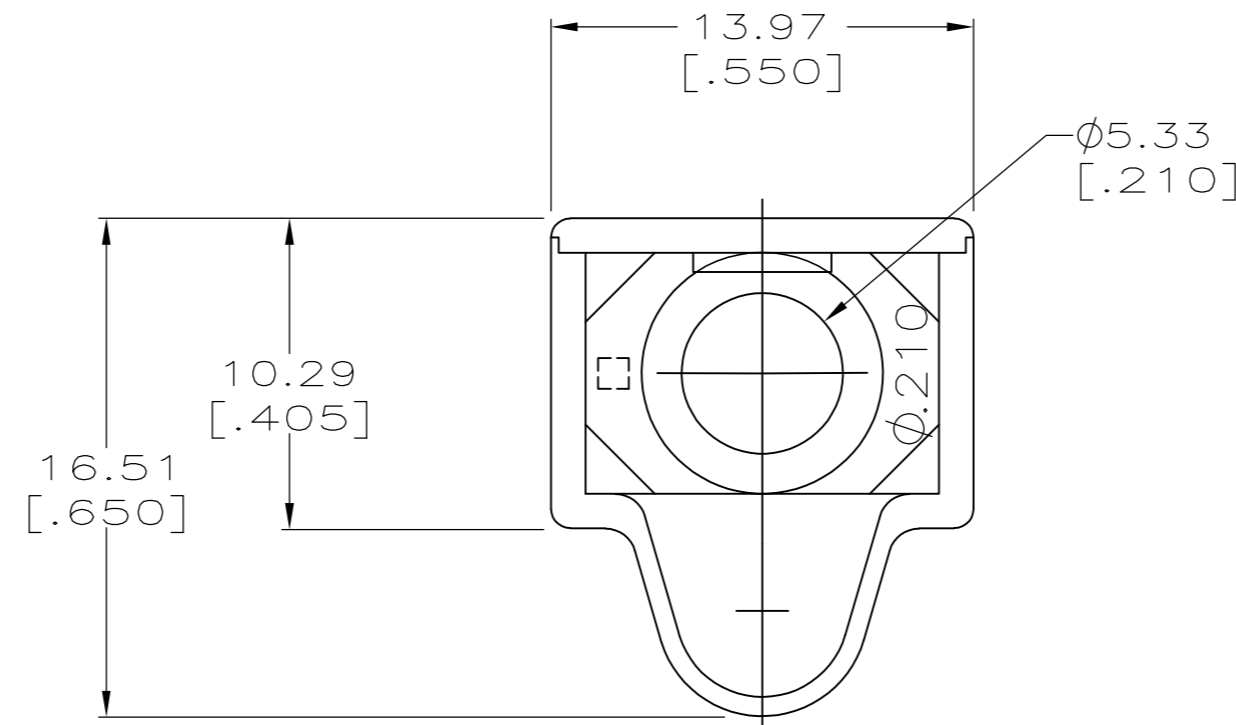
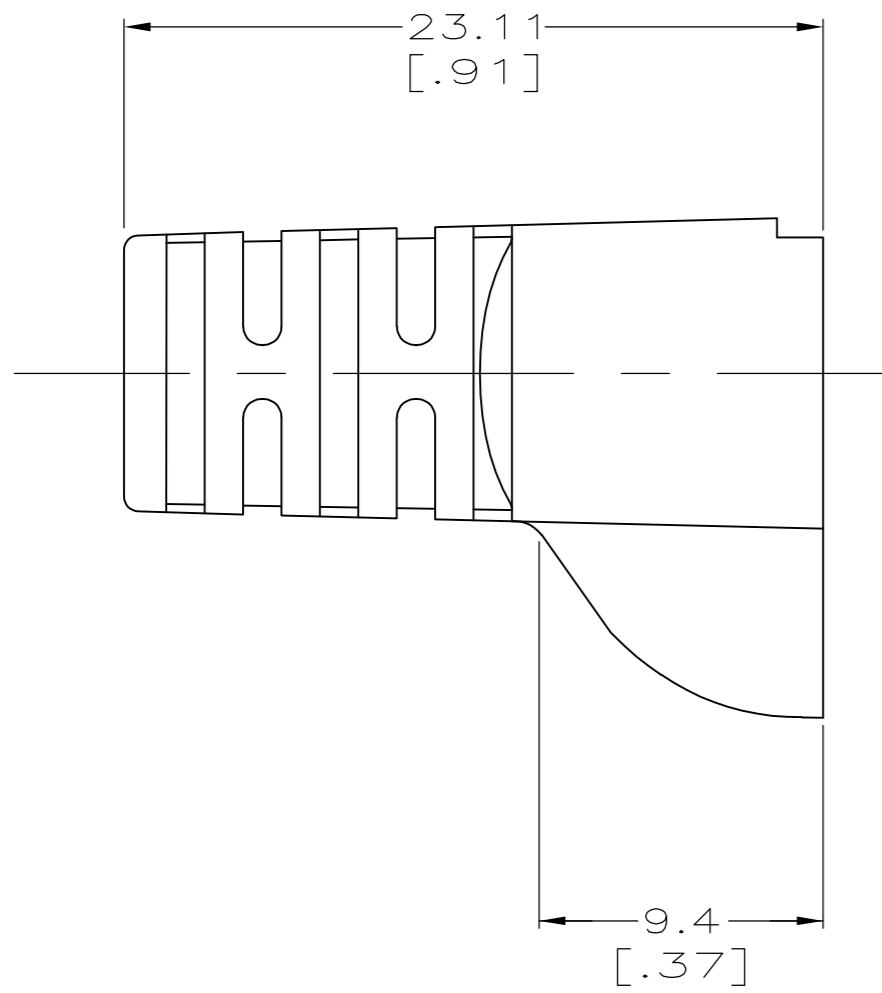


THIS DRAWING IS UNPUBLISHED. RELEASED FOR PUBLICATION
 © COPYRIGHT - By - ALL RIGHTS RESERVED.

LOC	DIST	REVISIONS					
		P	LTR	DESCRIPTION	DATE	DWN	APVD
AA	28	E2		ECO-13-012375	01AUG2013	JM	JG



- 1 MATERIAL: ELASTOMER POLYOLEFIN, SEE TABLE FOR COLOR.
- 2 DIMENSIONS ARE NOMINAL UNLESS OTHERWISE SPECIFIED.
- 3. BOOT DESIGNED TO FIT CABLE DIAMETER OF .210 NOMINAL.



NEMA GY	1-569875-0
VIOLET	569875-9
WHITE	569875-8
ORANGE	569875-7
YELLOW	569875-6
BLUE	569875-5
GREEN	569875-4
RED	569875-3
LT ALMOND	569875-2
BLACK	569875-1
COLOR	PART NUMBER

THIS DRAWING IS A CONTROLLED DOCUMENT.		DWN DL DRUMMOND 22 FEB 96	TE TE Connectivity																			
		CHK D. AHERON 07 MAR 96																				
		APVD B. ANTHONY 07 MAR 96	NAME BOOT, HOODED, Ø.210																			
DIMENSIONS: mm [INCHES]		TOLERANCES UNLESS OTHERWISE SPECIFIED:		SIZE A2																		
<table border="1"> <tr><td>0 PLC</td><td>±</td><td>-</td></tr> <tr><td>1 PLC</td><td>±</td><td>-</td></tr> <tr><td>2 PLC</td><td>±</td><td>-</td></tr> <tr><td>3 PLC</td><td>±</td><td>-</td></tr> <tr><td>4 PLC</td><td>±</td><td>-</td></tr> <tr><td>ANGLES</td><td>±</td><td>-</td></tr> </table>		0 PLC	±	-	1 PLC	±	-	2 PLC	±	-	3 PLC	±	-	4 PLC	±	-	ANGLES	±	-	PRODUCT SPEC		CAGE CODE 00779
0 PLC	±	-																				
1 PLC	±	-																				
2 PLC	±	-																				
3 PLC	±	-																				
4 PLC	±	-																				
ANGLES	±	-																				
MATERIAL		FINISH		DRAWING NO C=569875																		
		WEIGHT		RESTRICTED TO																		
		CUSTOMER DRAWING		SCALE 4:1 SHEET 1 OF 1 REV E2																		