

# Data sheet Product MK 01 10 G

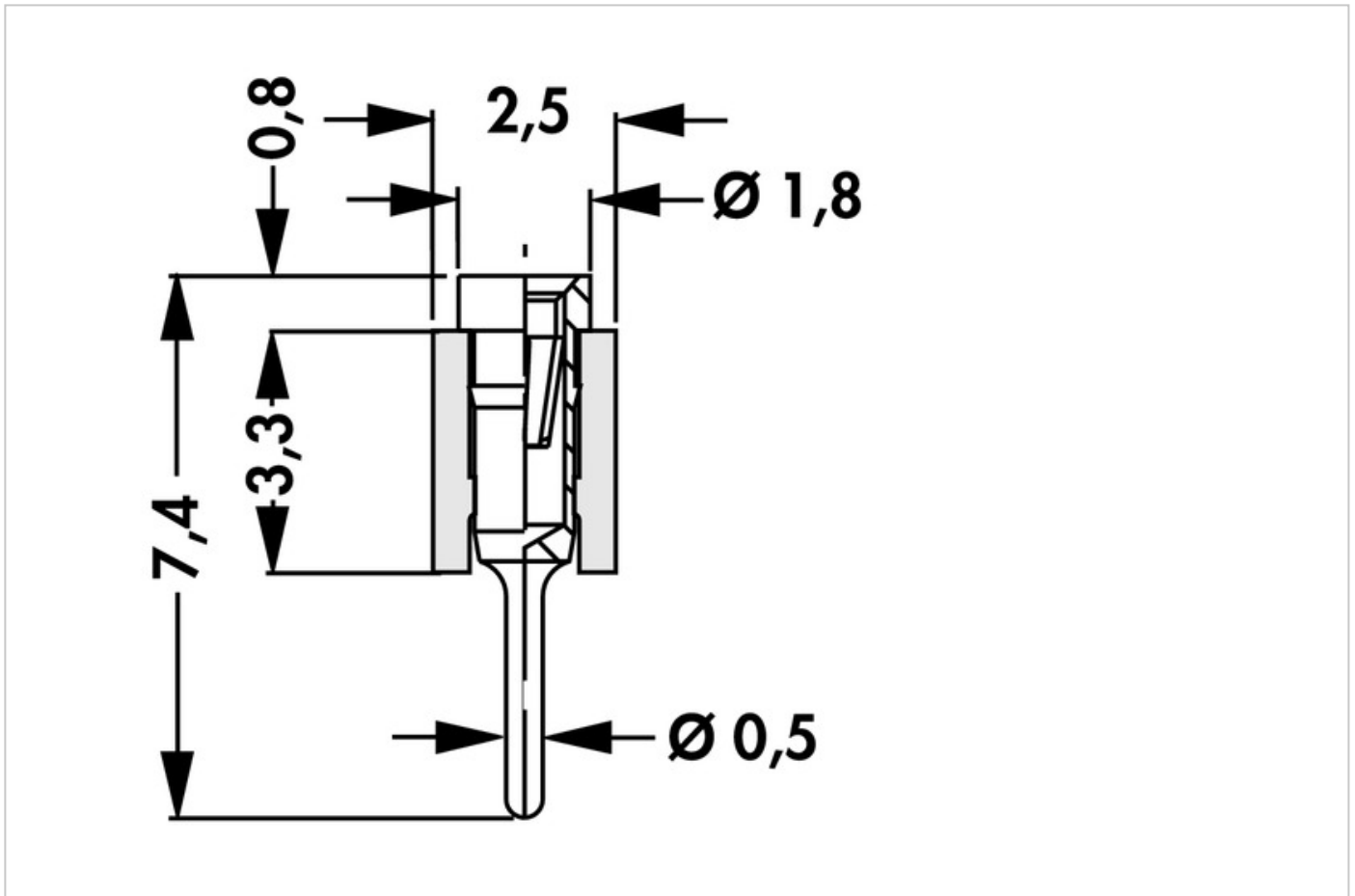


PCB connectors>Female headers  
for Multi-Layer, contact spring: gold-plated, one row, for Ø 0.5 mm

**Features**

grid:	<b>2.54 mm</b>
no. of contacts:	<b>10</b>
contact material:	<b>CuZn-alloy</b>
surface contact / contact sleeve:	<b>Ni+4...6µm Sn</b>
surface of contact:	<b>gold-plated</b>
inner contact spring material:	<b>CuBe-alloy</b>
inner contact spring surface:	<b>Ni+0,25µm Au</b>
type internal spring:	<b>4-fingers</b>
plugability for circuit points:	<ul style="list-style-type: none"> <li>• □0,22x0,25mm... □0,4x0,55mm</li> <li>• Ø0,4...0,56mm</li> </ul>
insert depth:	<b>2.5...3.6mm</b>
insertion / drawing force:	<b>1.8 N/1.4 N</b>
shock resistance:	<b>50 g</b>
volume resistance:	<b>≤10 mΩ</b>
vibration resistance max.:	<b>15 g</b>
capacity between two adjacent contacts:	<b>≤0,4 pF</b>
nominal current:	<b>1.5 A</b>
nominal voltage:	<b>60 V DC</b>
test voltage:	<b>1000 V</b>
insulating body material:	<b>PA 4.6. GF</b>
temperature range:	<ul style="list-style-type: none"> <li>• -40°C... +163°C</li> <li>• (260°C/10 s)</li> </ul>
class of inflammability:	<b>UL 94 V-0</b>
version:	<b>for multi-layer</b>
specific insulation resistance:	<b>&gt;10<sup>7</sup> Ω·m</b>
connection type:	<b>THT (soldering)</b>
reflow solderable:	<b>yes</b>

## Technical Drawing



Fischer Elektronik GmbH & Co. KG  
DEUTSCHLAND • GERMANY • ALLEMAGNE

Nottebohmstraße 28  
58511 Lüdenscheid

Telefon +49 2351 435-0  
Telefax +49 2351 45754

info@fischerelektronik.de  
www.fischerelektronik.de