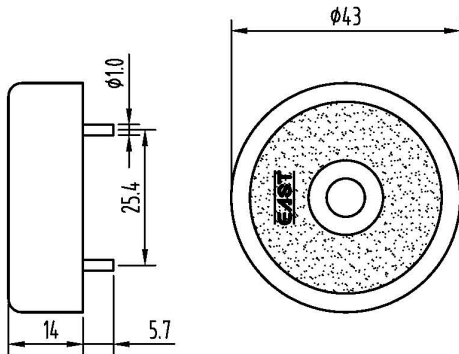
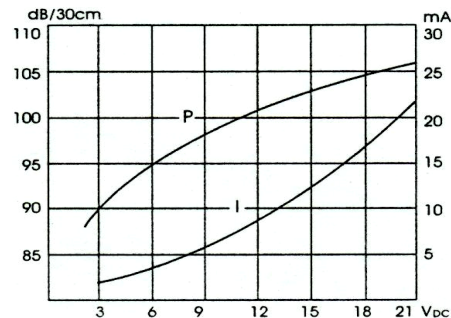


**Piezo Buzzer****EFM-230****DIMENSIONS: (Unit: mm)****FEATURES:**

- High Output
- Low Current Drain
- Wide Voltage Range

Rev.4**APPLICATIONS:**

- Automatic Control Equipment
- Communication Equipment
- Electronic Instruments

CHARACTERISTICS:**ELECTRICAL SPECIFICATIONS:***Min. Sound Pressure Level at*12V_{DC}/30cm.....100dB(A)Rated Voltage.....12V_{DC}Operating Voltage.....3~20V_{DC}Max. Consumption.....15mA/12V_{DC}

Oscillating Frequency.....2.9±0.5kHz

Tone Nature.....Continuous

Operating Temperature.....-20~+70°C

Case Material/Color.....ABS/Black

Weight.....11g

PACKING INFORMATION:

Packing: 500 pcs per export carton

Carton Size: 47x30.5x25 cm

G. Weight: 7.0 kgs N. Weight: 5.5 kgs

Address: No. 12. Lane 722. Sangtian Road Jiangdong, Ningbo, 315040 P. R. China

Sales Tel: +86-574-87809820(International)/87805605(Domestic)

Fax: +86-574-87803761



REVISION HISTORY				
REV	DESCRIPTION	ISSUED BY/DATE	CHECKED	APPROVED
3	RELEASE	JINYOULIANG May 21, 2008	ZHANGCHUNLEI	WANGJIANCHENG
4	Add "EAST" marking	WENGUANGJUN June 9, 2009	ZHANGCHUNLEI	WANGJIANCHENG