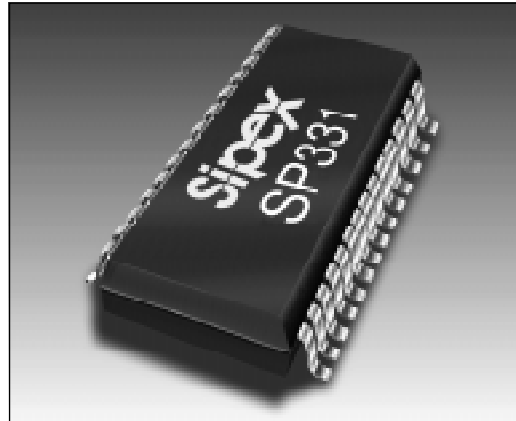


## Programmable RS-232/RS-485 Transceiver

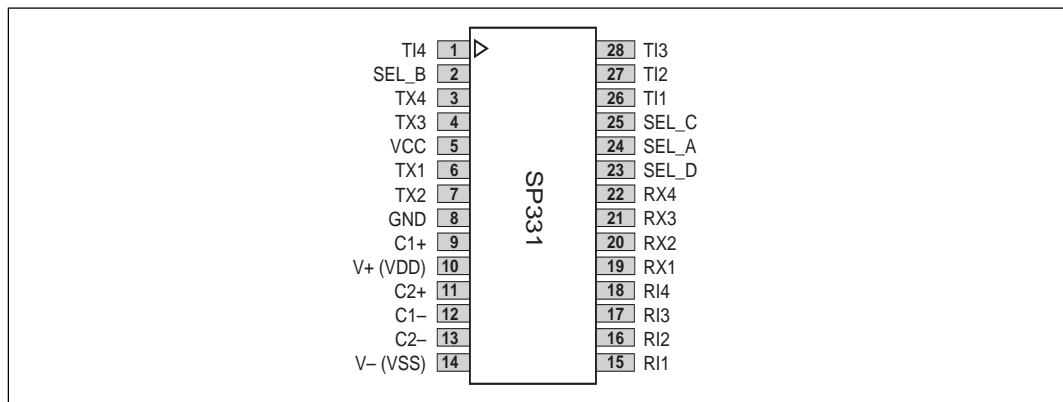
- +5V Only Operation
- Software Programmable RS-232 or RS-485 Selection
- Four RS-232 Transceivers in RS-232 Mode
- Two RS-485 Full-Duplex Transceivers in RS-485 Mode
- Two RS-232 Transceivers and One RS-485 Transceiver in Dual Mode
- Self-Testing Loopback Mode
- Full Driver Tri-State (Hi-Z) Control
- Ideal for RS-232 to RS-485 conversion



### DESCRIPTION...

The **SP331** is a programmable RS-232 and/or RS-485 transceiver IC. The **SP331** contains four drivers and four receivers when selected in RS-232 mode; and two drivers and two receivers when selected in RS-485 mode. The **SP331** also contains a dual mode which has two RS-232 drivers/receivers plus one differential RS-485 driver/receiver.

The RS-232 transceivers can typically operate at 230kbps while adhering to the RS-232 specifications. The RS-485 transceivers can operate up to 10Mbps while adhering to the RS-485 specifications. The **SP331** includes a self-test loopback mode where the driver outputs are internally configured to the receiver inputs. This allows for easy diagnostic serial port testing without using an external loopback plug. The RS-232 and RS-485 drivers can be disabled (High-Z output) by controlling a set of four select pins.



## ABSOLUTE MAXIMUM RATINGS

These are stress ratings only and functional operation of the device at these ratings or any other above those indicated in the operation sections of the specifications below is not implied. Exposure to absolute maximum rating conditions for extended periods of time may affect reliability.

V <sub>CC</sub> .....	+7V
Storage Temperature.....	-65°C to +150°C
Power Dissipation	
28-pin Plastic DIP.....	1000mW
28-pin Plastic SOIC.....	1000mW

### Package Derating:

28-pin Plastic DIP

∅<sub>JA</sub>.....40°C/W

28-pin Plastic SOIC

∅<sub>JA</sub>.....40°C/W

## SPECIFICATIONS

Typically 25°C @ V<sub>CC</sub> = +5V unless otherwise noted.

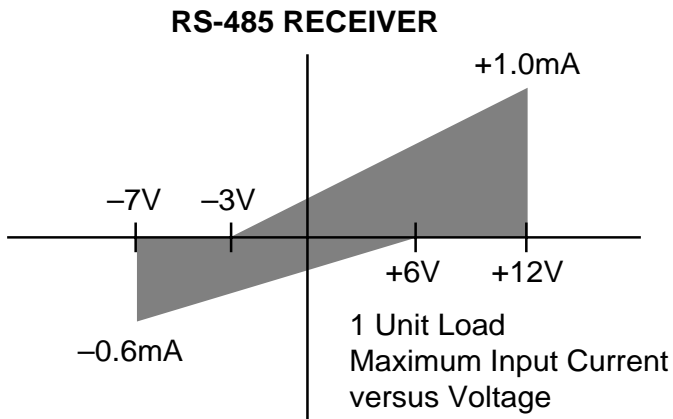
	MIN.	TYP.	MAX.	UNITS	CONDITIONS
<b>LOGIC INPUTS</b>					
V <sub>IL</sub>			0.8	Volts	
V <sub>IH</sub>	2.0			Volts	
<b>LOGIC OUTPUTS</b>					
V <sub>OL</sub>			0.4	Volts	I <sub>OUT</sub> = -3.2mA
V <sub>OH</sub>	2.4			Volts	I <sub>OUT</sub> = 1.0mA
<b>RS-232 DRIVER</b>					
<b>DC Characteristics</b>					
HIGH Level Output	+5.0		+15	Volts	R <sub>L</sub> =3kΩ, V <sub>IN</sub> =0.8V
LOW Level Output	-15.0		-5.0	Volts	R <sub>L</sub> =3kΩ, V <sub>IN</sub> =2.0V
Open Circuit Voltage	-15		+15	Volts	
Short Circuit Current			±100	mA	V <sub>OUT</sub> = 0V
Power Off Impedance	300			Ω	V <sub>CC</sub> = 0V, V <sub>out</sub> = ±2.0V
<b>AC Characteristics</b>					
Slew Rate			30	V/μs	R <sub>L</sub> =3kΩ, C <sub>L</sub> = 50pF
Transition Time			1.5	μs	V <sub>CC</sub> = +5.0V, T <sub>A</sub> @ +25°C
Maximum Data Rate	120	235		kbps	R <sub>L</sub> =3kΩ, C <sub>L</sub> =2500pF ;
Propagation Delay					between ±3V, T <sub>A</sub> @ +25°C
t <sub>PHL</sub>		2	8	μs	R <sub>L</sub> =3kΩ, C <sub>L</sub> =2500pF
t <sub>PLH</sub>		2	8	μs	Measured from 1.5V of V <sub>IN</sub>
					to 50% of V <sub>OUT</sub> ; R <sub>L</sub> =3kΩ
<b>RS-232 RECEIVER</b>					
<b>DC Characteristics</b>					
HIGH Threshold		1.7	3.0	Volts	
LOW Threshold	0.8	1.2		Volts	
Receiver Open Circuit Bias			+2.0	Volts	
Input Impedance	3	5	7	kΩ	V <sub>IN</sub> = +15V to -15V
<b>AC Characteristics</b>					
Maximum Data Rate	120	235		kbps	
Propagation Delay					
t <sub>PHL</sub>		0.25	1	μs	Measured from 50% of V <sub>IN</sub>
t <sub>PLH</sub>		0.25	1	μs	to 1.5V of V <sub>OUT</sub> .
<b>RS-485 DRIVER</b>					
<b>DC Characteristics</b>					
Open Circuit Voltage			6.0	Volts	
Differential Output	1.5		5.0	Volts	R <sub>L</sub> =54Ω, C <sub>L</sub> =50pF

# SPECIFICATIONS

Typically 25°C @ V<sub>CC</sub> = +5V unless otherwise noted.

	MIN.	TYP.	MAX.	UNITS	CONDITIONS
<b>RS-485 DRIVER</b> Balance Common-Mode Output Output Current Short Circuit Current  <b>AC Characteristics</b> Maximum Data Rate Output Transition Time Propagation Delay $t_{PHL}$ $t_{PLH}$ Driver Output Skew	28.0		±0.2 3.0  ±250	Volts Volts mA mA	$ V_{-}  -  V_{+} $  $R_L=54\Omega$ Terminated in -7V to +10V  $R_L=54\Omega$ Rise/fall time, 10%-90% See Figures 2 & 4 $R_{DIFF}=54\Omega, C_{L1}=C_{L2}=100pF$ $R_{DIFF}=54\Omega, C_{L1}=C_{L2}=100pF$ per Figure 4, $t_{SKEW} =  t_{DPLH} - t_{DPHL} $
<b>RS-485 RECEIVER</b> <b>DC Characteristics</b> Inputs Common Mode Range Receiver Sensitivity Input Impedance  <b>AC Characteristics</b> Maximum Data Rate Propagation Delay $t_{PHL}$ $t_{PLH}$ Differential Receiver Skew	-7.0 12  10	 ±0.2 15  130 130 10	+12.0 ±0.3  200 200 20	Volts Volts kΩ  Mbps ns ns ns	$-7V \leq V_{CM} \leq +12V$ $-7V \leq V_{CM} \leq +12V$  See Figures 2 & 6 $R_{DIFF}=54\Omega, C_{L1}=C_{L2}=100pF$ $R_{DIFF}=54\Omega, C_{L1}=C_{L2}=100pF$ $t_{SKEW} =  t_{PLH} - t_{PHL} ; R_{DIFF}=54\Omega,$ $C_{L1}=C_{L2}=100pF$
<b>ENABLE TIMING</b> <b>RS-485 Driver</b> Enable Time Enable to Low Enable to High Disable Time Disable From Low Disable From High		90 90 80 80	150 150 120 120	ns ns ns ns	See Figures 3 & 5 $C_L=15pF, S_1$ Closed $C_L=15pF, S_2$ Closed See Figures 3 & 5 $C_L=15pF, S_1$ Closed $C_L=15pF, S_2$ Closed
<b>POWER REQUIREMENTS</b> Supply Voltage V <sub>CC</sub> Supply Current I <sub>CC</sub> No Load (T <sub>x</sub> Disabled) No Load (RS-232 Mode) No Load (RS-485 Mode)	+4.75		+5.25  15 30 20	Volts mA mA mA	$SEL\_A \Rightarrow SEL\_D = "0001"$ $SEL\_A \Rightarrow SEL\_D = "0000"$ $SEL\_A \Rightarrow SEL\_D = "1100"$
<b>ENVIRONMENTAL</b> Operating Temperature Commercial (.C..) Industrial (.E..) Storage Temperature	0 -40 -65		+70 +85 +150	°C °C °C	

# RECEIVER INPUT GRAPH



## TEST CIRCUITS

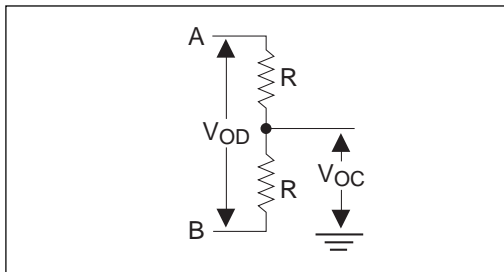


Figure 1. Driver DC Test Load Circuit

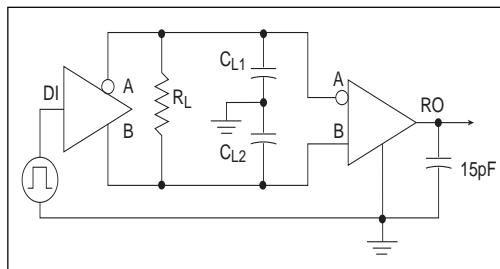


Figure 2. Driver/Receiver Timing Test Circuit

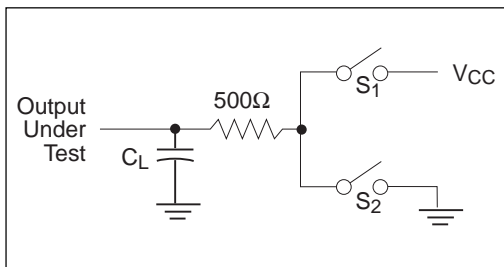


Figure 3. Driver Timing Test Load #2 Circuit

# SWITCHING WAVEFORMS

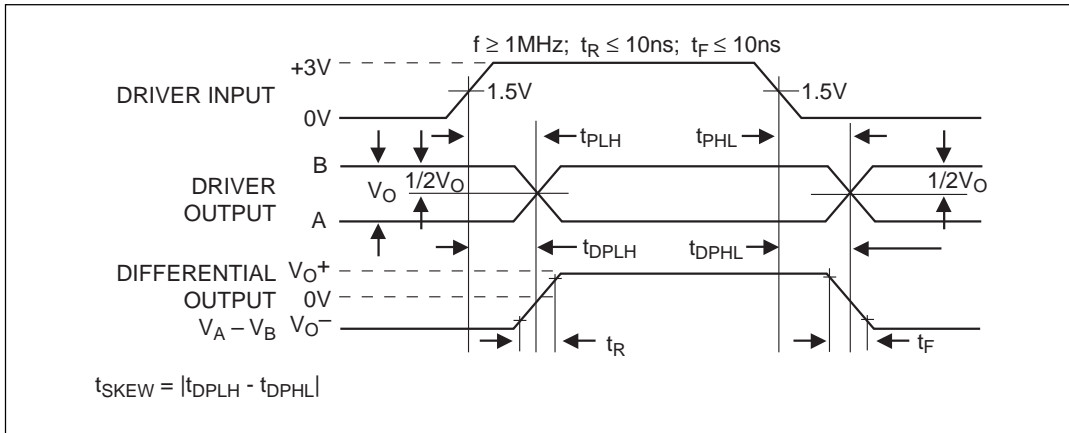


Figure 4. Driver Propagation Delays

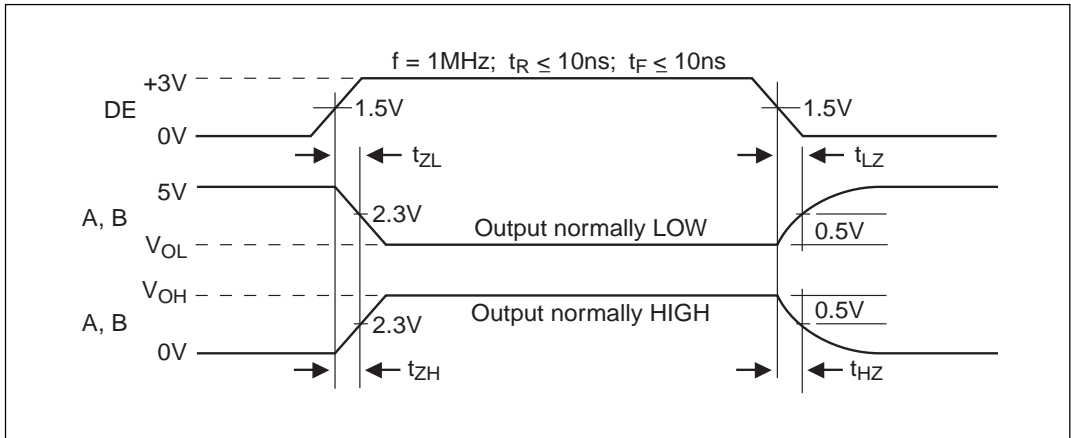


Figure 5. Driver Enable and Disable Times

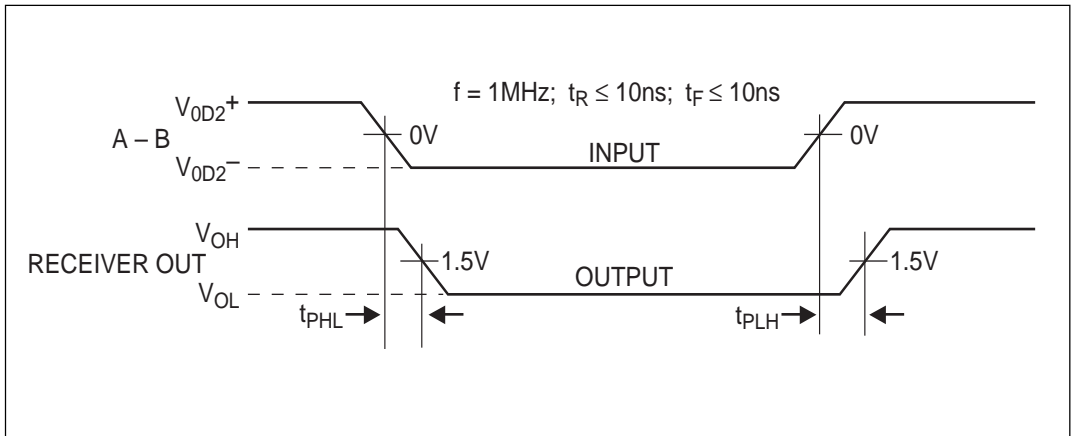


Figure 6. Receiver Propagation Delays

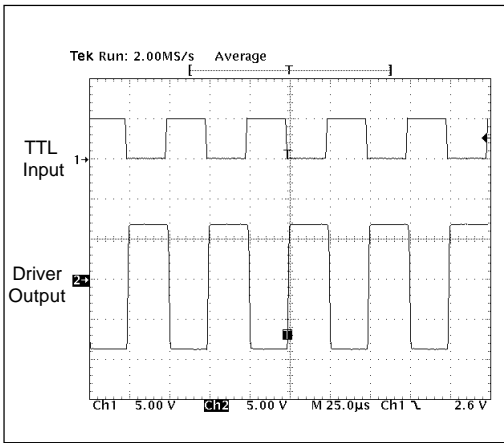


Figure 7. Typical RS-232 Driver Output

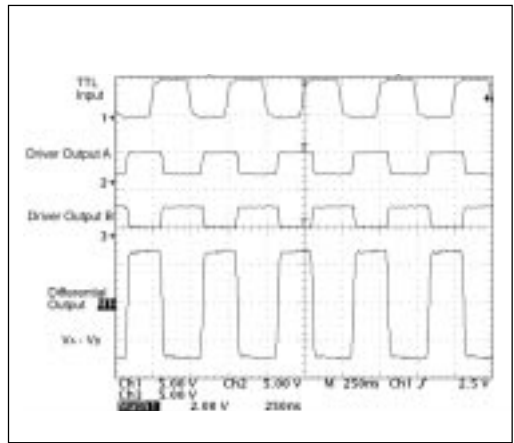


Figure 8. Typical RS-485 Driver Output

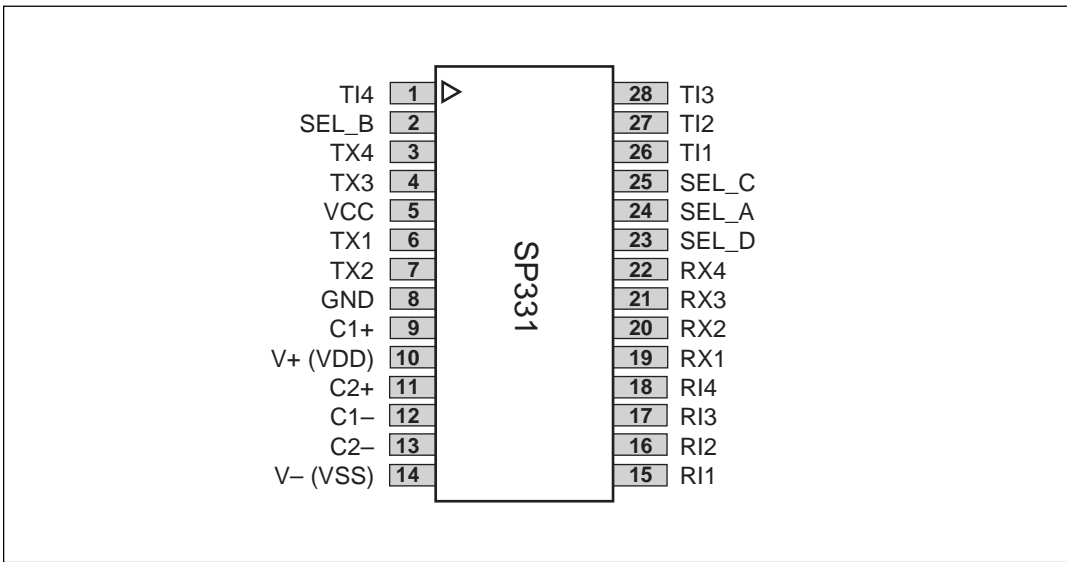


Figure 9. SP331 Pinout

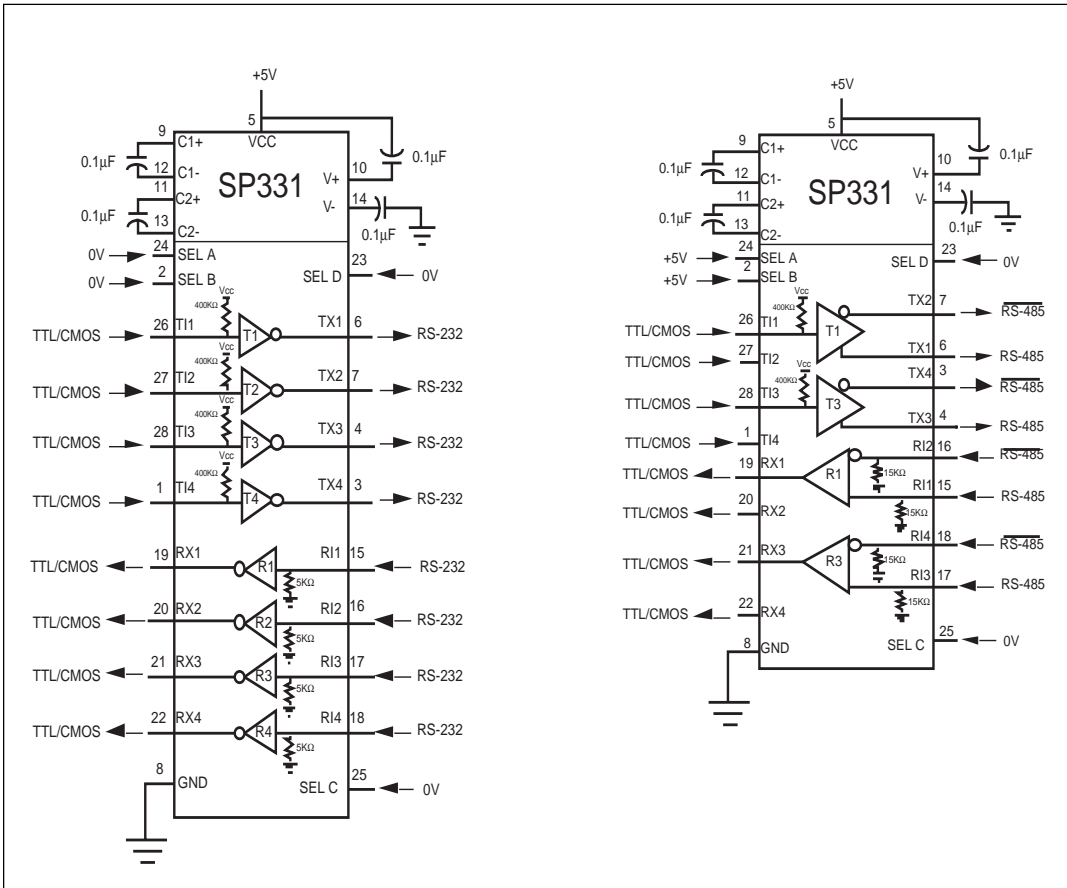


Figure 10. Typical Operating Circuit

## FUNCTION TABLE FOR SELECT PINS

<u>A</u>	<u>B</u>	<u>C</u>	<u>D</u>	<u>MODE</u>	<u>FUNCTION</u>
0	0	0	0	RS-232	All four RS-232 drivers active
0	0	0	1	RS-232	All four RS-232 drivers tri-state
0	0	1	0	RS-232	All four RS-232 drivers tri-state
0	0	1	1	RS-232	RS-232 (4ch) Loopback
0	1	0	0	RS-232/RS-485	T1 and T2 active RS-232; T3 tri-state RS-485
0	1	0	1	RS-232/RS-485	T1 and T2 tri-state RS-232; T3 active RS-485
0	1	1	0	RS-232/RS-485	T1 and T2 active RS-232; T3 tri-state RS-485
0	1	1	1	RS-232/RS-485	RS-232 (2ch) / RS-485 (1ch) Loopback
1	0	0	0	RS-485/RS-232	T1 active RS-485; T2 and T3 active RS-232
1	0	0	1	RS-485/RS-232	T1 tr-state RS-485; T3 active RS-232; T4 active RS232
1	0	1	0	RS-485/RS-232	All RS-485 and RS-232 drivers tri-state
1	0	1	1	RS-485/RS-232	RS-485 (1ch) / RS-232 (2ch) Loopback
1	1	0	0	RS-485	T1 and T3 active RS-485
1	1	0	1	RS-485	T1 tri-state RS-485; T3 active RS-485
1	1	1	0	RS-485	T1 active RS-485; T3 tri-state RS-485
1	1	1	1	RS-485	RS-485 (2ch) Loopback

Table 1. Mode Function Table. (Refer to Control Logic Confirmations for Block Diagrams)

## THEORY OF OPERATION

The SP331 is made up of four separate circuit blocks — the charge pump, drivers, receivers, and decoder. Each of these circuit blocks is described in more detail below.

### Charge-Pump

The charge pump is a Sipex-patented design (U.S. 5,306,954) and uses a unique approach compared to older less efficient designs. The charge pump still requires four external capacitors, but uses a four-phase voltage shifting technique to attain symmetrical 10V power supplies. Figure 15(a) shows the waveform found on the positive side of capacitor C<sub>2</sub>, and Figure 15(b) shows the negative side of capacitor C<sub>2</sub>. There is a free-running oscillator that controls the four phases of the voltage shifting. A description of each phase follows.

#### Phase 1

— V<sub>SS</sub> charge storage — During this phase of the clock cycle, the positive side of capacitors C<sub>1</sub> and C<sub>2</sub> are initially charged to +5V. C<sub>1</sub><sup>+</sup> is then switched to ground and charge on C<sub>1</sub><sup>-</sup> is transferred to C<sub>2</sub><sup>-</sup>. Since C<sub>2</sub><sup>+</sup> is connected to

+5V, the voltage potential across capacitor C<sub>2</sub> is now 10V.

#### Phase 2

— V<sub>SS</sub> transfer — Phase two of the clock connects the negative terminal of C<sub>2</sub> to the V<sub>SS</sub> storage capacitor and the positive terminal of C<sub>2</sub> to ground, and transfers the generated -10V to C<sub>3</sub>. Simultaneously, the positive side of capacitor C<sub>1</sub> is switched to +5V and the negative side is connected to ground.

#### Phase 3

— V<sub>DD</sub> charge storage — The third phase of the clock is identical to the first phase — the charge transferred in C<sub>1</sub> produces -5V in the negative terminal of C<sub>1</sub>, which is applied to the negative side of capacitor C<sub>2</sub>. Since C<sub>2</sub><sup>+</sup> is at +5V, the voltage potential across C<sub>2</sub> is 10V.

#### Phase 4

— V<sub>DD</sub> transfer — The fourth phase of the clock connects the negative terminal of C<sub>2</sub> to ground and transfers the generated 10V across C<sub>2</sub> to C<sub>4</sub>, the V<sub>DD</sub> storage capacitor. Again,



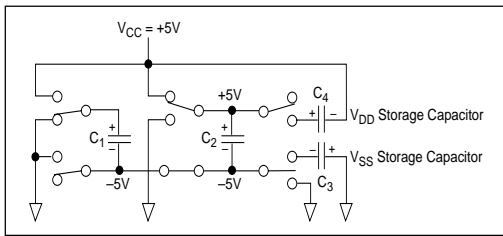


Figure 11. Charge Pump Phase 1.

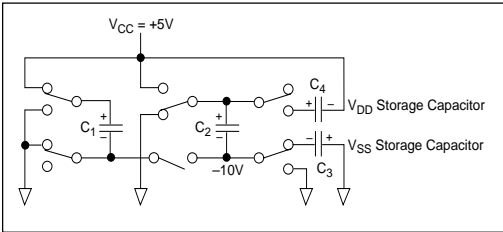


Figure 12. Charge Pump Phase 2.

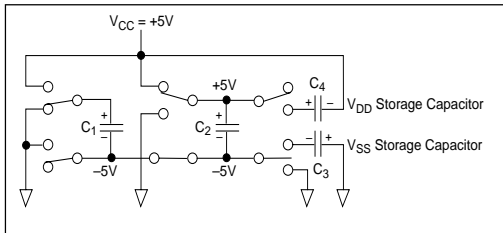


Figure 13. Charge Pump Phase 3.

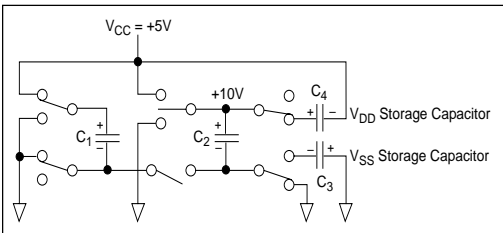


Figure 14. Charge Pump Phase 4.

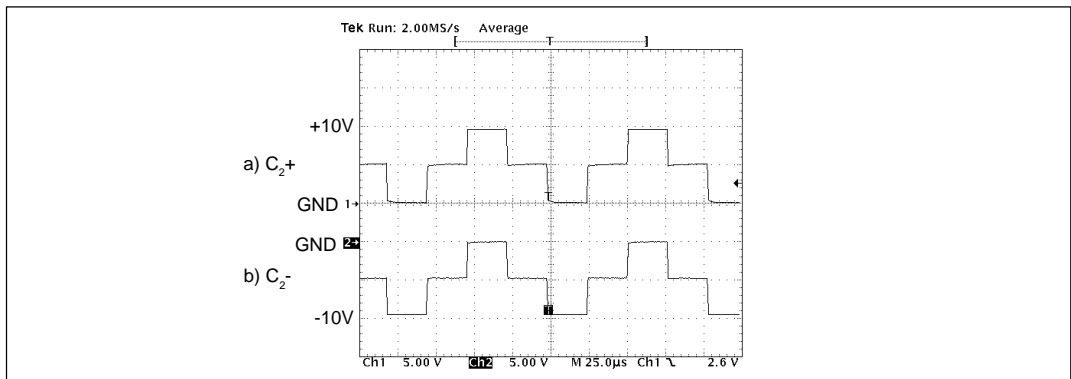


Figure 15. Charge Pump Waveforms

simultaneously with this, the positive side of capacitor  $C_1$  is switched to +5V and the negative side is connected to ground, and the cycle begins again.

Since both  $V^+$  and  $V^-$  are separately generated from  $V_{CC}$  in a no-load condition,  $V^+$  and  $V^-$  will be symmetrical. Older charge pump approaches that generate  $V^-$  from  $V^+$  will show a decrease in the magnitude of  $V^-$  compared to  $V^+$  due to the inherent inefficiencies in the design.

The clock rate for the charge pump typically operates at 15kHz. The external capacitors must be 0.1 $\mu$ F with a 16V breakdown rating.

### External Power Supplies

For applications that do not require +5V only, external supplies can be applied at the  $V^+$  and  $V^-$  pins. The value of the external supply voltages must be no greater than  $\pm 10V$ . The current drain for the  $\pm 10V$  supplies is used for RS-232. For the RS-232 driver the current requirement will be 3.5mA per driver. The external power supplies should provide a power supply sequence of :+10V, then +5V, followed by -10V.

## Drivers

The **SP331** has four independent RS-232 single-ended drivers and two differential RS-485 drivers. Control for the mode selection is done via a four-bit control word. The drivers are pre-arranged such that for each mode of operation the relative position and functionality of the drivers are set up to accommodate the selected interface mode. As the mode of the drivers is changed, the electrical characteristics will change to support the requirements of clock, data, and control line signal levels. Unused driver inputs can be left floating; however, to ensure a desired state with no input signal, pull-up resistors to +5V or pull-down resistors to ground are suggested. Since the driver inputs are both TTL or CMOS compatible, any value resistor less than 100k $\Omega$  will suffice.

When in RS-232 mode, the single-ended RS-232 drivers produce compliant RS-232E and ITU V.28 signals. Each of the four drivers output single-ended bipolar signals in excess of  $\pm 5V$  with a full load of 3k $\Omega$  and 2500pF applied as specified. These drivers can also operate at least 120kbps.

When programmed to RS-485 mode, the differential RS-485 drivers produce compliant RS-485 signals. Each RS-485 driver outputs a unipolar signal on each output pin with a magnitude of at least 1.5V while loaded with a worst case of 54 $\Omega$  between the driver's two output pins. The signal levels and drive capability of the RS-485 drivers allow the drivers to also comply with RS-422 levels. The transmission rate for the differential drivers is 10Mbps.

## Receivers

The **SP331** has four single-ended receivers when programmed for RS-232 mode and two differential receivers when programmed for RS-485 mode.

Control for the mode selection is done via a 4-bit control word, as in the drivers. As the operating mode of the receivers is changed, the electrical characteristics will change to support the requirements of the appropriate serial standard. Unused receiver inputs can be left floating

without causing oscillation. To ensure a desired state of the receiver output, a pull-up resistor of 100k $\Omega$  to +5V should be connected to the inverting input for a logic low, or the non-inverting input for a logic high. For single-ended receivers, a pull-down resistor to ground of 5k $\Omega$  is internally connected, which will ensure a logic high output.

The RS-232 receiver has a single-ended input with a threshold of 0.8V to 2.4V. The RS-232 receiver has an operating voltage range of  $\pm 15V$  and can receive signals up to 120kbps. RS-232 receivers are used in RS-232 mode for all signal types include data, clock, and control lines of the RS-232 serial port.

The differential RS-485 receiver has an input impedance of 15k $\Omega$  and a differential threshold of  $\pm 200mV$ . Since the characteristics of an RS-422 receiver are actually subsets of RS-485, the receivers for RS-422 requirements are identical to the RS-485 receivers. All of the differential receivers can receive data up to 10Mbps.

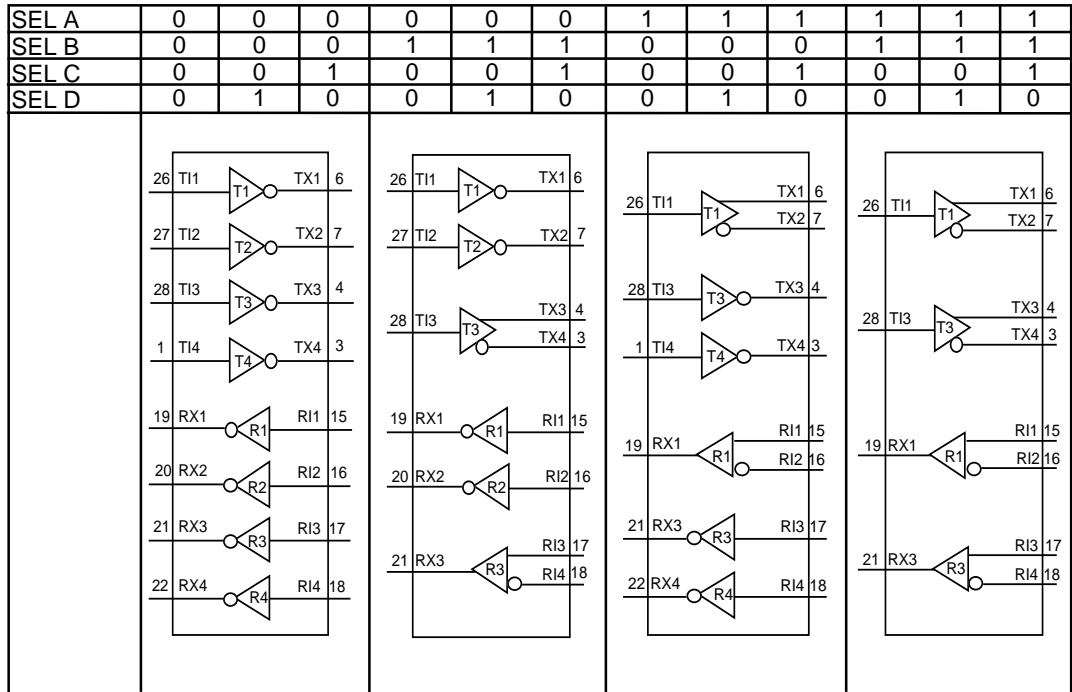
## Select Mode Pins

Similar to our SP500 family of multiprotocol products, the **SP331** has the ability to change the configuration of the drivers and receivers via a 4-bit switch. Referring to *Table 1*; RS-232 mode, RS-485 mode, or two different combinations of RS-232/RS-485 can be configured using the SEL\_A and SEL\_B pins. The drivers can be put into tri-state mode by using the SEL\_C and SEL\_D pins. All receivers remain active during any tri-state condition of the drivers.

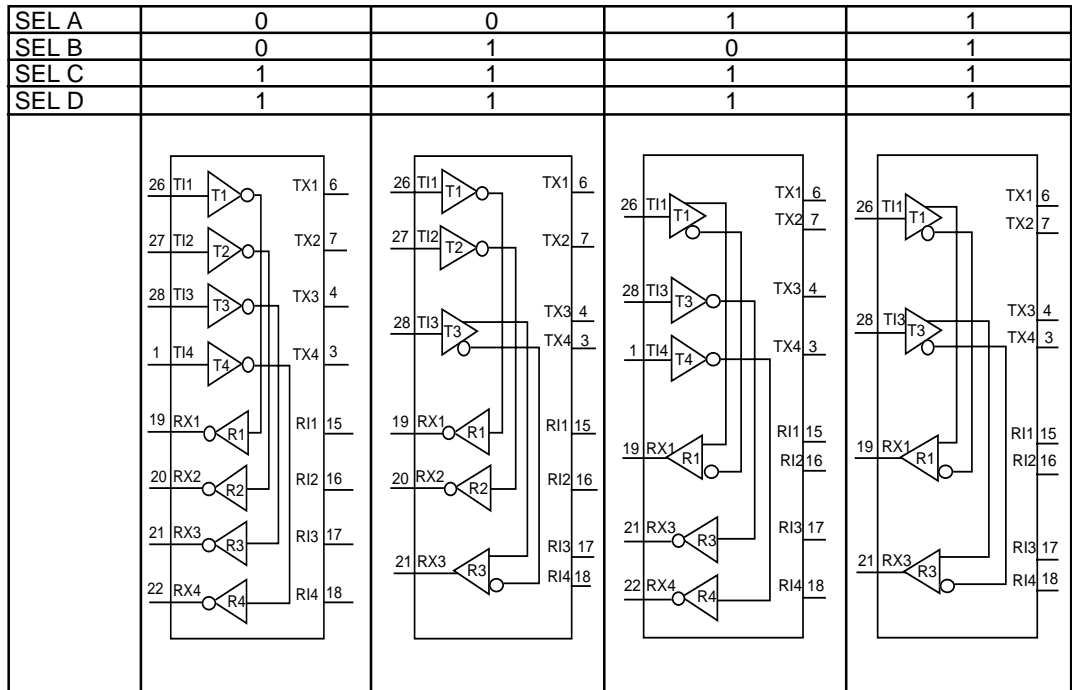
## Loopback Mode

Loopback is invoked by asserting "xx11" into the select pins. In RS-232/RS-485 or RS-485/RS-232 loopback mode, the RS-232 driver outputs loop back into the RS-232 receiver inputs and the RS-485 differential driver loops back into the RS-485 receiver. During loopback, the driver outputs and receiver inputs are disconnected from the outside world. The driver outputs are in tri-state and the receiver inputs are disabled. The input impedance of the receivers during loopback is approximately 15k $\Omega$  to ground.

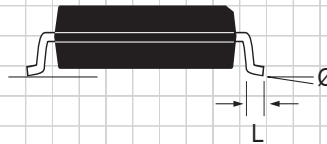
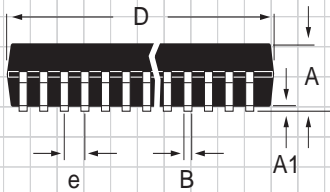
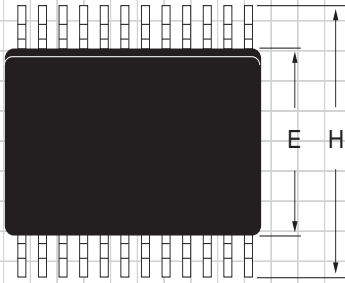
# SP331 CONTROL LOGIC CONFIGURATION (Refer to Table 1)



# SP331 LOOPBACK (Refer to Table 1)



**PACKAGE: 28-PIN PLASTIC  
SMALL OUTLINE (SOIC)**



DIMENSIONS (Inches) Minimum/Maximum (mm)	28-PIN
A	0.093/0.104 (2.352/2.649)
A1	0.004/0.012 (0.102/0.300)
B	0.013/0.020 (0.330/0.508)
D	0.698/0.706 (17.73/17.93)
E	0.291/0.299 (7.402/7.600)
e	0.050 BSC (1.270 BSC)
H	0.394/0.419 (10.00/10.64)
L	0.016/0.050 (0.406/1.270)
Ø	0°/8° (0°/8°)

## ORDERING INFORMATION

Model	Temperature Range	Package Types
SP331CT .....	0°C to +70°C .....	28-pin Plastic SOIC
SP331ET .....	-40°C to +85°C .....	28-pin Plastic SOIC

Please consult the factory for pricing and availability on a Tape-On-Reel option.



### SIGNAL PROCESSING EXCELLENCE

#### Sipex Corporation

##### Headquarters and Sales Office

22 Linnell Circle  
Billerica, MA 01821  
TEL: (978) 667-8700  
FAX: (978) 670-9001  
e-mail: sales@sipex.com

##### Sales Office

233 South Hillview Drive  
Milpitas, CA 95035  
TEL: (408) 934-7500  
FAX: (408) 935-7600

Sipex Corporation reserves the right to make changes to any products described herein. Sipex does not assume any liability arising out of the application or use of any product or circuit described hereing; neither does it convey any license under its patent rights nor the rights of others.