



DM74ALS14 Hex Inverter with Schmitt Trigger Inputs

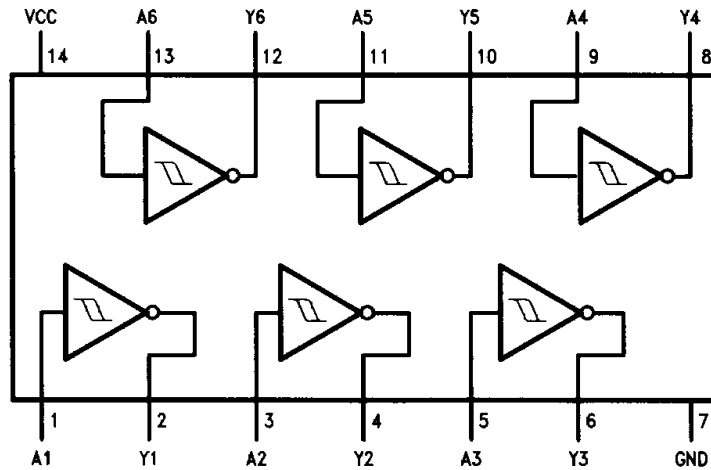
General Description

This device contains six independent gates, each of which performs the logic INVERT function. Each input has hysteresis which increases the noise immunity and transforms a slowly changing input signal to a fast changing, jitter-free output.

Features

- Input Hysteresis
- Low output noise generation
- High input noise immunity
- Switching specification at 50 pF
- Switching specifications guaranteed over full temperature and V_{CC} range
- Advanced oxide-isolated, ion-implanted Schottky TTL process
- Functionally and pin-for-pin compatible with Schottky and Low Power Schottky TTL counterparts
- Improved AC performance over low power Schottky counterpart

Connection Diagram



TL/F/8773-1

Order Number DM74ALS14M, DM74ALS14N or DM74ALS14SJ
See NS Package Number M14A, M14D or N14A

Function Table

$$Y = \bar{A}$$

Input A	Output Y
L	H
H	L

H = High Logic Level
L = Low Logic Level

Absolute Maximum Ratings

Supply Voltage	7V
Input Voltage	7V
Storage Temperature Range	-65°C to +150°C
Operating Free Air Temperature Range DM74ALS	0°C to +70°C
Typical θ_{JA}	
N Package	78.5°C/W
M Package	109.0°C/W

NOTE: The "Absolute Maximum Ratings" are those values beyond which the safety of the device cannot be guaranteed. The device should not be operated at these limits. The parametric values defined in the "Electrical Characteristics" table are not guaranteed at the absolute maximum ratings. The "Recommended Operating Conditions" table will define the conditions for actual device operation.

Recommended Operating Conditions

Symbol	Parameter		Min	Nom	Max	Units
V _{CC}	Supply Voltage		4.5	5	5.5	V
V _{T+}	Positive-Going Input Threshold Voltage	V _{CC} = Min to Max	1.4		2	V
		V _{CC} = 5V	1.55		1.85	
V _{T-}	Negative-Going Input Threshold Voltage	V _{CC} = Min to Max	0.75		1.2	V
		V _{CC} = 5V	0.85		1.1	
HYS	Input Hysteresis	V _{CC} = Min to Max	0.5			V
		V _{CC} = 5V	0.6			
I _{OH}	High Level Output Current				-0.4	mA
I _{OL}	Low Level Output Current				8	mA
T _A	Operating Free Air Temperature Range		0		70	°C

Electrical Characteristics over recommended free air temperature range (unless otherwise noted)

Symbol	Parameter	Test Conditions	Min	Typ	Max	Units
V _{IC}	Input Clamp Voltage	V _{CC} = Min, I _I = -18 mA			-1.5	V
V _{OH}	High Level Output Voltage	V _{CC} = 4.5V to 5.5V, I _{OH} = Max	V _{CC} - 2			V
V _{OL}	Low Level Output Voltage	V _{CC} = Min	I _{OL} = 4 mA	0.25	0.4	V
			I _{OL} = 8 mA	0.35	0.5	V
I _{T+}	Input Current at Positive-Going Threshold Voltage	V _{CC} = 5V, V _I = V _{T+}			20	μA
I _{T-}	Input Current at Negative-Going Threshold Voltage	V _{CC} = 5V, V _I = V _{T-}			-100	μA
I _I	Input Current at Maximum Input Voltage	V _{CC} = Max, V _I = 7V			100	μA
I _{IH}	High Level Input Current	V _{CC} = Max, V _I = 2.7V			20	μA
I _{IL}	Low Level Input Current	V _{CC} = Max, V _I = 0.4V			-100	μA
I _O	Output Drive Current	V _{CC} = Max, V _O = 2.25V	-30		-112	mA
I _{CCH}	Supply Current with Outputs High	V _{CC} = Max			12	mA
I _{CCL}	Supply Current with Outputs Low	V _{CC} = Max			12	mA

Electrical Characteristics over recommended free air temperature range (unless otherwise noted) (Continued)

Symbol	Parameter	Test Conditions	Min	Typ	Max	Units
V_{OLP}	Quiet Output Maximum Dynamic V_{OL}	$V_{CC} = 5.0V, T_A = 25^\circ C$ (Figures 1, 2; Notes 1, 2)		0.16		V
V_{OLV}	Quiet Output Minimum Dynamic V_{OL}	$V_{CC} = 5.0V, T_A = 25^\circ C$ (Figures 1, 2; Notes 1, 2)		-0.27		V
V_{IHD}	Minimum High Level Dynamic Input Voltage	$V_{CC} = 5.0V, T_A = 25^\circ C$ (Notes 1, 3)		1.44		V
V_{ILD}	Maximum Low Level Dynamic Input Voltage	$V_{CC} = 5.0V, T_A = 25^\circ C$ (Notes 1, 3)		1.15		V

Note 1: Plastic DIP package.

Note 2: n = number of device outputs, $n - 1$ outputs switching, each driven 0V to 3V one output @ GND.

Note 3: n = number of device outputs, n outputs switching, $n - 1$ inputs switching 0V to 3V. Input under test switching 3V to threshold (V_{ILD}); 0V to threshold (V_{IHD}); $f = 1$ MHz.

ALS Noise Characteristics

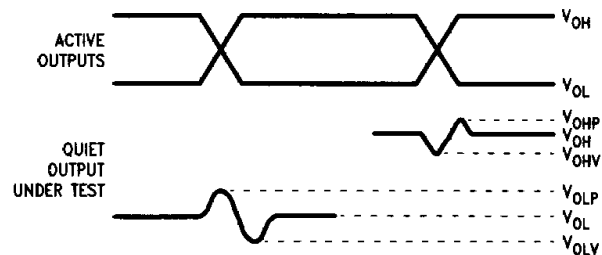
The setup of a noise characteristics measurement is critical to the accuracy and repeatability of the tests. The following is a brief description of the setup used to measure the noise characteristics of ALS.

Equipment:

- Word Generator
- Printed Circuit Board Test Fixture
- Dual Trace Oscilloscope

Procedure:

1. Verify Test Fixture Loading: Standard Load 50 pF, 500Ω.
2. Deskew the word generator so that no two channels have greater than 150 ps skew between them. This requires that the oscilloscope be deskewed first. Swap out the channels that have more than 150 ps of skew until all channels being used are within 150 ps. It is important to deskew the word generator channels before testing. This will ensure that the outputs switch simultaneously.
3. Terminate all inputs and outputs to ensure proper loading of the outputs and that the input levels are at the correct voltage.
4. Set V_{CC} to 5.0V.
5. Set the word generator to toggle all but one output at a frequency of 1 MHz. Greater frequencies will increase DUT heating and affect the results of the measurement.



TL/F/8773-2

FIGURE 1. Quiet Output Noise Voltage Waveforms

Note A. V_{OHV} and V_{OHP} are measured with respect to V_{OH} reference. V_{OLV} and V_{OLP} are measured with respect to ground reference.

Note B. Input pulses have the following characteristics: $f = 1$ MHz, $t_r = 3$ ns, $t_f = 3$ ns, skew < 150 ps.

6. Set the word generator input levels at 0V LOW and 3V HIGH. Verify levels with a digital volt meter.

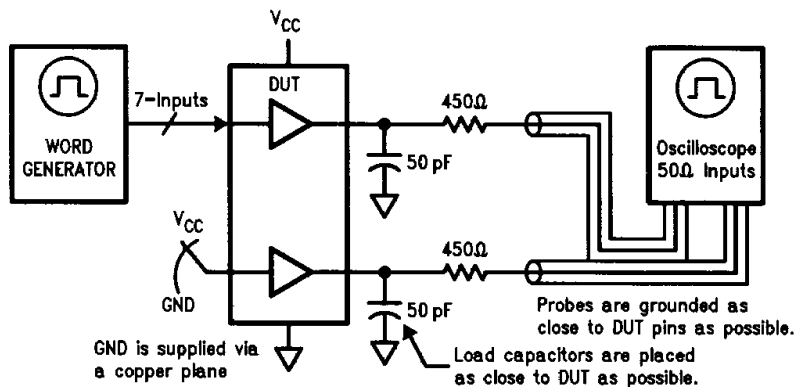
V_{OLP}/V_{OLV} and V_{OHP}/V_{OHV} :

- Determine the quiet output pin that demonstrates the greatest noise levels. The worst case pin will usually be the furthest from the ground pin. Monitor the output voltages using a 50Ω coaxial cable plugged into a standard SMB type connector on the test fixture. Do not use an active FET probe.
- Verify that the GND reference recorded on the oscilloscope has not drifted to ensure the accuracy and repeatability of the measurements.

ALS Noise Characteristics (Continued)

V_{ILD} and V_{IHD} :

- Monitor one of the switching outputs using a 50Ω coaxial cable plugged into a standard SMB type connector on the test fixture. Do not use an active FET probe.
- First increase the input LOW voltage level, V_{IL} , until the output begins to oscillate. Oscillation is defined as noise on the output LOW level that exceeds V_{IL} limits, or on output HIGH levels that exceed V_{IH} limits. The input LOW voltage level at which oscillation occurs is defined as V_{ILD} .
- Next decrease the input HIGH voltage level on the word generator, V_{IH} until the output begins to oscillate. Oscillation is defined as noise on the output LOW level that exceeds V_{IL} limits, or on output HIGH levels that exceed V_{IH} limits. The input HIGH voltage level at which oscillation occurs is defined as V_{IHD} .
- Verify that the GND reference recorded on the oscilloscope has not drifted to ensure the accuracy and repeatability of the measurements.



TL/F/8773-3

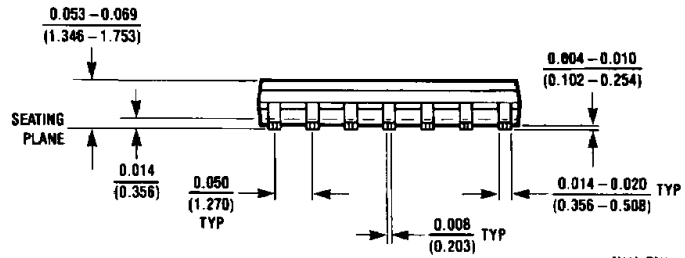
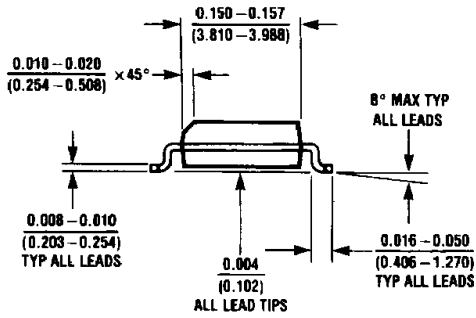
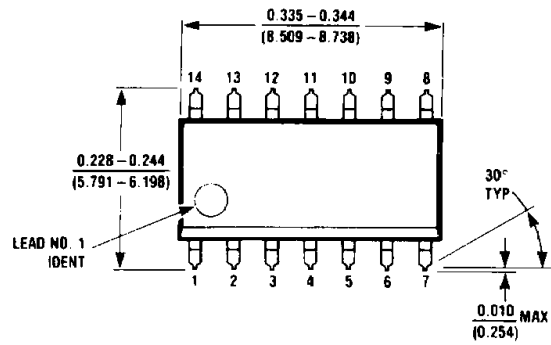
FIGURE 2. Simultaneous Switching Test Circuit

Switching Characteristics over recommended operating free air temperature range

Symbol	Parameter	Conditions (Note 1)	DM74ALS14		Units
			Min	Max	
t_{PLH}	Propagation Delay Time Low to High Level Output	$V_{CC} = 4.5V$ to $5.5V$ $R_L = 500\Omega$, $C_L = 50$ pF	2	12	ns
t_{PHL}	Propagation Delay Time High to Low Level Output		2	10	ns

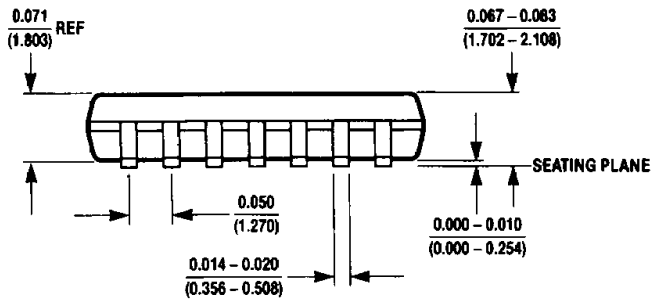
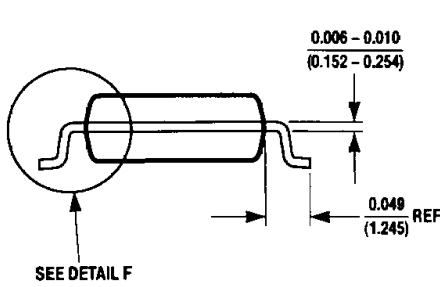
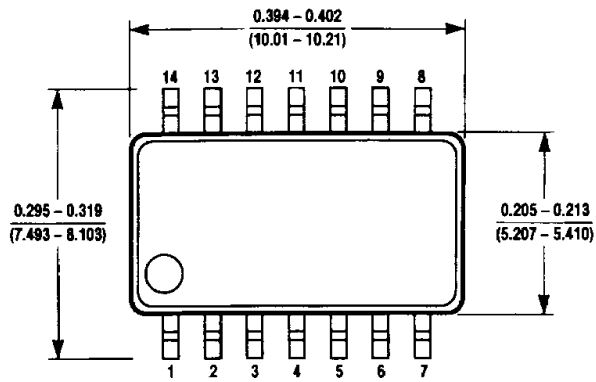
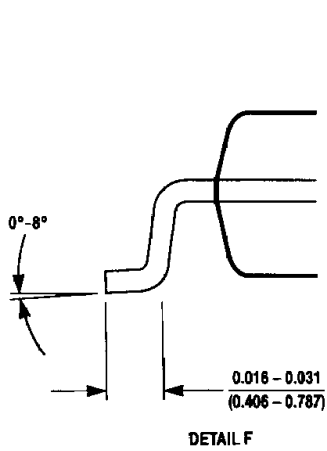
Note 1: See Section 1 for test waveforms and output load.

Physical Dimensions inches (millimeters)



M14A (REV H)

S.O. Package (M)
Order Number DM74ALS14M
NS Package Number M14A

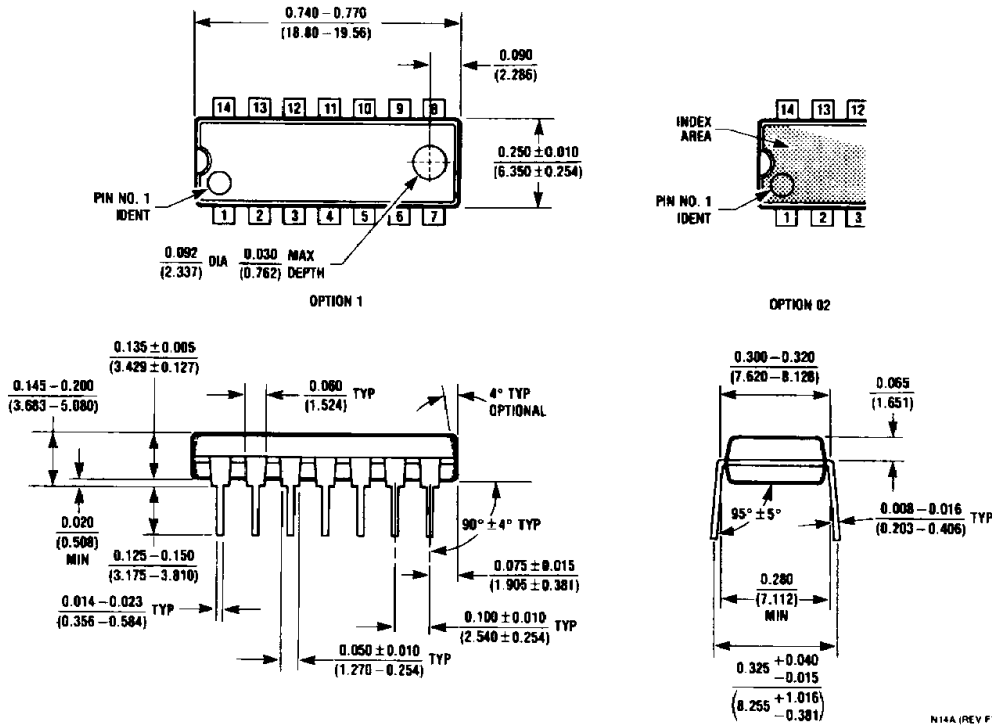


M14D (REV A)

Small Outline Package (SJ)
Order Number DM74ALS14SJ
NS Package Number M14D

Physical Dimensions inches (millimeters) (Continued)

Lit # 102536



Molded Dual-In-Line Package (N)
Order Number DM74ALS14N
NS Package Number N14A

LIFE SUPPORT POLICY

NATIONAL'S PRODUCTS ARE NOT AUTHORIZED FOR USE AS CRITICAL COMPONENTS IN LIFE SUPPORT DEVICES OR SYSTEMS WITHOUT THE EXPRESS WRITTEN APPROVAL OF THE PRESIDENT OF NATIONAL SEMICONDUCTOR CORPORATION. As used herein:

1. Life support devices or systems are devices or systems which, (a) are intended for surgical implant into the body, or (b) support or sustain life, and whose failure to perform, when properly used in accordance with instructions for use provided in the labeling, can be reasonably expected to result in a significant injury to the user.
2. A critical component is any component of a life support device or system whose failure to perform can be reasonably expected to cause the failure of the life support device or system, or to affect its safety or effectiveness.



National Semiconductor Corporation
 2900 Semiconductor Drive
 P.O. Box 58090
 Santa Clara, CA 95052-8090
 Tel: 1(800) 272-9959
 TWX: (910) 339-9240

National Semiconductor GmbH
 Industriestrasse 10
 D-8060 Furstenfeldbruck
 West Germany
 Tel: (0-81-41) 103-0
 Telex: 527-649
 Fax: (08141) 103554

National Semiconductor Japan Ltd.
 Sanso Bldg. 5F
 4-15 Nishi Shinjuku
 Shinjuku-Ku,
 Tokyo 160, Japan
 Tel: 3-299-7001
 FAX: 3-299-7000

National Semiconductor Hong Kong Ltd.
 Suite 513, 5th Floor
 Chinachem Golden Plaza,
 77 Mody Road, Tsimshatsui East,
 Kowloon, Hong Kong
 Tel: 3-7231290
 Telex: 52996 NSSEA HX
 Fax: 3-3112536

National Semicondutores Do Brasil Ltda.
 Av. Brg. Faria Lima, 1383
 6.0 Andor-Conj. 62
 01451 Sao Paulo, SP, Brasil
 Tel: (55/11) 212-5066
 Fax: (55/11) 211-1181 NSBR BR

National Semiconductor (Australia) PTY, Ltd.
 1st Floor, 441 St. Kilda Rd.
 Melbourne, 3004
 Victoria, Australia
 Tel: (03) 267-5000
 Fax: 61-3-2677458