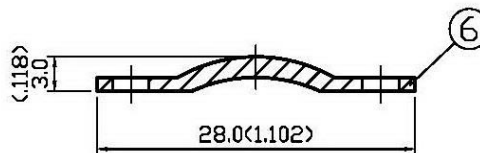
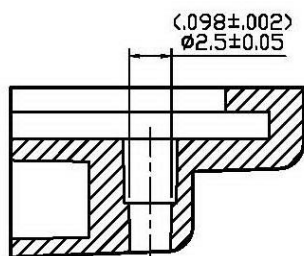
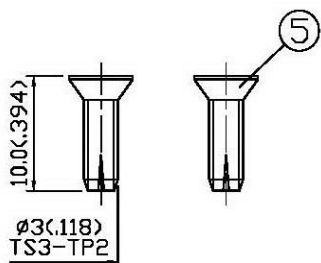
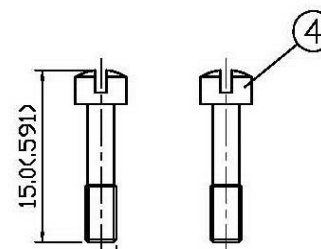
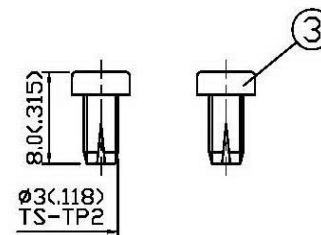
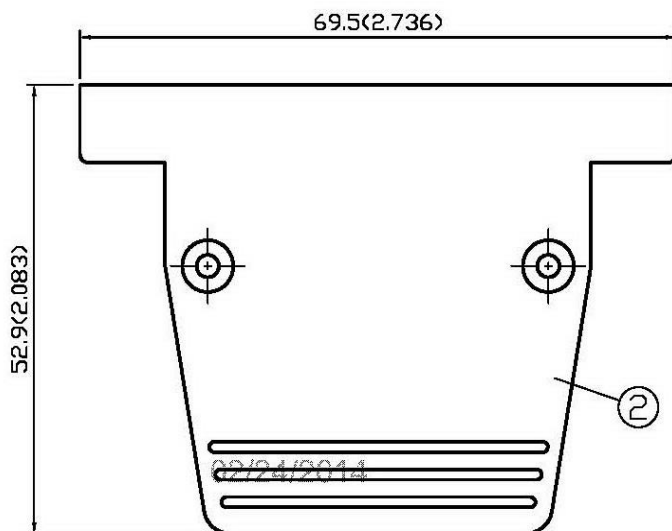
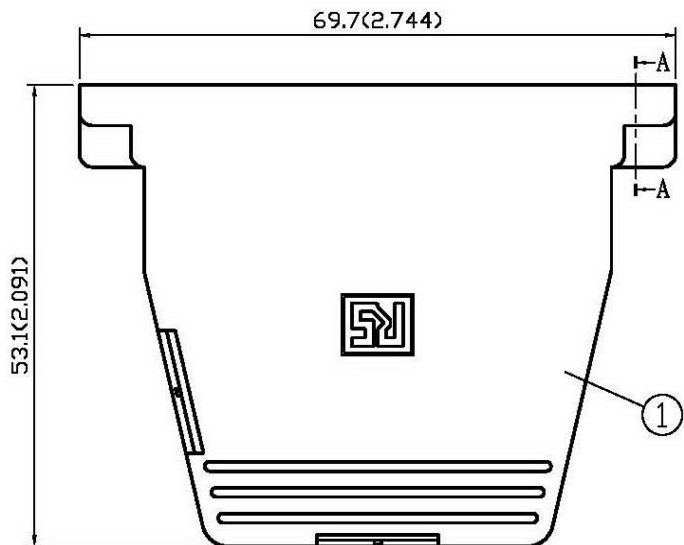


NO	DESCRIPTION	DATE
①	ADD MIS PART NO.	04.01.04'
②	ADD A-A SECTION ø2.7 → ø2.7 ^{+0.1} ₀	12.02.04'
③	ADD (P/N:544-4427)	04.14.10'



△ MIS PART NO: 069-0050H-01 (P/N:544-4427) △

APPROVED

by _____

DATE: _____

△ A-A SECTION

NO	DESCRIPTION	MATERIAL	Q'TY	FINISH
6	SPRING	IRON	1	ZINC
5	SCREW	IRON	2	ZINC
4	SCREW	IRON	2	ZINC
3	SCREW	IRON	2	ZINC
2	CAP	ABS	1	NONE
1	BODY	ABS	1	NONE



DESCRIPTION		50PIN D-HOOD-1	
製圖	DRAWN Yoko	TOLERANCE	品名 50PIN D-HOOD-1
檢圖	CHECK Arc	.X ±0.2	TITLE ROHS COMPLIANT
認定	APPROVAL Angela	.XX ±0.1	單位 mm(in)
		.XXX ±0.05	比例 SCALE 2:1
		ANGLE ±5°	DWG.NO. 55-0084
			日期 10.30.96 版次 A-3