

(0.50 mm) .0197" (HQCD) (0.80 mm) .0315" (EQCD)

EQCD-040-04.00-TTL-STR-2

QSTRIP® COAX CABLE ASSEMBLIES

SPECIFICATIONS

For complete specifications see www.samtec.com?HQCD or www.samtec.com?EQCD

- Cable:** 38 AWG micro ribbon coax cable
- Signal Routing:** 50 Ω Single-Ended
- Overall Length:** (95.3 mm) 03.75" to (1 m) 40" standard
- Cable Flexing Life:** >10,000 cycles
- Cable Bending Radius:** <2.5mm
- Plating:** Au over 50 μ" (1.27 μm) Ni
- Current Rating:** EQCD: 500 mA per pin
HQCD: 300 mA per pin (6 adjacent pins powered)
- Cable Propagation Delay:** 4.79 nsec/meter
- Operating Temp Range:** -25 °C to +105 °C
- Unmating Force (-RT1 option):** -RT1 option increases unmating force up to 50%
- RoHS Compliant:** Yes

HQCD Mates with: QTH, QSH

EQCD Mates with: QTE, QSE

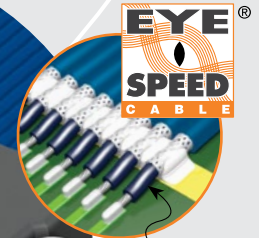
RUGGEDIZED
BY SAMTEC

- Screw & panel mount options
- Retention pins

0.50 mm or 0.80 mm pitch

Socket or Terminal

Surface Mount or Panel Mount



38 AWG micro ribbon coax cable

Cable Length	Rated @ 7 dB Insertion Loss	
	EQCD	HQCD
10" (0.25 m)	5.50 GHz / 11.00 Gbps	6.50 GHz / 13.00 Gbps

Performance and complete test data available at www.samtec.com?EQCD, www.samtec.com?HQCD or contact sig@samtec.com

RECOGNITIONS

For complete scope of recognitions see www.samtec.com/quality



APPLICATIONS



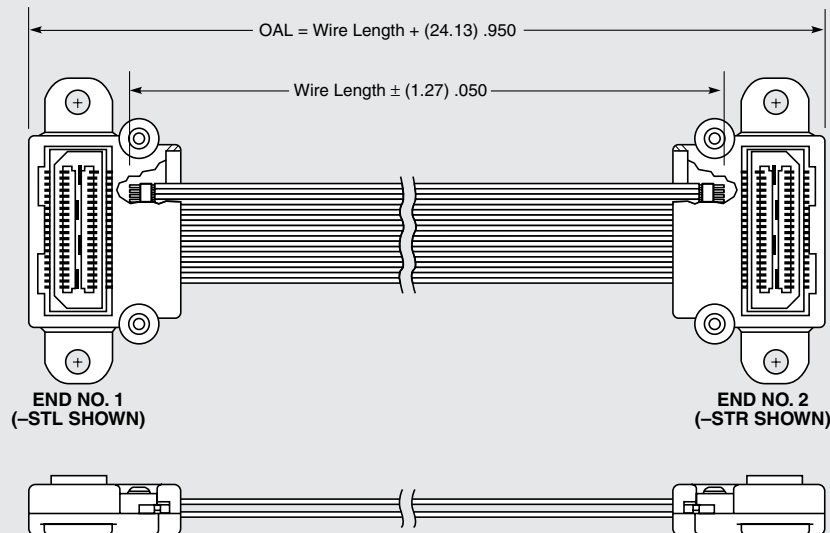
Processing conditions will affect mated height.

ALSO AVAILABLE (MOV Required)

- Other sizes and lengths
 - Other terminations
 - Other wire AWG
 - Retention pin
- Contact Samtec.

Notes:
Cable lengths longer than 40.00" (1 meter) are not supported with S.I. test data.
Design your High-Speed Cable with Samtec's High-Speed Cable Solutionator® at www.samtec.com/hdr
This Series is non-standard, non-returnable.

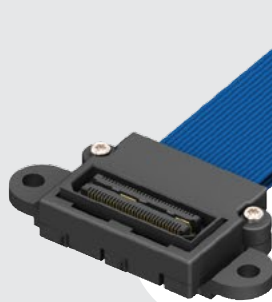
TYPE	NO. OF POSITIONS PER ROW	WIRE LENGTH
HQCD = (0.50 mm) .0197" pitch EQCD = (0.80 mm) .0315" pitch	-030, -060, -090 (HQCD Series) -020, -040, -060 (EQCD Series)	-"XX.XX" = Wire Length in Inches (43.7 mm) 01.72" minimum



EQCD-020-40.00-TPU-TTR-1



HQCD-030-06.00-STL-TTR-1-B



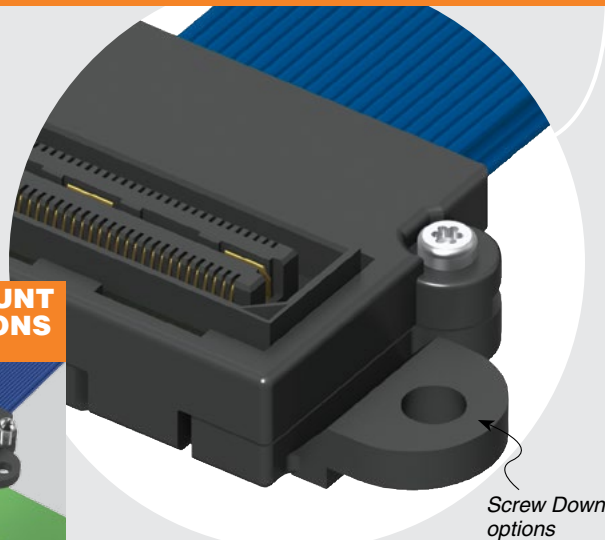
HQCD, EQCD SERIES



SCREW MOUNT APPLICATIONS (-F, -S, -B)



SO-0318-04-01-02



Screw Down options

END NO. 1

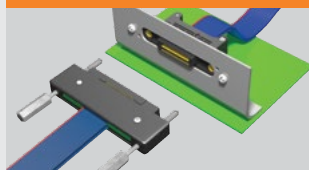
END NO. 2

WIRING OPTION

END OPTIONS

Specify END ASSEMBLIES from chart

PANEL MOUNT END OPTION APPLICATIONS (-TPU, -TPD, -SPU, SPD)



END 1 ONLY	PANEL MOUNT
TPU	Terminal, Panel Mount, Notch Up
TPD	Terminal, Panel Mount, Notch Down
SPU	Socket, Panel Mount, Notch Up
SPD	Socket, Panel Mount, Notch Down

- 1 = Pin 1 to Pin 1
- 2 = Pin 1 to Pin 2
- 3 = Pin 1 to Second to Last Pin
- 4 = Pin 1 to Last Pin

Leave blank for no Screw Mount & Retention End Option

-F
= Screw Mount End No. 1 only (Not available with XPX options)

-S
= Screw Mount End No. 2 only

-B
= Screw Mount Both Ends (Not available with XPX options)

-1
= End No. 1 Screw Mount. End No. 2 Retention Pin or Socket

-2
= End No. 1 Retention Pin or Socket. End No. 2 Screw Mount Option

END 1 or END 2	SURFACE MOUNT
TTR	Terminal, Top Mount, Notch Right
TTL	Terminal, Top Mount, Notch Left
TBR	Terminal, Bottom Mount, Notch Right
TBL	Terminal, Bottom Mount, Notch Left
STR	Socket, Top Mount, Notch Right
STL	Socket, Top Mount, Notch Left
SBR	Socket, Bottom Mount, Notch Right
SBL	Socket, Bottom Mount, Notch Left