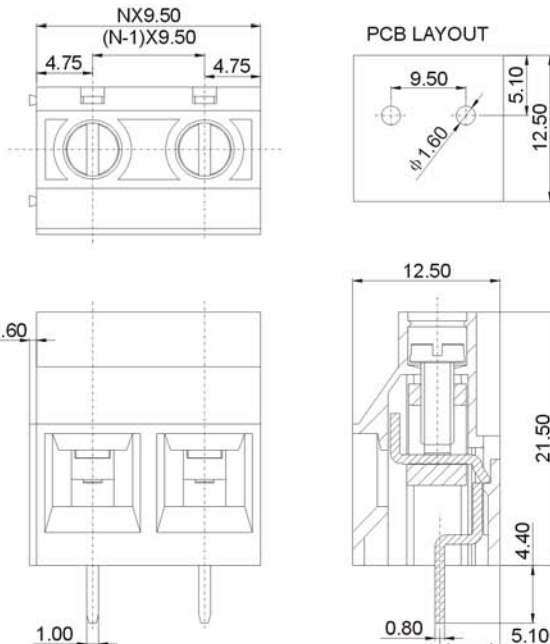




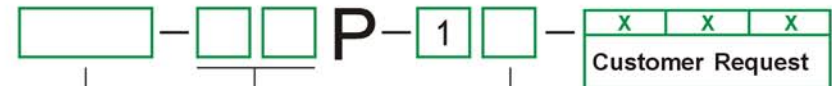
DEGSON ELECTRONICS CO., LTD.

Product Specification



Material	
Screws :	M3 steel Zinc plated
Pin header:	Brass, Tin plated
Housing :	PA66, UL94V-0
Electrical	
Rated voltage :	300V
Rated current :	30A
Contact resistance :	20m Ω
Insulation resistance :	5000M Ω /DC1000V
Withstanding voltage:	AC2000V/1Min
Wire range :	26-10AWG 4mm ²
Mechanical	
Temp. Range :	-40°C~+105°C
Torque :	0.5Nm(4.5lb.in)
Strip length :	6-7mm

HOW TO ORDER:

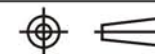


Series No. No of Pole

Color

1 Gray	4 Green	7 Trans- parent
2 Blue	5 Orange	8 Yellow
3 Black	6 Red	9 White

MM
(INCH)



DEGSON ELECTRONICS CO., LTD.

NAME

DG950-9.5