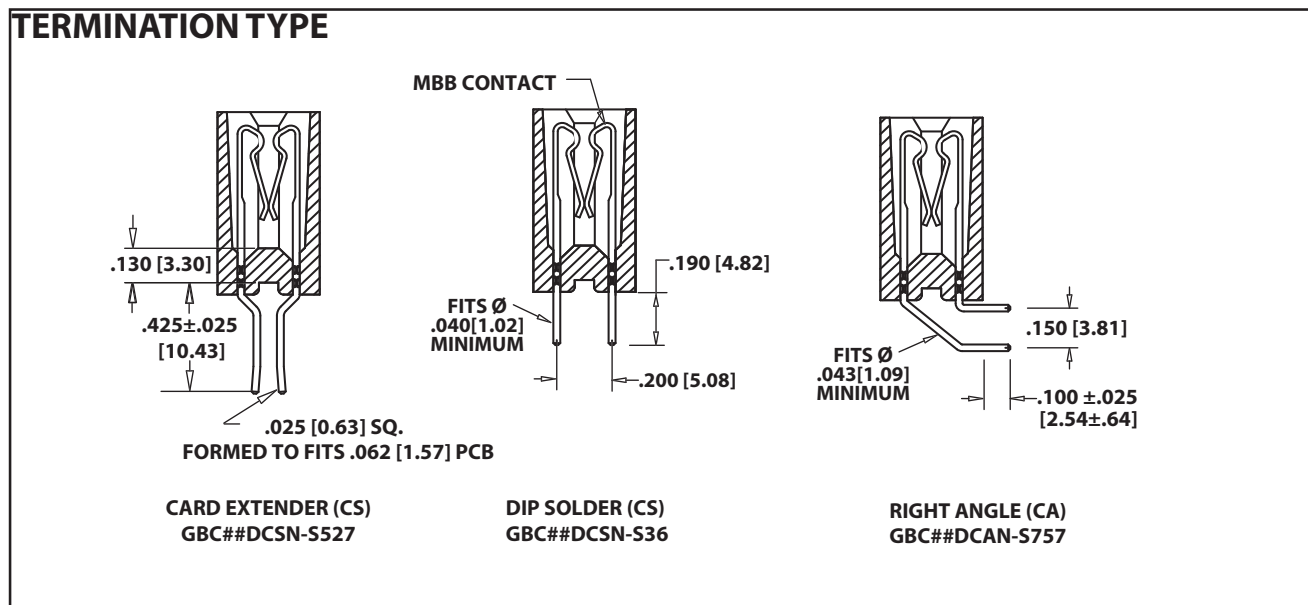
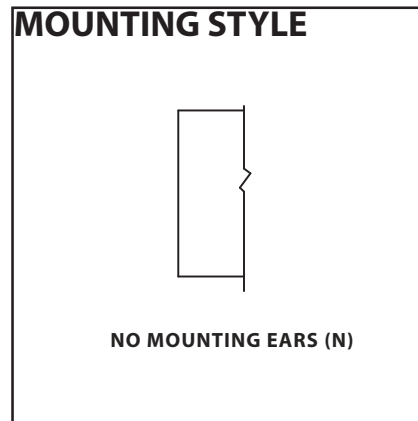
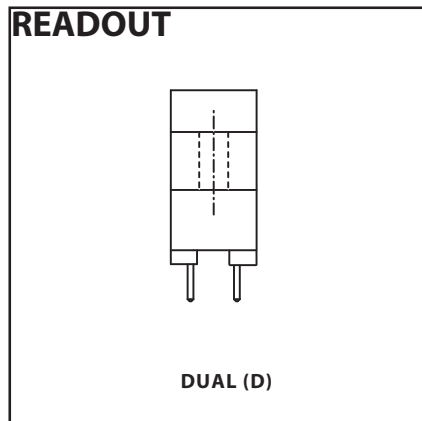
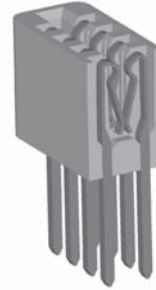




.100" [2.54 mm] Contact Centers, .690" [17.52 mm] Insulator Height
Make Before Break Dip Solder/Card Extender/Right Angle

SPECIFICATIONS

- Accommodates $.062" \pm .008"$ [1.57 ± .20] PC board
- PA9T insulator
- Molded-in key available
- 3 amp current rating per contact
- 30 milli ohm maximum at rated current





**.100" [2.54 mm] Contact Centers, .690" [17.52 mm] Insulator Height
Make Before Break Dip Solder/Card Extender/Right Angle**

Sullins Edgecards

PART NUMBER CODING

G B C 10 D CS N - S36

MATERIALS (INSULATOR/CONTACT)
 G = PA9T/Phosphor Bronze
 (Consult Factory for Other Materials)

CONTACT FINISH - RoHS Compliant
All platings are Lead Free and have .000050" Nickel underplate
Contact Surface Termination
 B = .000010" Gold .000100" Pure Tin, Matte
 C = .000030" Gold .000100" Pure Tin, Matte

CONTACT CENTERS
 C = .100" [2.54mm]

NUMBER OF CONTACT POSITIONS
 See Chart Below

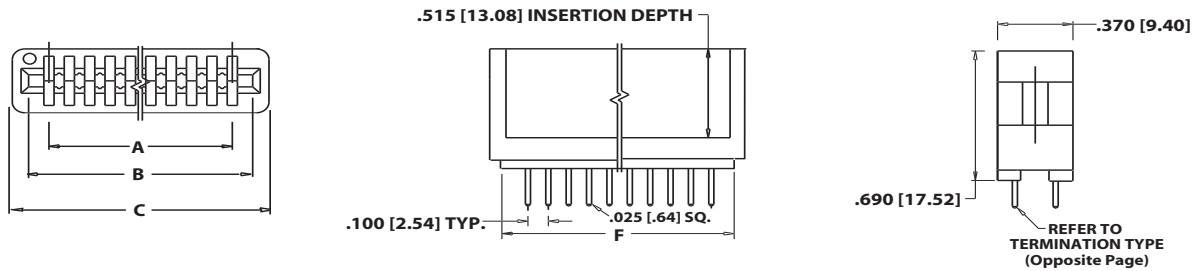
MODIFICATION CODE (Consult Factory)
 -S757 = MBB, .150" [3.81mm] Row to Row on Right Angle
 -S527 = MBB, Card Extender Accepts .062" [1.57] PCB
 -S36 = MBB, Straight Dip-Solder

MOUNTING STYLE
 N = No Mounting

TERMINATION TYPE (Opposite Page)
Hairpin Bellows
 CS = Dip Solder .025" [.64] Square
 CA = Right Angle, .100" [2.54]

READOUT (Opposite Page)
 D = Dual

DIMENSIONS Dimensions in [] are in millimeters, all others are in inches.



POSITIONS/ CONTACTS	INCHES				[MILLIMETERS]			
	A±.008	B±.008	C±.015	F±.015	A±0.20	B±0.20	C±0.38	F±0.38
02/04*	0.100	0.300	0.460	0.350	2.54	7.62	11.68	8.89
04/08*	0.300	0.500	0.660	0.550	7.62	12.70	16.76	13.97
06/12*	0.500	0.700	0.860	0.750	12.70	17.78	21.84	19.05
08/16*	0.700	0.900	1.060	0.950	17.78	22.86	26.92	24.13
10/20*	0.900	1.100	1.260	1.150	22.86	27.94	32.00	29.21
12/24	1.100	1.300	1.460	1.350	27.94	33.02	37.08	34.29
14/28	1.300	1.500	1.660	1.550	33.02	38.10	42.16	39.37
16/32*	1.500	1.700	1.860	1.750	38.10	43.18	47.24	44.45
18/36*	1.700	1.900	2.060	1.950	43.18	48.26	52.32	49.53
20/40*	1.900	2.100	2.260	2.150	48.26	53.34	57.40	54.61
22/44*	2.100	2.300	2.460	2.350	53.34	58.42	62.48	59.69
24/48*	2.300	2.500	2.660	2.550	58.42	63.50	67.56	64.77
26/52*	2.500	2.700	2.860	2.750	63.50	68.58	72.64	69.85
28/56*	2.700	2.900	3.060	2.950	68.58	73.66	77.72	74.93
30/60*	2.900	3.100	3.260	3.150	73.66	78.74	82.80	80.01
32/64*	3.100	3.300	3.460	3.350	78.74	83.82	87.88	85.09
34/68*	3.300	3.500	3.660	3.550	83.82	88.90	92.96	90.17
36/72*	3.500	3.700	3.860	3.750	88.90	93.98	98.04	95.25
38/76*	3.700	3.900	4.060	3.950	93.98	99.06	103.12	100.33
40/80*	3.900	4.100	4.260	4.150	99.06	104.14	108.20	105.41
42/84*	4.100	4.300	4.460	4.350	104.14	109.22	113.28	110.49
44/88*	4.300	4.500	4.660	4.550	109.22	114.30	118.36	115.57
46/92*	4.500	4.700	4.860	4.750	114.30	119.38	123.44	120.65
48/96*	4.700	4.900	5.060	4.950	119.38	124.46	128.52	125.73
50/100	4.900	5.100	5.260	5.150	124.46	129.54	133.60	130.81

* Consult factory for availability.