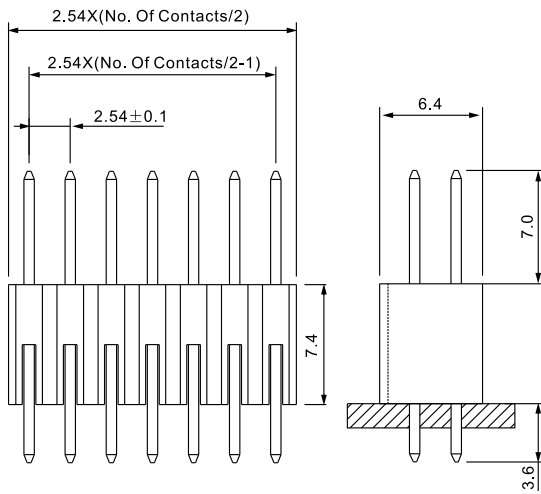


■ **Specifications**

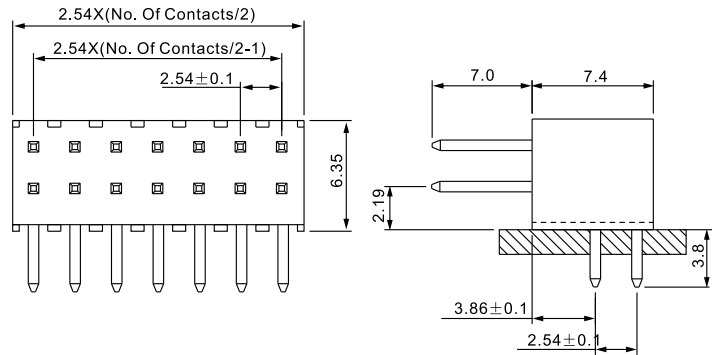
Current rating:3.0AAC/DC
Voltage rating:250V AC/DC
Contact resistance:20m ohm. max.
Insulation resistance:1000M ohm. Min.
Withstanding voltage:600V AC for one minute
Operating temperature range:-40°C to +105°C

■ **Material and Finish**

Insulator:High Temp. Plastic(UL94V-0)
Contact:Copper Alloy
Plating:Gold Plated



P/N:2215S-XXG



P/N:2215R-XXG

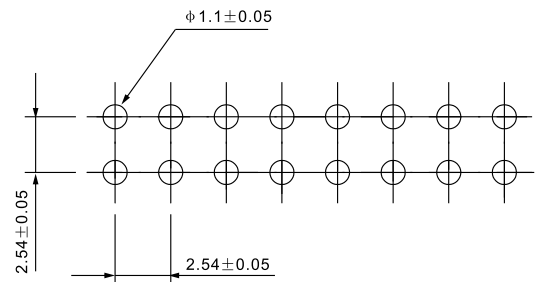
■ **Ordering Information**

2215S—XXG

① ② ③

① S: Straight Type R: Right Angle Type	② No. Of Contacts ③ G: Gold Plated
---	---------------------------------------

■ **Recommended PCB Layout**



Unit:mm