

ZLR5-30-01-T-RA



ZF5-20-01-T-WT



ZF5-30-01-T-WT



(0,50mm) .0197"

ZLR5, ZF5 SERIES

# ZIF FPC/FFC SOCKET

Mates with:  
FJH

## SPECIFICATIONS

For complete specifications and recommended PCB layouts see [www.samtec.com?ZLR5](http://www.samtec.com?ZLR5)

**Insulator Material:**

Liquid Crystal Polymer

**Contact Material:**

Phosphor Bronze

**Plating:**

Sn over 50µ" (1,27µm) Ni

**Weld Tab:**

Phosphor Bronze

**Operating Temp Range:**

-55°C to +105°C

**RoHS Compliant:**

Yes

**Processing:**

**Max Processing Temp:**

230°C for 60 seconds, or

260°C for 20 seconds 2x

**Lead-Free Solderable:**

Yes

**SMT Lead Coplanarity:**

(0,10mm) .004" max

**Note:** Some sizes, styles and options are non-standard, non-returnable.



**ZLR5** — **NO. OF POSITIONS** — **LEAD STYLE** — **PLATING OPTION** — **RA** — **OTHER OPTION**

**-20, -30**

(Call Samtec for other sizes.)

**-01**

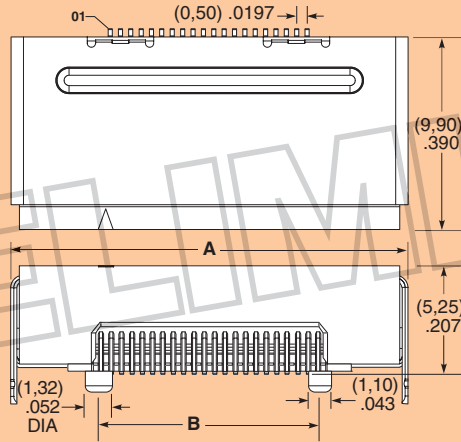
= Contacts on Top only

**-T**

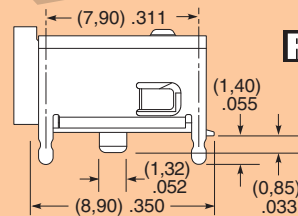
= Matte Tin

**-TR**

= Tape & Reel



NO. OF POSITIONS	A	B
-20	(19,20) .756	(10,70) .421
-30	(24,20) .953	(15,70) .618



Mates with:  
FJH, ZFHF and flex cable with stiffener thickness of (0,30mm) .012"

## SPECIFICATIONS

For complete specifications and recommended PCB layouts see [www.samtec.com?ZF5](http://www.samtec.com?ZF5)

**Insulator Material:**

High Temperature Nylon

**Contact Material:**

Phosphor Bronze

**Plating:**

Sn over 50µ" (1,27µm) Ni

**Weld Tab:**

Phosphor Bronze

**Operating Temp Range:**

-55°C to +105°C

**RoHS Compliant:** Yes

**Processing:**

**Max Processing Temp:**

230°C for 60 seconds, or

260°C for 20 seconds 2x

**Lead-Free Solderable:** Yes

**SMT Lead Coplanarity:**

(0,10mm) .004" max

**Note:** Some sizes, styles and options are non-standard, non-returnable.



**ZF5** — **NO. OF POSITIONS** — **LEAD STYLE** — **PLATING OPTION** — **WT** — **OPTION**

**-10, -15, -20, -25, -30, -40, -43, -50**

(Call Samtec for other sizes.)

**-01**

= Contact Bottom

**-T**

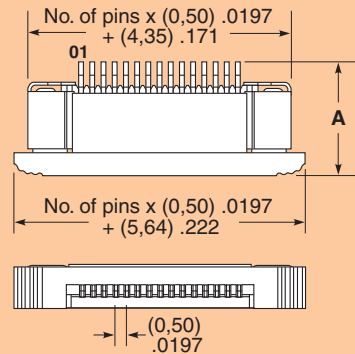
= Matte Tin

**-WT**

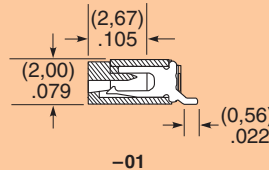
= Weld Tab

**-TR**

= Tape & Reel Packaging



NO. OF POSITIONS	A
-10, -15, -20, -25	(5,49) .216
-30	(5,59) .220
-40, -43	(5,69) .224



## ALSO AVAILABLE

Vertical, Contact Top and other positions available. Call Samtec.

Due to technical progress, all designs, specifications and components are subject to change without notice.

[WWW.SAMTEC.COM](http://WWW.SAMTEC.COM)