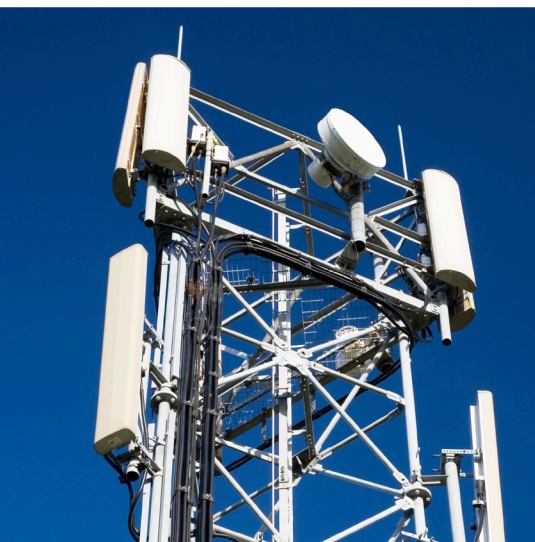
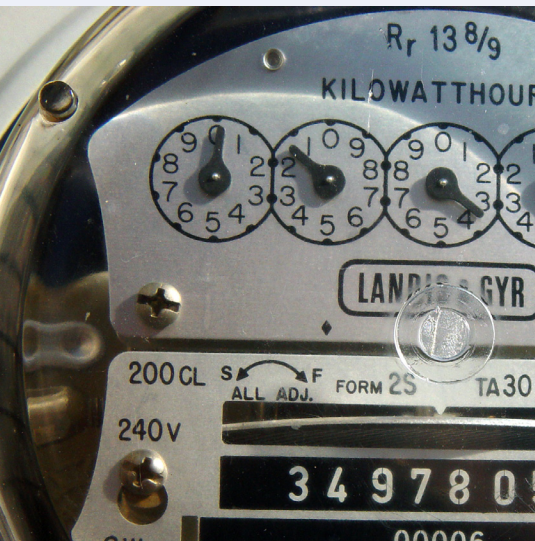


FEATURES AND BENEFITS

- Highest power performance available
- Lowest RC time constant
- Over 1,000,000 duty cycles
- Proprietary material science and packaging technology
- Threaded terminal or weldable posts

TYPICAL APPLICATIONS

- Automotive subsystems
- Grid Stabilization
- Hybrid drive trains
- Rail system power
- Transportation
- Utility vehicles



PRODUCT SPECIFICATIONS

ELECTRICAL	BCAP0001	BCAP0003	BCAP0005	BCAP0010	BCAP0025
Rated Capacitance ¹	1 F	3.3 F	5 F	10 F	25 F
Minimum Capacitance, initial ¹	0.8 F	2.6 F	4.0 F	8.0 F	25 F
Maximum ESR _{DC} , initial ¹	700 mΩ	290 mΩ	170 mΩ	75 mΩ	42 mΩ
Rated Voltage	2.70 V	2.70 V	2.70 V	2.70 V	2.70 V
Absolute Maximum Voltage ¹¹	2.85 V	2.85 V	2.85 V	2.85 V	2.85 V
Maximum Continuous Current ($\Delta T = 15^{\circ}\text{C}$) ²	0.4 A _{RMS}	0.8 A _{RMS}	1.1 A _{RMS}	2.2 A _{RMS}	2.8 A _{RMS}
Maximum Continuous Current ($\Delta T = 40^{\circ}\text{C}$) ²	0.7 A _{RMS}	1.3 A _{RMS}	1.8 A _{RMS}	3.5 A _{RMS}	4.5 A _{RMS}
Maximum Peak Current, 1 second ³	0.8 A	2.3 A	3.6 A	8 A	16 A
Leakage Current, maximum ⁴	0.006 mA	0.012 mA	0.015 mA	0.030 mA	0.045 mA

TEMPERATURE

Operating temperature range
(Cell case temperature)

Minimum	-40°C	-40°C	-40°C	-40°C	-40°C
Maximum	65°C	65°C	65°C	65°C	65°C

Storage temperature range
(Stored uncharged)

Minimum	-40°C	-40°C	-40°C	-40°C	-40°C
Maximum	70°C	70°C	70°C	70°C	70°C

PHYSICAL

Mass, typical	1.1 g	2.0 g	2.3 g	4.0 g	7.5 g
Terminals	Wire Leads	Wire Leads	Wire Leads	Wire Leads	Wire Leads
Vibration	-	-	-	-	-
Shock	-	-	-	-	-

ELECTRICAL	BCAP0050	BCAP0100 T01	BCAP0100 T07	BCAP0150
Rated Capacitance ¹	50 F	100 F	100 F	150 F
Minimum Capacitance, initial ¹	50 F	100 F	100 F	150 F
Maximum ESR _{DC} , initial ¹	20 mΩ	15 mΩ	15 mΩ	14 mΩ
Rated Voltage	2.70 V	2.70 V	2.70 V	2.70 V
Absolute Maximum Voltage ¹¹	2.85 V	2.85 V	2.85 V	2.85 V
Maximum Continuous Current (ΔT = 15°C) ²	5.4 A _{RMS}	6.7 A _{RMS}	6.7 A _{RMS}	7.7 A _{RMS}
Maximum Continuous Current (ΔT = 40°C) ²	8.8 A _{RMS}	11 A _{RMS}	11 A _{RMS}	13 A _{RMS}
Maximum Peak Current, 1 second ³	340 A	54 A	54 A	65 A
Leakage Current, maximum ⁴	0.075 mA	0.260 mA	0.260 mA	0.500 mA

TEMPERATURE

Operating temperature range (Cell case temperature)				
Minimum	-40°C	-40°C	-40°C	-40°C
Maximum	65°C	65°C	65°C	65°C
Storage temperature range (Stored uncharged)				
Minimum	-40°C	-40°C	-40°C	-40°C
Maximum	70°C	70°C	70°C	70°C

PHYSICAL

Mass, typical	13 g	23 g	23 g	35 g
Terminals	Wire Leads	Wire Leads	Snap In	Snap in
Vibration	-	-	-	-
Shock	-	-	-	-

PRODUCT SPECIFICATIONS (Cont'd)

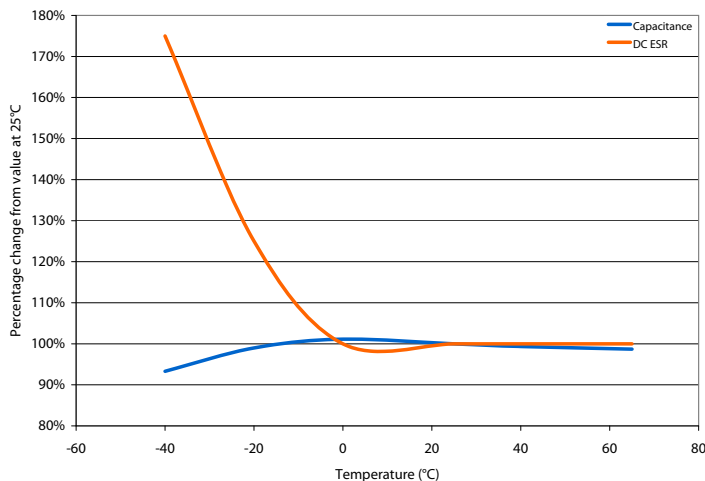
POWER & ENERGY	BCAP0001	BCAP0003	BCAP0005	BCAP0010	BCAP0025
Usable Specific Power, P_d^5	1,100 W/kg	1,500 W/kg	2,200 W/kg	2,900 W/kg	2,800 W/kg
Impedance Match Specific Power, P_{max}^6	2,400 W/kg	3,100 W/kg	4,700 W/kg	6,100 W/kg	5,800 W/kg
Specific Energy, E_{max}^7	0.9 Wh/kg	1.7 Wh/kg	2.2 Wh/kg	2.5 Wh/kg	3.4 Wh/kg
Stored Energy ⁸	0.001 Wh	0.003 Wh	0.005 Wh	0.010 Wh	0.025 Wh
LIFE					
High Temperature¹ (at Rated Voltage & Maximum Operating Temperature)	1,000 hours	1,000 hours	1,000 hours	1,000 hours	1,000 hours
Capacitance Change (% decrease from minimum initial value)	30%	30%	30%	30%	30%
ESR Change (% increase from maximum initial value)	100%	100%	100%	100%	100%
Room Temperature¹ (at Rated Voltage & 25°C)	10 years	10 years	10 years	10 years	10 years
Capacitance Change (% decrease from minimum initial value)	30%	30%	30%	30%	30%
ESR Change (% increase from maximum initial value)	100%	100%	100%	100%	100%
Cycle Life^{1,9}	500,000 cycles	500,000 cycles	500,000 cycles	500,000 cycles	500,000 cycles
Capacitance Change (% decrease from minimum initial value)	30%	30%	30%	30%	30%
ESR Change (% increase from maximum initial value)	100%	100%	100%	100%	100%
Test Current	0.1 A	0.3 A	0.5 A	1.0 A	2.5 A
Shelf Life^{1,10} (Stored uncharged up to a maximum storage temperature)	2 years	2 years	2 years	2 years	2 years
SAFETY					
Short Circuit Current, typical (Current possible with short circuit from rated voltage. Do not use as an operating current.)	4 A	9 A	16 A	36 A	64 A
Certifications	UL810a, RoHS	UL810a, RoHS	UL810a, RoHS	UL810a, RoHS	UL810a, RoHS

POWER & ENERGY	BCAP0050	BCAP0100 T01	BCAP0100 T07	BCAP0150
Usable Specific Power, P_d^5	3,400 W/kg	2,500 W/kg	2,300 W/kg	1,800 W/kg
Impedance Match Specific Power, P_{max}^6	7,000 W/kg	5,300 W/kg	4,900 W/kg	3,700 W/kg
Specific Energy, E_{max}^7	3.9 Wh/kg	4.4 Wh/kg	4.1 Wh/kg	4.3 Wh/kg
Stored Energy ⁸	0.051 Wh	0.101 Wh	0.101 Wh	0.152 Wh
LIFE				
High Temperature¹ (at Rated Voltage & Maximum Operating Temperature)	1,000 hours	1,000 hours	1,000 hours	1,000 hours
Capacitance Change (% decrease from minimum initial value)	30%	30%	30%	30%
ESR Change (% increase from maximum initial value)	100%	100%	100%	100%
Room Temperature¹ (at Rated Voltage & 25°C)	10 years	10 years	10 years	10 years
Capacitance Change (% decrease from minimum initial value)	30%	30%	30%	30%
ESR Change (% increase from maximum initial value)	100%	100%	100%	100%
Cycle Life^{1,9}	500,000 cycles	500,000 cycles	500,000 cycles	500,000 cycles
Capacitance Change (% decrease from minimum initial value)	30%	30%	30%	30%
ESR Change (% increase from maximum initial value)	100%	100%	100%	100%
Test Current	5 A	10 A	10 A	15 A
Shelf Life^{1,10} (Stored uncharged up to a maximum storage temperature)	2 years	2 years	2 years	2 years
SAFETY				
Short Circuit Current, typical (Current possible with short circuit from rated voltage. Do not use as an operating current.)	140 A	180 A	180 A	190 A
Certifications	UL810a, RoHS	UL810a, RoHS	UL810a, RoHS	UL810a, RoHS

TYPICAL CHARACTERISTICS

THERMAL CHARACTERISTICS	BCAP0001	BCAP0003	BCAP0005	BCAP0010	BCAP0025
Thermal Resistance (R _{th} , Case to Ambient), typical ²	120°C/W	76°C/W	73°C/W	43°C/W	47°C/W
Thermal Capacitance (C _{th}), typical ²	1.0 J/°C	1.4 J/°C	2.0 J/°C	3.6 J/°C	6.3 J/°C

THERMAL CHARACTERISTICS	BCAP0050	BCAP0100 T01	BCAP0100 T07	BCAP0150
Thermal Resistance (R _{th} , Case to Ambient), typical ²	26°C/W	22°C/W	22°C/W	18°C/W
Thermal Capacitance (C _{th}), typical ²	13 J/°C	23 J/°C	23 J/°C	32 J/°C



NOTES

1. Capacitance and ESR_{DC} measured at 25°C per Document Number 1007239 available at www.maxwell.com.
2. Per Maxwell Document 1007239 available at www.maxwell.com.
3. Maximum Peak current (1 sec) = $\frac{1/2 CV}{C \times ESR_{DC} + 1}$
4. After 72 hours at 25°C and rated voltage. Initial leakage current can be higher.
5. Per IEC 62391-2, $P_d = \frac{0.12V^2}{ESR_{DC} \times mass}$

6. $P_{max} = \frac{V^2}{4 \times ESR_{DC} \times mass}$
7. $E_{max} = \frac{1/2 CV^2}{3,600 \times mass}$
8. $E_{stored} = 1/2 CV^2$
9. Cycle per Document Number 10007239 available at www.maxwell.com.
10. No more than 10% decrease in capacitance from minimum initial capacitance or 50% increase in ESR from maximum initial ESR.
11. Absolute maximum voltage non repeated, not to exceed 1 second.

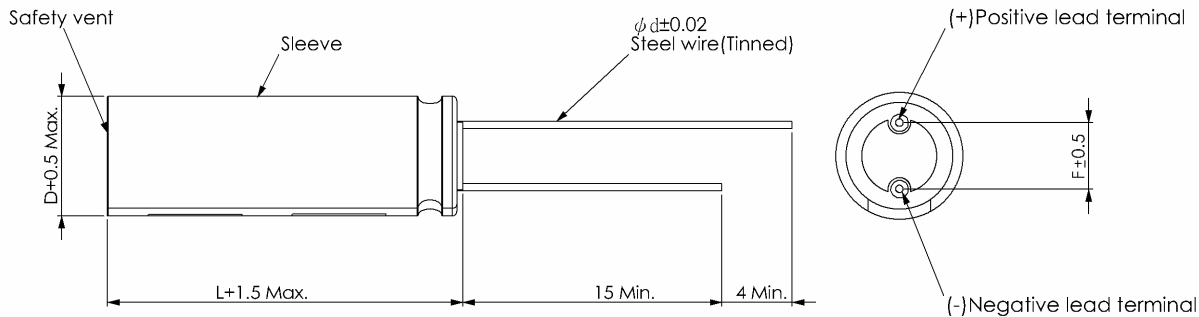
MOUNTING RECOMMENDATIONS

Do not reverse polarity. Please refer to document number 1008238, available at maxwell.com for soldering recommendations.

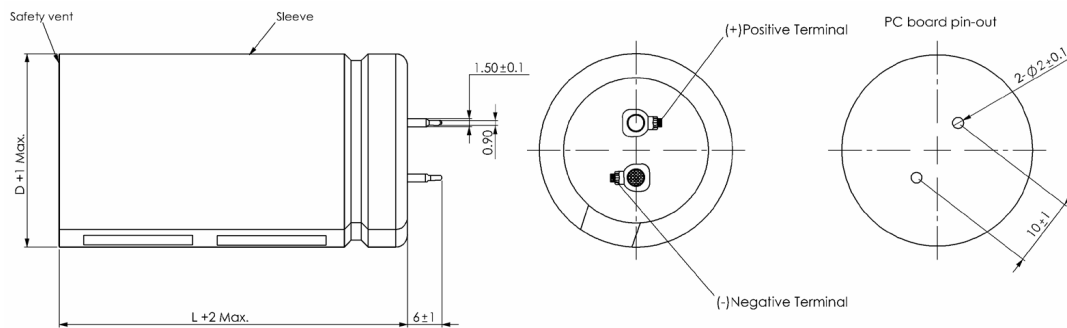
MARKINGS

Products are marked with the following information: Rated capacitance, rated voltage, product number, name of manufacturer, positive and negative terminal, warning marking, serial number.

BCAP0001, 3, 5, 10, 25, 50, 100 (T01)



BCAP0100 (T07), 150



Part Description	Dimensions (mm)				Package Quantity
	L	D	d	F	
BCAP0001 P270	12	8	0.6	3.8	4,000
BCAP0003 P270	20	8	0.6	5	4,000
BCAP0005 P270	20	10	0.6	5	4,000
BCAP0010 P270	30	10	0.6	5	3,000
BCAP0025 P270	26	16	0.8	7.5	1,300
BCAP0050 P270	40	18	0.8	7.5	800
BCAP0100 P270 T01	45	22	1	9.5	400
BCAP0100 P270 T07	45	22	-	-	400
BCAP0150 P270	50	25	-	-	400

Product dimensions are for reference only unless otherwise identified. Product dimensions and specifications may change without notice. Please contact Maxwell Technologies directly for any technical specifications critical to application. All products featured on this datasheet are covered by the following U.S. patents and their respective foreign counterparts:



Maxwell Technologies, Inc.
Global Headquarters
5271 Viewridge Court, Suite 100
San Diego, CA 92123
USA
Tel: +1 858 503 3300
Fax: +1 858 503 3301



Maxwell Technologies SA
CH-1728 Rossens
Switzerland
Tel: +41 (0)26 411 85 00
Fax: +41 (0)26 411 85 05



Maxwell Technologies, GmbH
Brucker Strasse 21
D-82205 Gilching
Germany
Tel: +49 (0)8105 24 16 16
Fax: +49 (0)8105 24 16 19



Maxwell Technologies, Inc.
Shanghai Representative Office
13E, CR Times Square
500 Zhangyang Road, Pudong
Shanghai 200122, P.R. China
Tel: +86 21 5836 8780
Fax: +86 21 5836 8790