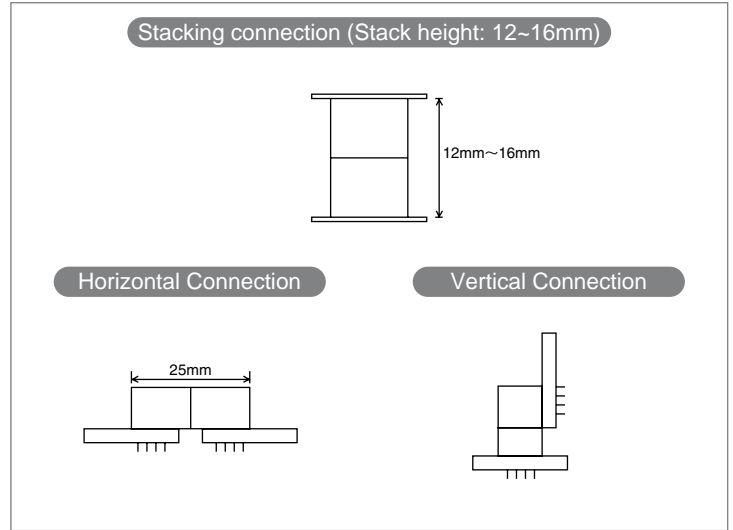
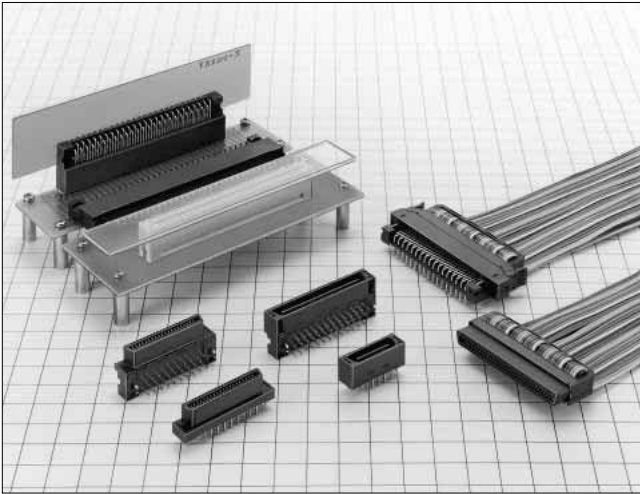


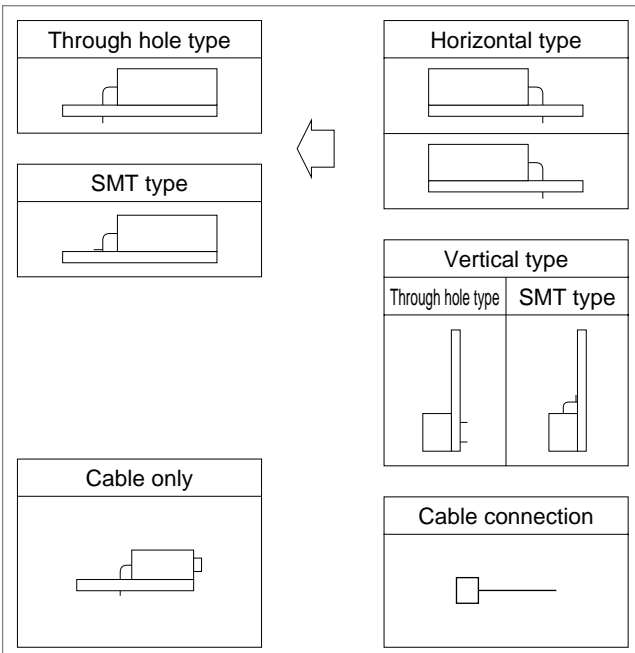
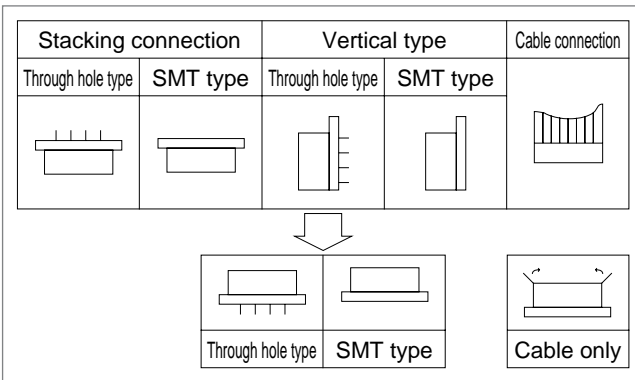
# 1.27mm Pitch Multi-function Two Piece Connector

## FX2 Series



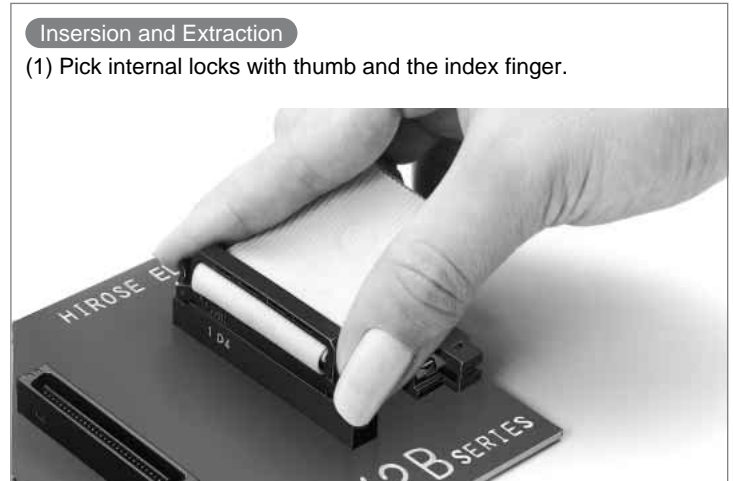
### ■ Features

#### 1. Various connection with various product line

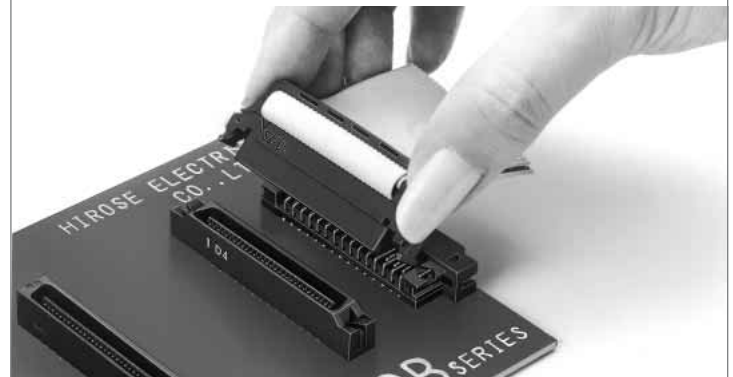


#### 2. Easy One-Touch Operation

The ribbon cable connection type allows easy one-touch operation with either single hand.



(2) With unique and preferable click feeling, the cable and connector can be inserted or withdrawn.



(For insertion, the operation proceeds from procedure (2) to (1).)

**FX2 Series 1.27mm Pitch Multi-function Two Piece Connector**

**3. Board to board type**

① **Flux swell prevention**

The straight through hole type takes the complete flux tight action from the board back side at solder dipping. The type is prepared, corresponding to whether or not cleaning is required.

② **Stack height 12mm to 16mm**

The board stack height can be set to every 1 mm unit up to 12 to 16mm.

③ **Mis-insertion preventive mechanism**

The mating area is designed in a mechanism so as to prevent mis-insertion, and complete countermeasures have been taken against wrenching.

**4. Board to cable type**

① **Complete lock with easy operation**

Employing the inner lock system, complete lock and eject actions can be performed with easy operation.

② **Applicable cable**

The applicable cable is the <UL2651>AWG#28 flat cable (7/0.127mm), and the jacket size is 0.9±0.1mm.

**5. SMT type**

**Strength security with metaltab**

The right angle type is equipped with metaltab to secure soldering strength, and constructed so as to fix by screws. The straight type can choose whether or not metaltab are required.

**Applications**

Computers, peripheral equipments, various machines etc.

**Product Specifications**

|        |                        |   |   |
|--------|------------------------|---|---|
| Rating | Current rating 0.5A    | Operating Temperature Range -55°C to +85°C (Note 1) | Storage Temperature Range -10°C to +60°C (Note 2) |
|        | Voltage rating 125V AC | Operating Humidity Range 40 to 80%                  | Storage Humidity Range 40 to 70% (Note 2)         |

| Item                             | Specification  | Condition  |
|----------------------------------|--|--|
| 1. Insulation Resistance         | 1000M ohms min   | 250V DC  |
| 2. Withstanding Voltage          | No flashover or insulation breakdown.  | 300V AC/1 minute   |
| 3. Contact Resistance            | 45m ohms max.  | 100mA  |
| 4. Vibration                     | No electrical discontinuity of 1μs or more   | Frequency: 10 to 55 Hz, single amplitude of 0.75 mm, 2 hours in each of the 3 directions.                    |
| 5. Humidity (Steady state)       | Contact resistance: 55m ohms max. Insulation resistance: 100M ohms min.  | 96 hours at temperature of 40°C and humidity of 90% to 95%   |
| 6. Temperature Cycle             | Contact resistance: 55m ohms max.<br>Insulation resistance: 100M ohms min.<br>No damage, cracks, or parts looseness. | (-55°C: 30 minutes → 15 to 35°C: 2 to 3 minutes →<br>85°C: 30 minutes → 15 to 35°C: 2 to 3 minutes) 5 cycles |
| 7. Durability (Mating/un-mating) | Contact resistance: 55 m ohms max.   | 500 cycles   |
| 8. Resistance to soldering heat  | No deformation of components affecting performance.  | SMT Type<br>Reflow: At the recommended temperature profile<br>Manual soldering: 360°C for 5 seconds          |
|                                  |  | DIP Type<br>Solder bath: 260°C for 10 seconds<br>Manual soldering: 360°C for 5 seconds                       |

Note 1: Includes temperature rise caused by current flow.

Note 2: The term "storage" refers to products stored for long period of time prior to mounting and use. Operating Temperature Range and Humidity range covers non conducting condition of installed connectors in storage, shipment or during transportation.

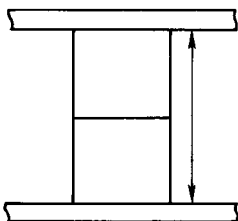
Note 3: Information contained in this catalog represents general requirements for this Series. Contact us for the drawings and specifications for a specific part number shown.

**Material**

| Parts     | Material   | Finish                   | Remark                |
|-----------|------------|--------------------------|-----------------------|
| Insulator | Dip type   | Polyamid                 | UL94V-0               |
|           | Socket     | PBT/Polyamid             |                       |
|           | SMT type   | PPS                      |                       |
| Contact   | Receptacle | Phosphor bronze          | Selective gold plated |
|           | Socket     |                          |                       |
|           | Header     | Phosphor bronze or brass |                       |

**Stacking Variation**

Unit:mm



| Header   | Receptacle           | Dip type           |                     | SMT type         |
|----------|----------------------|--------------------|---------------------|------------------|
|          |                      | FX2C-*S-1.27DSA(L) | FX2C2-*S-1.27DSA(L) | FX2-*S-1.27SV(L) |
| Dip type | FX2C-*P-1.27DSA(L)   | 12                 | 14.0                | 12.2             |
|          | FX2CA-*P-1.27DSA(L)  |                    |                     |                  |
|          | FX2CA1-*P-1.27DSA(L) | 13                 | 15.0                | 13.2             |
|          | FX2CA2-*P-1.27DSA(L) | 14                 | 16.0                | 14.2             |
| SMT type | FX2-*P-1.27SV(L)     | 12.1               | 14.1                | 12.3             |

## ■ Ordering Information

### ● Board to Board Receptacle

FX2   CA 2 - \* S - 1.27 DSA L  
 ①   ②   ③   ④   ⑤   ⑥   ⑦   ⑧

|  |  |
|--|--|
| ① Series Name :FX2   | ④ Number of contacts: 20, 32, 40, 52, 60, 68, 80, 100, 120     |
| ② Blank: Right angle type<br>C : Straight non-cleaning type<br>CA : Straight cleaning type | ⑤ Connector type: S: Receptacle                                |
| ③ Product height variation (DSA only)<br>Blank : Standard product<br>2 : +2mm              | ⑥ Contact pitch: 1.27mm  |
|  | ⑦ Contact type<br>DS : Right angle type<br>DSA : Straight type |
|  | ⑧ L: Board prefixed pin  |

### ● Board to Board Header

FX2   CA 1 - \* P - 1.27 DSA L  
 ①   ②   ③   ④   ⑤   ⑥   ⑦   ⑧

|  |   |
|--|---|
| ① Series Name :FX2   | ④ Number of contacts: 20, 32, 40, 52, 60, 68, 80, 100, 120      |
| ② None : Right angle type<br>C : Straight non-cleaning type<br>CA : Straight cleaning type | ⑤ Connector type: P: header                                     |
| ③ Product height variation (DSA only)<br>Blank : Standard product<br>1 : +1mm<br>2 : +2mm  | ⑥ Contact pitch: 1.27mm   |
|  | ⑦ Contact type:<br>DS : Right angle type<br>DSA : Straight type |
|  | ⑧ L: Board prefixed pin   |

Note 1. C and CA take complete countermeasures against flux.

Note 2. Cleaning type: the liquid escape hole is added at dip cleaning.

Note 3. No-cleaning type: no liquid escape hole is added at dip cleaning.

### ● Board to Cable Socket

FX2   BA - \* S A - 1.27 R  
 ①   ②   ③   ④   ⑤   ⑥   ⑦

|   |  |
|---|--|
| ① Series Name : FX2                                   | ④ S: Socket                            |
| ② B : Lock cable type<br>BA : No lock cable type      | ⑤ A: Contact material: phosphor bronze |
| ③ Number of contacts: 20, 32, 40, 52, 60, 68, 80, 100 | ⑥ Contact pitch: 1.27mm                |
|   | ⑦ R: Insulation displacement           |

**FX2 Series 1.27mm Pitch Multi-function Two Piece Connector**

●Board to Cable Header

FX2    BA - \* P A - 1.27 DSA L  
 ①        ②        ③    ④    ⑤        ⑥        ⑦        ⑧

|   |   |
|---|---|
| ① Series Name : FX2   | ⑤ None : Contact material: phosphor bronze<br>A : Contact material: brass |
| ② B : Lock straight no cleaning type<br>: Lock right angle type<br>BA : Lock straight cleaning type | ⑥ Contact pitch: 1.27mm   |
| ③ Number of contacts: 20, 32, 40, 52, 60, 68, 80, 100   | ⑦ Contact type:<br>DS : Right angle type<br>DSA : Straight type           |
| ④ Connector type: P: header   | ⑧ L: Board prefixed pin   |

Note 1. Cleaning type: The liquid escape hole is added at dip cleaning.  
 Note 2. No cleaning type: No liquid escape hole is added at dip cleaning.  
 Note 3. Straight 20 and 32 contact types use phosphor bronze for contact material.

●Straight SMT Type

FX2    - \* P - 1.27 SV L  
 ①        ②    ③        ④        ⑤        ⑥

|  |  |
|--|--|
| ① Series Name :FX2   | ④ Contact pitch: 1.27mm                  |
| ② Number of contacts: 20, 32, 40, 52, 60, 68, 80, 100, 120 | ⑤ Contact type:<br>SV: Straight SMT type |
| ③ Connector type: P: Header<br>S: Receptacle               | ⑥ L: Board prefixed pin                  |

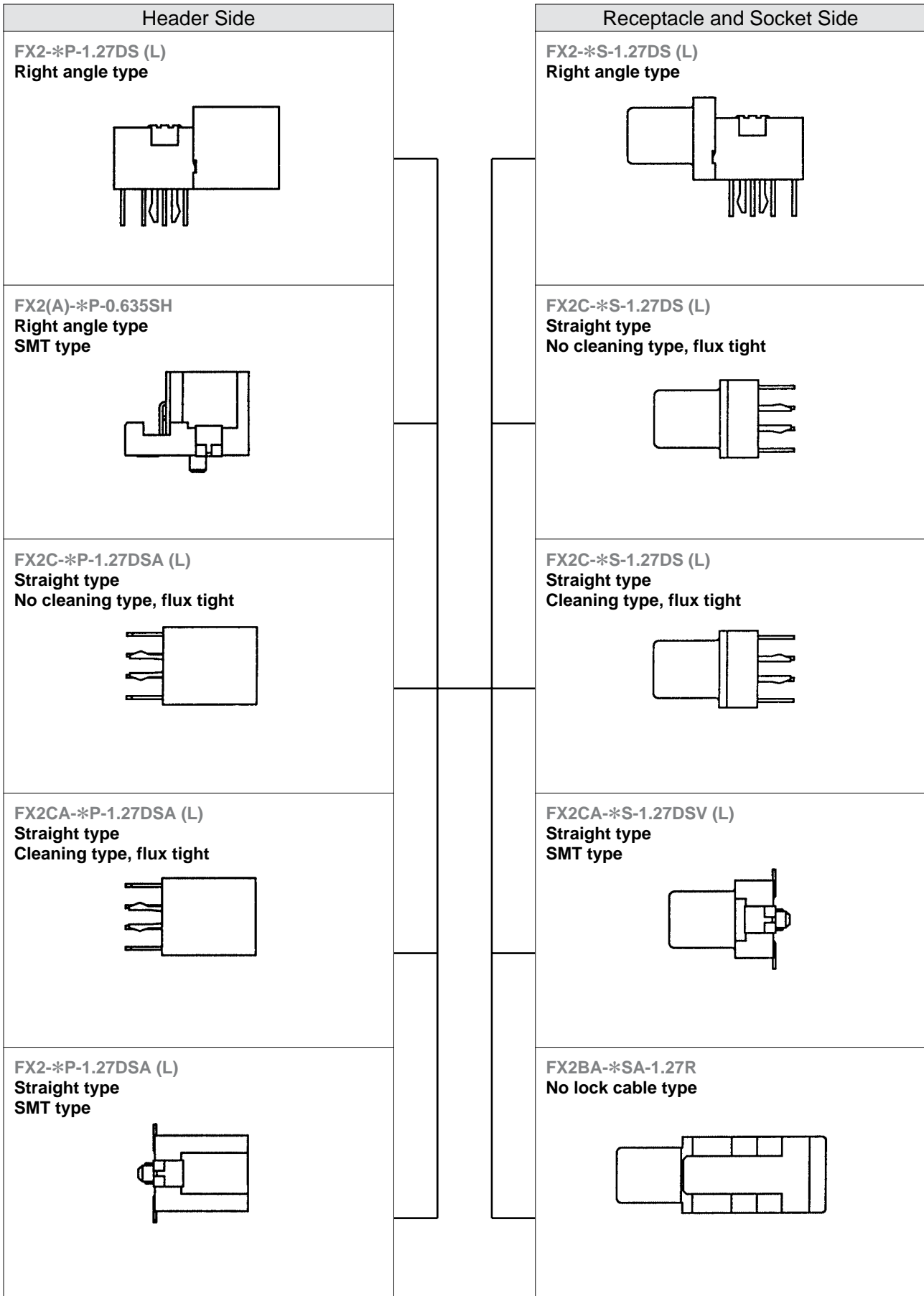
●Header Right Angle SMT Type

FX2    A - \* P - 0.635 SH  
 ①        ②        ③    ④        ⑤        ⑥

|  |  |
|--|--|
| ① Series Name :FX2                       | ④ Connector type: P: Header                |
| ② Blank: With boss<br>A : Without boss   | ⑤ Mounting area pitch: 0.635mm             |
| ③ Number of contacts: 20, 40, 52, 60, 80 | ⑥ Contact type<br>SH: Right angle SMT type |

## ◆FX2 Functional Flow Chart

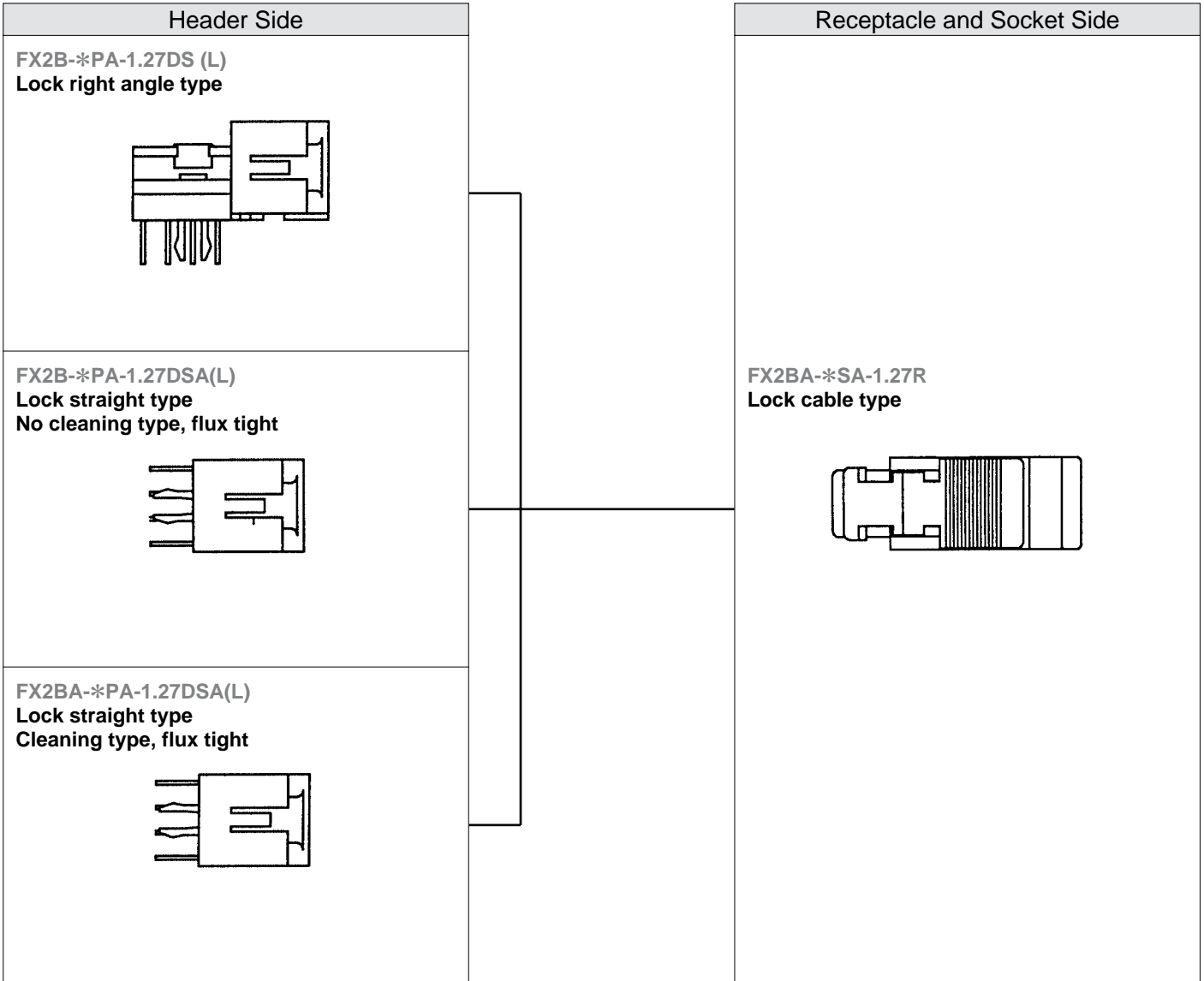
### Board to Board Cable Type



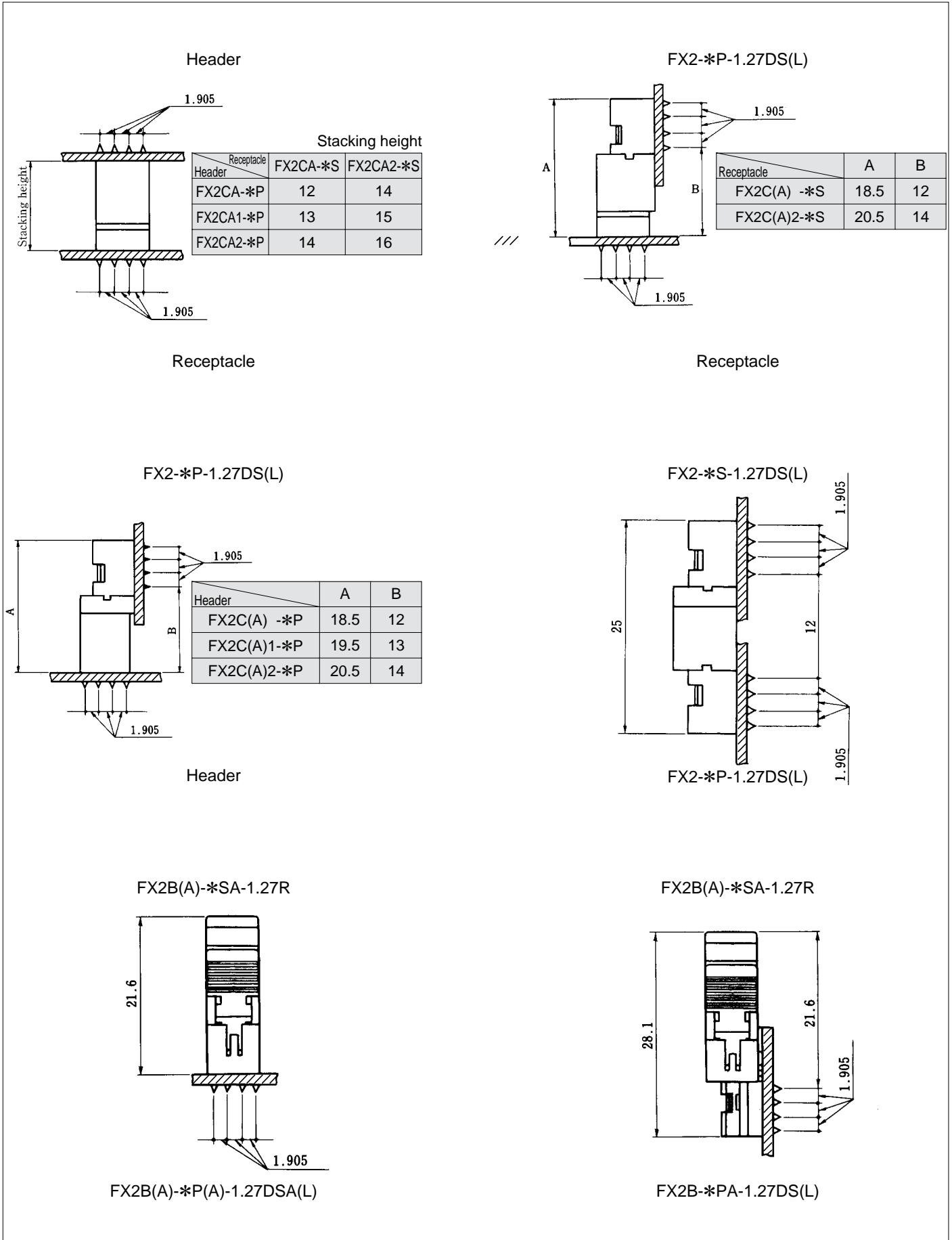
## FX2 Series 1.27mm Pitch Multi-Function Two Piece Connector

### ◆FX2 Functional Flow Chart

Board to Board Cable Type

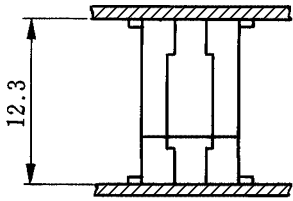


## ◆ Through hole Type Application Pattern



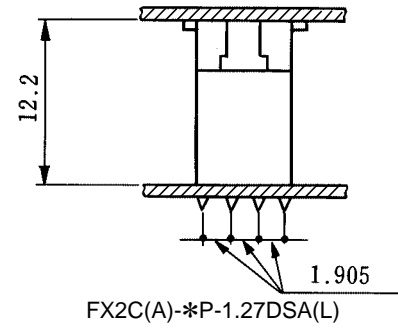
## ◆ SMT Type Application Pattern

FX2-\*P-1.27SV(L)



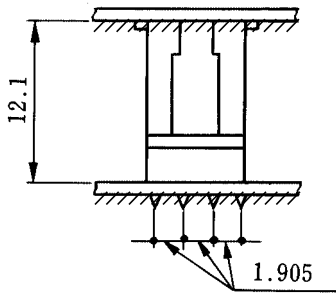
FX2-\*S-1.27SV(L)

FX2-\*S-1.27SV(L)



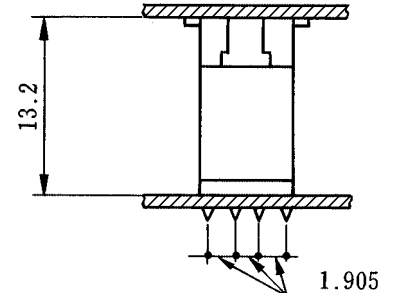
FX2C(A)-\*P-1.27DSA(L)

FX2-\*P-1.27SV(L)



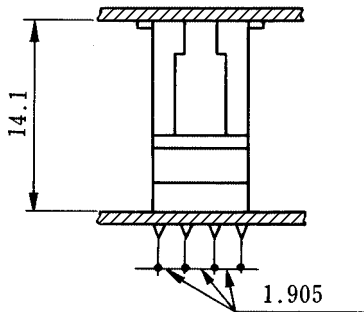
FX2C(A)-\*S-1.27-DSA(L)

FX2-\*S-1.27SV(L)



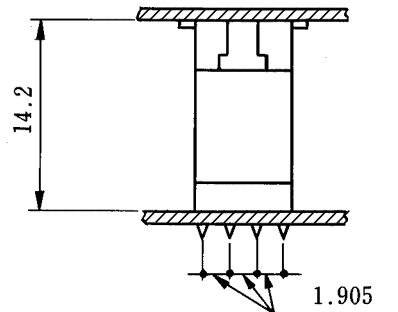
FX2C(A)1-\*P-1.27DSA(L)

FX2-\*P-1.27SV(L)



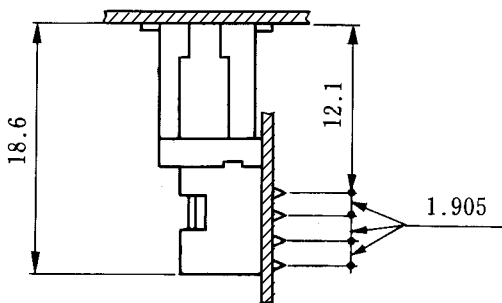
FX2C(A)2-\*S-1.27DSA(L)

FX2-\*S-1.27SV(L)



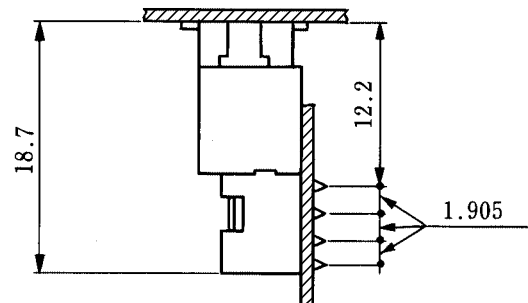
FX2C(A)2-\*P-1.27DSA(L)

FX2-\*P-1.27SV(L)



FX2-\*S-1.27DS(L)

FX2-\*S-1.27SV(L)



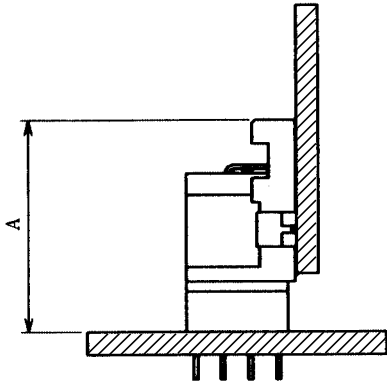
FX2-\*P-1.27DS(L)



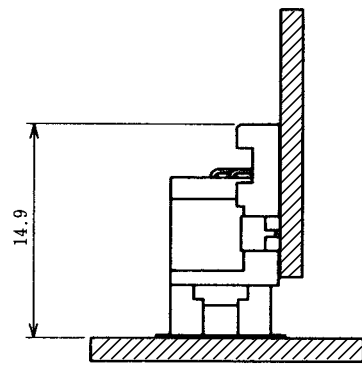
## ◆ SMT Type Application Pattern

FX2(A)-\*P-0.635SH

| Receptacle | A    |
|------------|------|
| FX2C(A)    | 14.7 |
| FX2C(A)2   | 16.7 |



FX2(A)-\*P-0.635SH

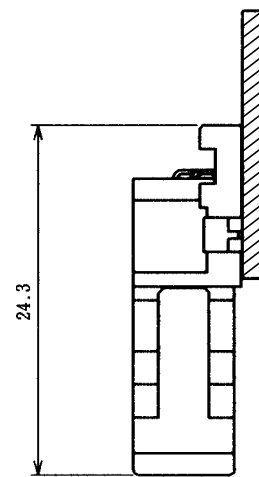
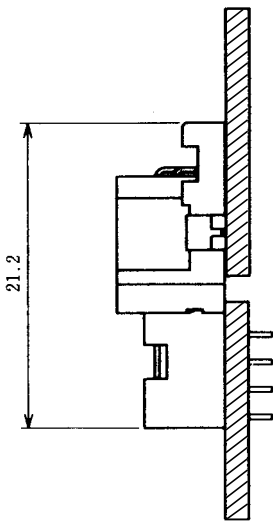


FX2C(A\*2)-\*S-1.27DSA(L)

FX2-\*S-1.27SV(L)

FX2(A)-\*P-0.635SH

FX2(A)-\*P-0.635SH



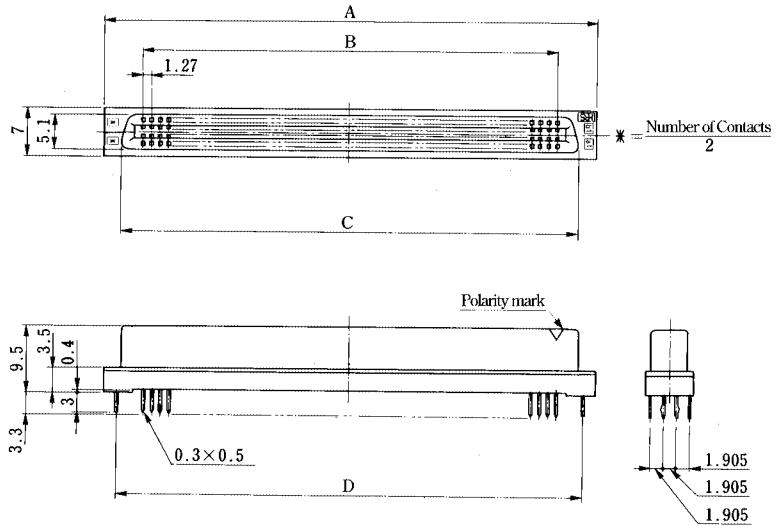
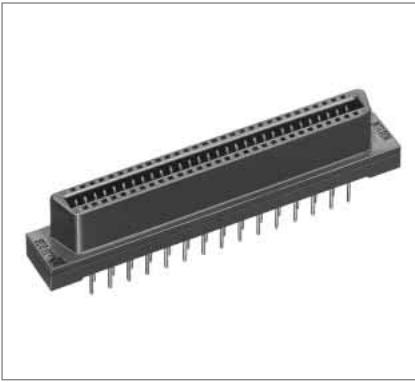
FX2-\*S-1.27DS(L)

FX2BA-\*SA-1.27R

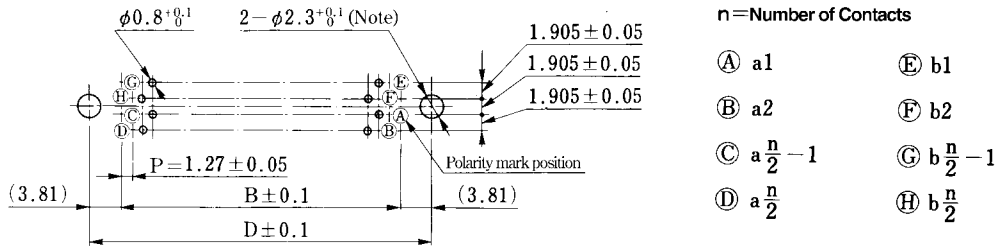
FX2 Series 1.27mm Pitch Multi-Function Two Piece Connector

## ■ Receptacle No Cleaning Type

### ● Straight Type



### ◆ PCB mounting pattern



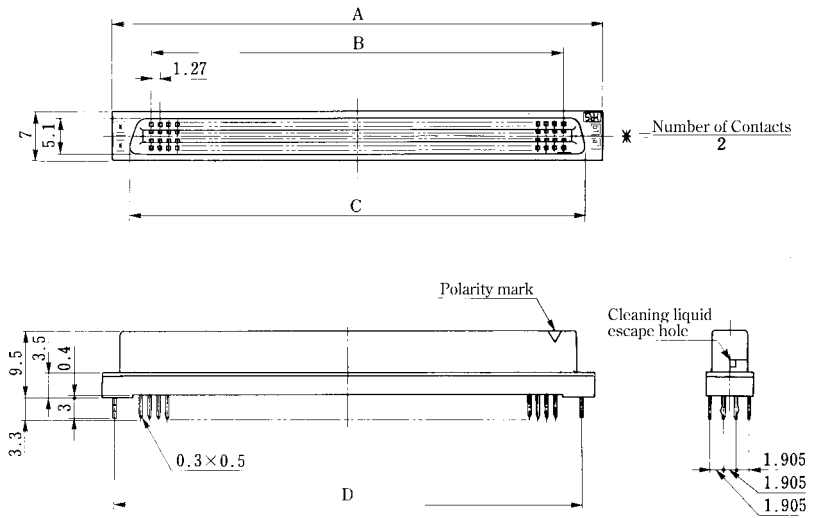
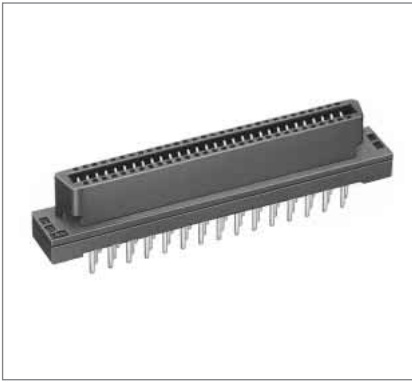
Note: Not required, if no prefixed pin is attached.

Unit:mm

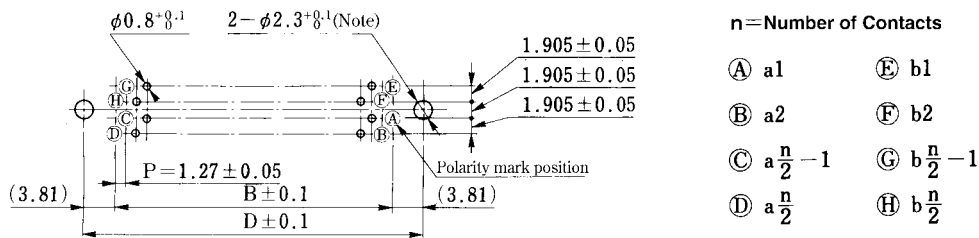
| Part Number            | CL No.        | Number of Contacts | A     | B     | C     | D     | RoHS |
|------------------------|---------------|--------------------|-------|-------|-------|-------|------|
| FX2C- 20S-1.27DSA(71)  | 572-2401-7-71 | 20                 | 22.75 | 11.43 | 17.63 | _____ | YES  |
| FX2C- 20S-1.27DSAL(71) | 572-2451-5-71 |                    |       |       |       | 19.05 |      |
| FX2C- 32S-1.27DSA(71)  | 572-2402-0-71 | 32                 | 30.37 | 19.05 | 25.25 | _____ |      |
| FX2C- 32S-1.27DSAL(71) | 572-2452-8-71 |                    |       |       |       | 26.67 |      |
| FX2C- 40S-1.27DSA(71)  | 572-2403-2-71 | 40                 | 35.45 | 24.13 | 30.33 | _____ |      |
| FX2C- 40S-1.27DSAL(71) | 572-2453-0-71 |                    |       |       |       | 31.75 |      |
| FX2C- 52S-1.27DSA(71)  | 572-2404-5-71 | 52                 | 43.07 | 31.75 | 37.95 | _____ |      |
| FX2C- 52S-1.27DSAL(71) | 572-2454-3-71 |                    |       |       |       | 39.37 |      |
| FX2C- 60S-1.27DSA(71)  | 572-2405-8-71 | 60                 | 48.15 | 36.83 | 43.03 | _____ |      |
| FX2C- 60S-1.27DSAL(71) | 572-2455-6-71 |                    |       |       |       | 44.45 |      |
| FX2C- 68S-1.27DSA(71)  | 572-2406-0-71 | 68                 | 53.23 | 41.91 | 48.11 | _____ |      |
| FX2C- 68S-1.27DSAL(71) | 572-2456-9-71 |                    |       |       |       | 49.53 |      |
| FX2C- 80S-1.27DSA(71)  | 572-2407-3-71 | 80                 | 60.85 | 49.53 | 55.73 | _____ |      |
| FX2C- 80S-1.27DSAL(71) | 572-2457-1-71 |                    |       |       |       | 57.15 |      |
| FX2C-100S-1.27DSA(71)  | 572-2408-6-71 | 100                | 73.55 | 62.23 | 68.43 | _____ |      |
| FX2C-100S-1.27DSAL(71) | 572-2458-4-71 |                    |       |       |       | 69.85 |      |
| FX2C-120S-1.27DSA(71)  | 572-2409-9-71 | 120                | 86.25 | 74.93 | 81.13 | _____ |      |
| FX2C-120S-1.27DSAL(71) | 572-2459-7-71 |                    |       |       |       | 82.55 |      |

## ■ Receptacle Cleaning Type

### ● Straight Type



## ◆ PCB mounting pattern



Note: Not required, if no prefixed pin is attached.

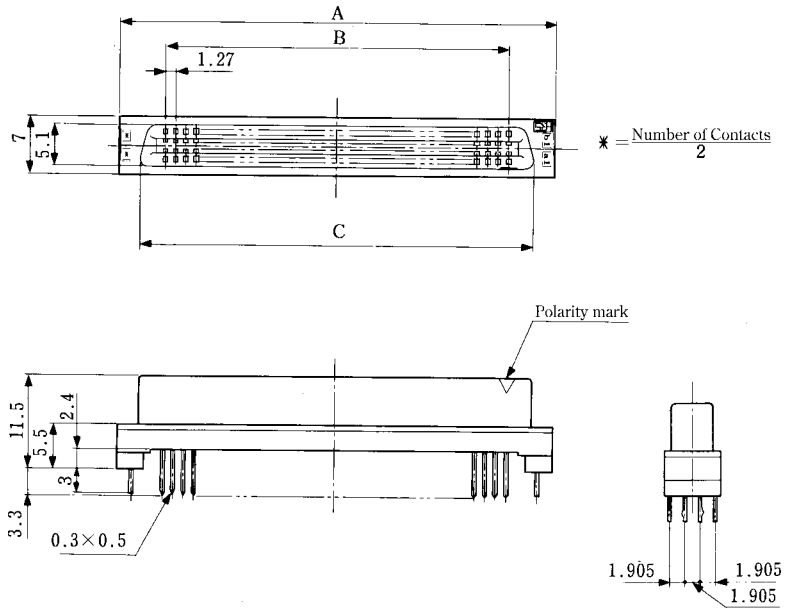
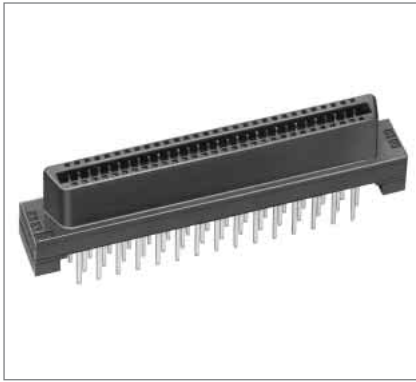
Unit:mm

| Part Number             | CL No.        | Number of Contacts | A     | B     | C     | D     | RoHS |
|-------------------------|---------------|--------------------|-------|-------|-------|-------|------|
| FX2CA- 20S-1.27DSA(71)  | 572-2501-1-71 | 20                 | 22.75 | 11.43 | 17.63 | _____ | YES  |
| FX2CA- 20S-1.27DSAL(71) | 572-2551-0-71 |                    |       |       |       | 19.05 |      |
| FX2CA- 32S-1.27DSA(71)  | 572-2502-4-71 | 32                 | 30.37 | 19.05 | 25.25 | _____ |      |
| FX2CA- 32S-1.27DSAL(71) | 572-2552-2-71 |                    |       |       |       | 26.67 |      |
| FX2CA- 40S-1.27DSA(71)  | 572-2503-7-71 | 40                 | 35.45 | 24.13 | 30.33 | _____ |      |
| FX2CA- 40S-1.27DSAL(71) | 572-2553-5-71 |                    |       |       |       | 31.75 |      |
| FX2CA- 52S-1.27DSA(71)  | 572-2504-0-71 | 52                 | 43.07 | 31.75 | 37.95 | _____ |      |
| FX2CA- 52S-1.27DSAL(71) | 572-2554-8-71 |                    |       |       |       | 39.37 |      |
| FX2CA- 60S-1.27DSA(71)  | 572-2505-2-71 | 60                 | 48.15 | 36.83 | 43.03 | _____ |      |
| FX2CA- 60S-1.27DSAL(71) | 572-2555-0-71 |                    |       |       |       | 44.45 |      |
| FX2CA- 68S-1.27DSA(71)  | 572-2506-5-71 | 68                 | 53.23 | 41.91 | 48.11 | _____ |      |
| FX2CA- 68S-1.27DSAL(71) | 572-2556-3-71 |                    |       |       |       | 49.53 |      |
| FX2CA- 80S-1.27DSA(71)  | 572-2507-8-71 | 80                 | 60.85 | 49.53 | 55.73 | _____ |      |
| FX2CA- 80S-1.27DSAL(71) | 572-2557-6-71 |                    |       |       |       | 57.15 |      |
| FX2CA-100S-1.27DSA(71)  | 572-2508-0-71 | 100                | 73.55 | 62.23 | 68.43 | _____ |      |
| FX2CA-100S-1.27DSAL(71) | 572-2558-9-71 |                    |       |       |       | 69.85 |      |
| FX2CA-120S-1.27DSA(71)  | 572-2509-3-71 | 120                | 86.25 | 74.93 | 81.13 | _____ |      |
| FX2CA-120S-1.27DSAL(71) | 572-2559-1-71 |                    |       |       |       | 82.55 |      |

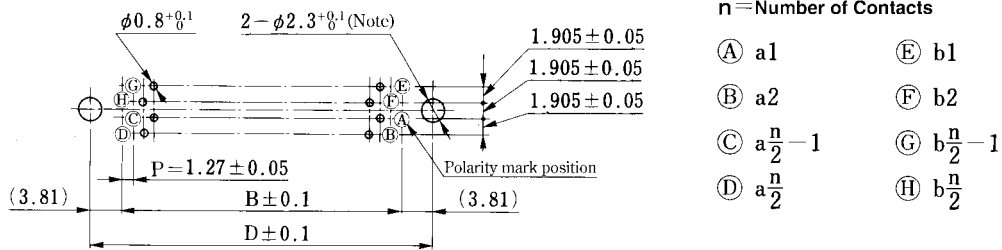
FX2 Series 1.27mm Pitch Multi-Function Two Piece Connector

## ■ Receptacle No Cleaning Type

### ● Straight Type



### ◆ PCB mounting pattern



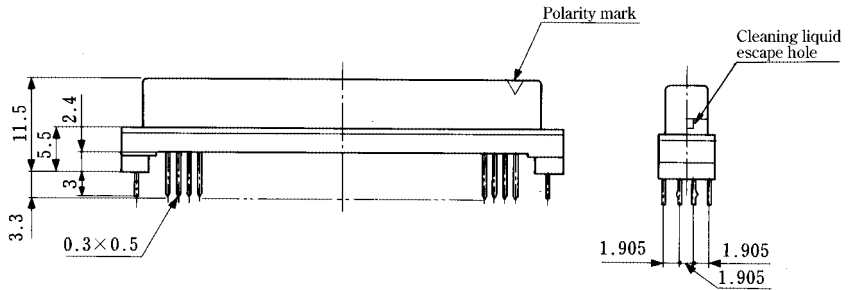
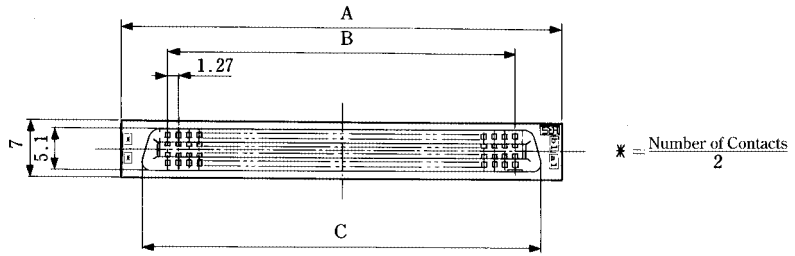
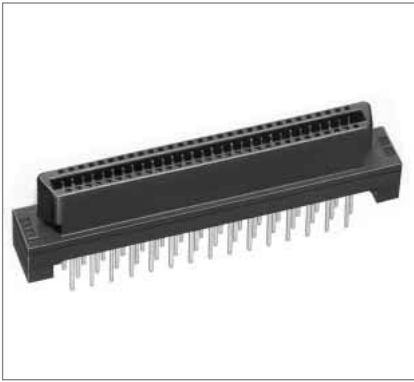
Note: Not required, if no prefixed pin is attached.

Unit:mm

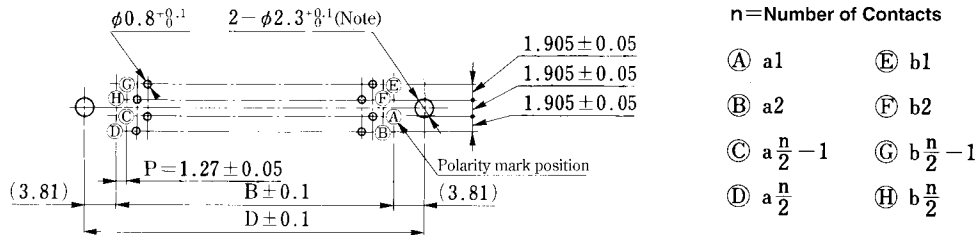
| Part Number             | CL No.        | Number of Contacts | A     | B     | C     | D     | RoHS |
|-------------------------|---------------|--------------------|-------|-------|-------|-------|------|
| FX2C2- 20S-1.27DSA(71)  | 572-2421-4-71 | 20                 | 22.75 | 11.43 | 17.63 | _____ | YES  |
| FX2C2- 20S-1.27DSAL(71) | 572-2471-2-71 |                    |       |       |       | 19.05 |      |
| FX2C2- 32S-1.27DSA(71)  | 572-2422-7-71 | 32                 | 30.37 | 19.05 | 25.25 | _____ |      |
| FX2C2- 32S-1.27DSAL(71) | 572-2472-5-71 |                    |       |       |       | 26.67 |      |
| FX2C2- 40S-1.27DSA(71)  | 572-2423-0-71 | 40                 | 35.45 | 24.13 | 30.33 | _____ |      |
| FX2C2- 40S-1.27DSAL(71) | 572-2473-8-71 |                    |       |       |       | 31.75 |      |
| FX2C2- 52S-1.27DSA(71)  | 572-2424-2-71 | 52                 | 43.07 | 31.75 | 37.95 | _____ |      |
| FX2C2- 52S-1.27DSAL(71) | 572-2474-0-71 |                    |       |       |       | 39.37 |      |
| FX2C2- 60S-1.27DSA(71)  | 572-2425-5-71 | 60                 | 48.15 | 36.83 | 43.03 | _____ |      |
| FX2C2- 60S-1.27DSAL(71) | 572-2475-3-71 |                    |       |       |       | 44.45 |      |
| FX2C2- 68S-1.27DSA(71)  | 572-2426-8-71 | 68                 | 53.23 | 41.91 | 48.11 | _____ |      |
| FX2C2- 68S-1.27DSAL(71) | 572-2476-6-71 |                    |       |       |       | 49.53 |      |
| FX2C2- 80S-1.27DSA(71)  | 572-2427-0-71 | 80                 | 60.85 | 49.53 | 55.73 | _____ |      |
| FX2C2- 80S-1.27DSAL(71) | 572-2477-9-71 |                    |       |       |       | 57.15 |      |
| FX2C2-100S-1.27DSA(71)  | 572-2428-3-71 | 100                | 73.55 | 62.23 | 68.43 | _____ |      |
| FX2C2-100S-1.27DSAL(71) | 572-2478-1-71 |                    |       |       |       | 69.85 |      |
| FX2C2-120S-1.27DSA(71)  | 572-2429-6-71 | 120                | 86.25 | 74.93 | 81.13 | _____ |      |
| FX2C2-120S-1.27DSAL(71) | 572-2479-4-71 |                    |       |       |       | 82.55 |      |

## ■ Receptacle Cleaning Type

### ● Straight Type



### ◆ PCB mounting pattern



Note: Not required, if no prefixed pin is attached.

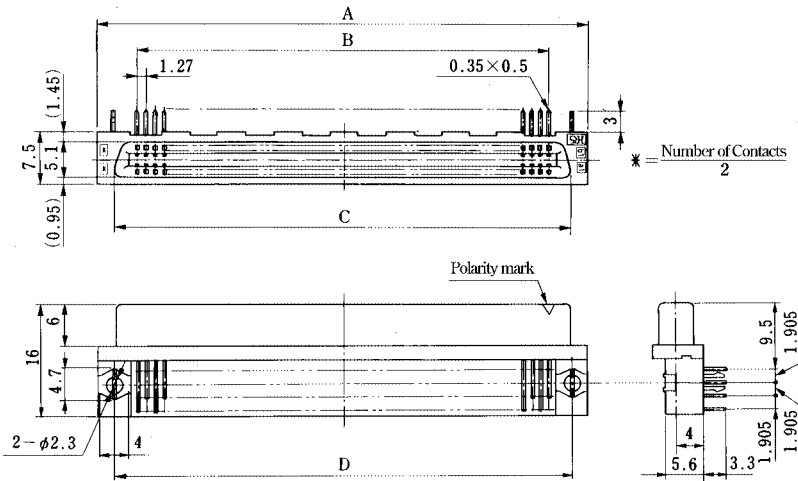
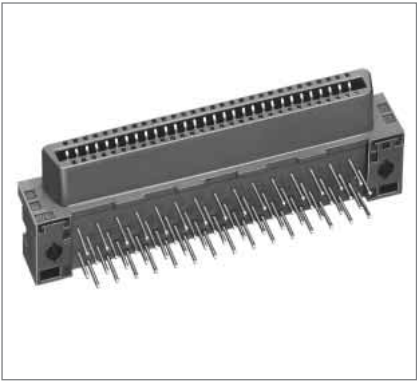
Unit:mm

| Part Number              | CL No.        | Number of Contacts | A     | B     | C     | D     | RoHS |
|--------------------------|---------------|--------------------|-------|-------|-------|-------|------|
| FX2CA2- 20S-1.27DSA(71)  | 572-2521-9-71 | 20                 | 22.75 | 11.43 | 17.63 | _____ | YES  |
| FX2CA2- 20S-1.27DSAL(71) | 572-2571-7-71 |                    |       |       |       | 19.05 |      |
| FX2CA2- 32S-1.27DSA(71)  | 572-2522-1-71 | 32                 | 30.37 | 19.05 | 25.25 | _____ |      |
| FX2CA2- 32S-1.27DSAL(71) | 572-2572-0-71 |                    |       |       |       | 26.67 |      |
| FX2CA2- 40S-1.27DSA(71)  | 572-2523-4-71 | 40                 | 35.45 | 24.13 | 30.33 | _____ |      |
| FX2CA2- 40S-1.27DSAL(71) | 572-2573-2-71 |                    |       |       |       | 31.75 |      |
| FX2CA2- 52S-1.27DSA(71)  | 572-2524-7-71 | 52                 | 43.07 | 31.75 | 37.95 | _____ |      |
| FX2CA2- 52S-1.27DSAL(71) | 572-2574-5-71 |                    |       |       |       | 39.37 |      |
| FX2CA2- 60S-1.27DSA(71)  | 572-2525-0-71 | 60                 | 48.15 | 36.83 | 43.03 | _____ |      |
| FX2CA2- 60S-1.27DSAL(71) | 572-2575-8-71 |                    |       |       |       | 44.45 |      |
| FX2CA2- 68S-1.27DSA(71)  | 572-2526-2-71 | 68                 | 53.23 | 41.91 | 48.11 | _____ |      |
| FX2CA2- 68S-1.27DSAL(71) | 572-2576-0-71 |                    |       |       |       | 49.53 |      |
| FX2CA2- 80S-1.27DSA(71)  | 572-2527-5-71 | 80                 | 60.85 | 49.53 | 55.73 | _____ |      |
| FX2CA2- 80S-1.27DSAL(71) | 572-2577-3-71 |                    |       |       |       | 57.15 |      |
| FX2CA2-100S-1.27DSA(71)  | 572-2528-8-71 | 100                | 73.55 | 62.23 | 68.43 | _____ |      |
| FX2CA2-100S-1.27DSAL(71) | 572-2578-6-71 |                    |       |       |       | 69.85 |      |
| FX2CA2-120S-1.27DSA(71)  | 572-2529-0-71 | 120                | 86.25 | 74.93 | 81.13 | _____ |      |
| FX2CA2-120S-1.27DSAL(71) | 572-2579-9-71 |                    |       |       |       | 82.55 |      |

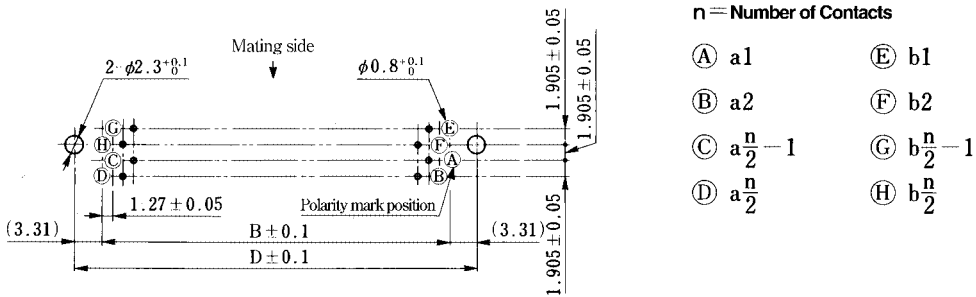
FX2 Series 1.27mm Pitch Multi-Function Two Piece Connector

## ■ Receptacle

### ● Right Angle Type



## ◆ PCB mounting pattern

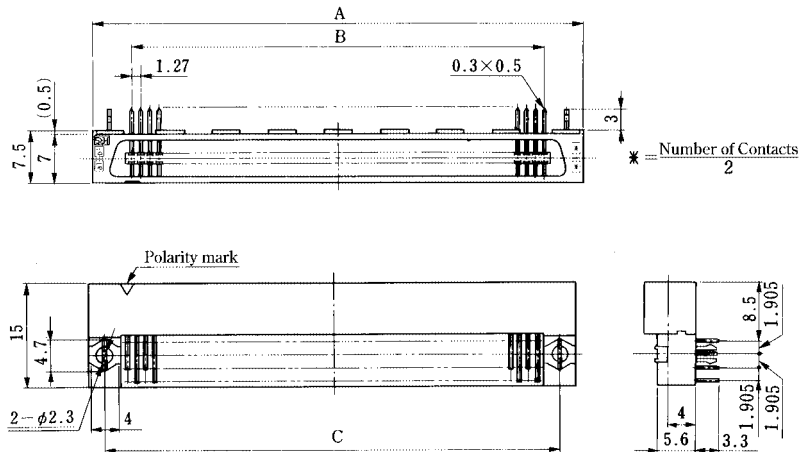


Unit:mm

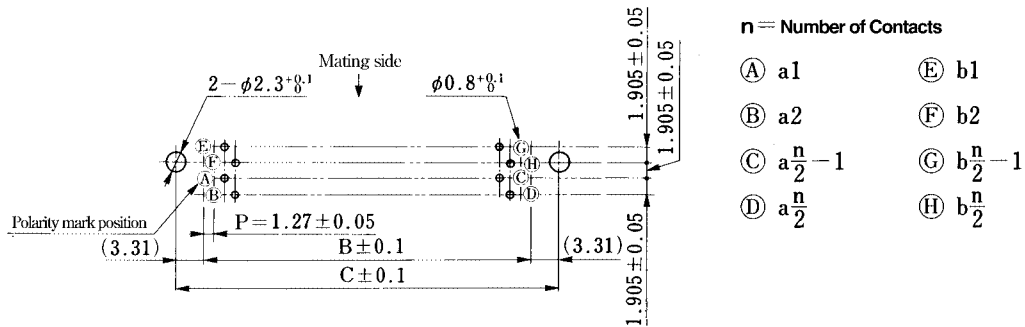
| Part Number          | CL No.        | Number of Contacts | A     | B     | C     | D     | D   |
|----------------------|---------------|--------------------|-------|-------|-------|-------|-----|
| FX2- 20S-1.27DS(71)  | 572-2701-0-71 | 20                 | 22.75 | 11.43 | 17.63 | 18.05 | YES |
| FX2- 20S-1.27DSL(71) | 572-2751-9-71 |                    |       |       |       |       |     |
| FX2- 32S-1.27DS(71)  | 572-2702-3-71 | 32                 | 30.37 | 19.05 | 25.25 | 25.67 |     |
| FX2- 32S-1.27DSL(71) | 572-2752-1-71 |                    |       |       |       |       |     |
| FX2- 40S-1.27DS(71)  | 572-2703-6-71 | 40                 | 35.45 | 24.13 | 30.33 | 30.75 |     |
| FX2- 40S-1.27DSL(71) | 572-2753-4-71 |                    |       |       |       |       |     |
| FX2- 52S-1.27DS(71)  | 572-2704-9-71 | 52                 | 43.07 | 31.75 | 37.95 | 38.37 |     |
| FX2- 52S-1.27DSL(71) | 572-2754-7-71 |                    |       |       |       |       |     |
| FX2- 60S-1.27DS(71)  | 572-2705-1-71 | 60                 | 48.15 | 36.83 | 43.03 | 43.45 |     |
| FX2- 60S-1.27DSL(71) | 572-2755-0-71 |                    |       |       |       |       |     |
| FX2- 68S-1.27DS(71)  | 572-2706-4-71 | 68                 | 53.23 | 41.91 | 48.11 | 48.53 |     |
| FX2- 68S-1.27DSL(71) | 572-2756-2-71 |                    |       |       |       |       |     |
| FX2- 80S-1.27DS(71)  | 572-2707-7-71 | 80                 | 60.85 | 49.53 | 55.73 | 56.15 |     |
| FX2- 80S-1.27DSL(71) | 572-2757-5-71 |                    |       |       |       |       |     |
| FX2-100S-1.27DS(71)  | 572-2708-0-71 | 100                | 73.55 | 62.23 | 68.43 | 68.85 |     |
| FX2-100S-1.27DSL(71) | 572-2758-8-71 |                    |       |       |       |       |     |
| FX2-120S-1.27DS(71)  | 572-2709-2-71 | 120                | 86.25 | 74.93 | 81.13 | 81.55 |     |
| FX2-120S-1.27DSL(71) | 572-2759-0-71 |                    |       |       |       |       |     |

## Header

### Right Angle Type



### PCB mounting pattern



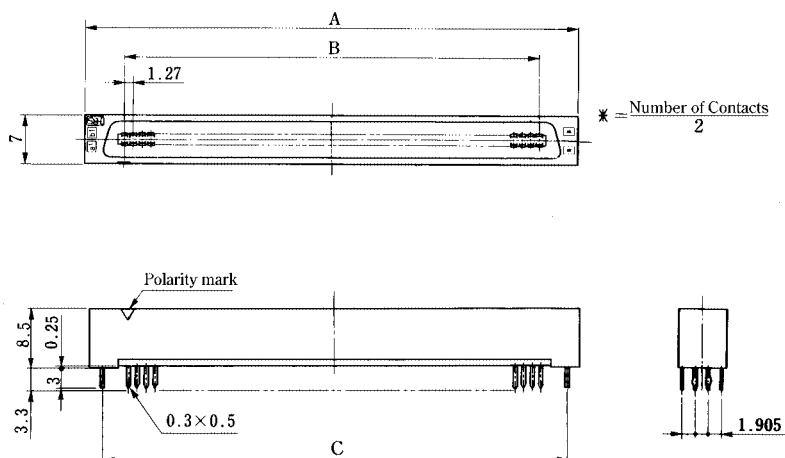
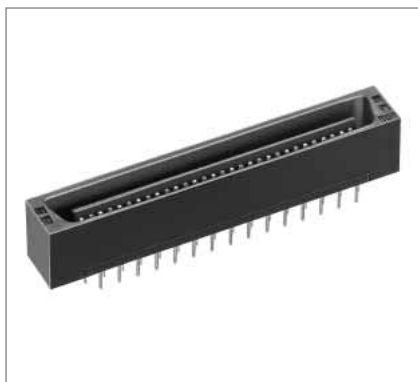
Unit:mm

| Part Number          | CL No.        | Number of Contacts | A     | B     | C     | RoHS |
|----------------------|---------------|--------------------|-------|-------|-------|------|
| FX2- 20P-1.27DS(71)  | 572-2601-6-71 | 20                 | 22.75 | 11.43 | 18.05 | YES  |
| FX2- 20P-1.27DSL(71) | 572-2651-4-71 |                    |       |       |       |      |
| FX2- 32P-1.27DS(71)  | 572-2602-9-71 | 32                 | 30.37 | 19.05 | 25.67 |      |
| FX2- 32P-1.27DSL(71) | 572-2652-7-71 |                    |       |       |       |      |
| FX2- 40P-1.27DS(71)  | 572-2603-1-71 | 40                 | 35.45 | 24.13 | 30.75 |      |
| FX2- 40P-1.27DSL(71) | 572-2653-0-71 |                    |       |       |       |      |
| FX2- 52P-1.27DS(71)  | 572-2604-4-71 | 52                 | 43.07 | 31.75 | 38.37 |      |
| FX2- 52P-1.27DSL(71) | 572-2654-2-71 |                    |       |       |       |      |
| FX2- 60P-1.27DS(71)  | 572-2605-7-71 | 60                 | 48.15 | 36.83 | 43.45 |      |
| FX2- 60P-1.27DSL(71) | 572-2655-5-71 |                    |       |       |       |      |
| FX2- 68P-1.27DS(71)  | 572-2606-0-71 | 68                 | 53.23 | 41.91 | 48.53 |      |
| FX2- 68P-1.27DSL(71) | 572-2656-8-71 |                    |       |       |       |      |
| FX2- 80P-1.27DS(71)  | 572-2607-2-71 | 80                 | 60.85 | 49.53 | 56.15 |      |
| FX2- 80P-1.27DSL(71) | 572-2657-0-71 |                    |       |       |       |      |
| FX2-100P-1.27DS(71)  | 572-2608-5-71 | 100                | 73.55 | 62.23 | 68.85 |      |
| FX2-100P-1.27DSL(71) | 572-2658-3-71 |                    |       |       |       |      |
| FX2-120P-1.27DS(71)  | 572-2609-8-71 | 120                | 86.25 | 74.93 | 81.55 |      |
| FX2-120P-1.27DSL(71) | 572-2659-6-71 |                    |       |       |       |      |

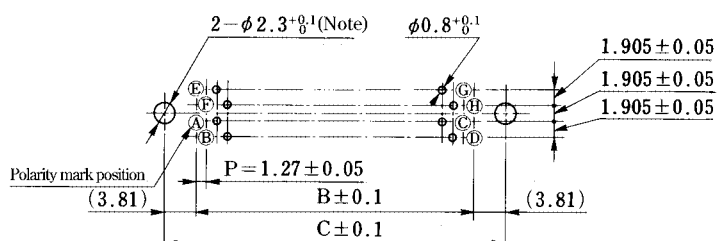
FX2 Series 1.27mm Pitch Multi-Function Two Piece Connector

## Header No Cleaning Type

### Straight Type



### PCB mounting pattern



n = Number of Contacts

- |                    |                    |
|--------------------|--------------------|
| Ⓐ a1               | Ⓔ b1               |
| Ⓑ a2               | Ⓕ b2               |
| Ⓒ $a\frac{n}{2}-1$ | Ⓖ $b\frac{n}{2}-1$ |
| Ⓓ $a\frac{n}{2}$   | Ⓗ $b\frac{n}{2}$   |

Note: Not required, if no prefixed pin is attached.

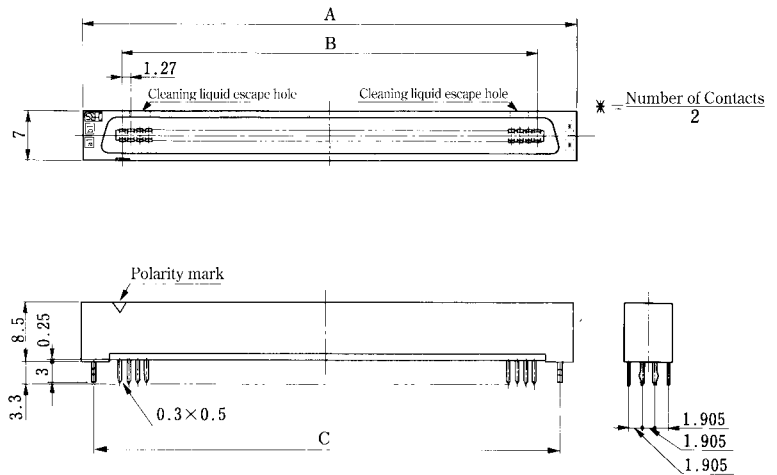
Unit:mm

| Part Number            | CL No.        | Number of Contacts | A     | B     | C     | RoHS |
|------------------------|---------------|--------------------|-------|-------|-------|------|
| FX2C- 20P-1.27DSA(71)  | 572-2201-8-71 | 20                 | 22.75 | 11.43 | —     | YES  |
| FX2C- 20P-1.27DSAL(71) | 572-2251-6-71 |                    |       |       | 19.05 |      |
| FX2C- 32P-1.27DSA(71)  | 572-2202-0-71 | 32                 | 30.37 | 19.05 | —     |      |
| FX2C- 32P-1.27DSAL(71) | 572-2252-9-71 |                    |       |       | 26.67 |      |
| FX2C- 40P-1.27DSA(71)  | 572-2203-3-71 | 40                 | 35.45 | 24.13 | —     |      |
| FX2C- 40P-1.27DSAL(71) | 572-2253-1-71 |                    |       |       | 31.75 |      |
| FX2C- 52P-1.27DSA(71)  | 572-2204-6-71 | 52                 | 43.07 | 31.75 | —     |      |
| FX2C- 52P-1.27DSAL(71) | 572-2254-4-71 |                    |       |       | 39.37 |      |
| FX2C- 60P-1.27DSA(71)  | 572-2205-9-71 | 60                 | 48.15 | 36.83 | —     |      |
| FX2C- 60P-1.27DSAL(71) | 572-2255-7-71 |                    |       |       | 44.45 |      |
| FX2C- 68P-1.27DSA(71)  | 572-2206-1-71 | 68                 | 53.23 | 41.91 | —     |      |
| FX2C- 68P-1.27DSAL(71) | 572-2256-0-71 |                    |       |       | 49.53 |      |
| FX2C- 80P-1.27DSA(71)  | 572-2207-4-71 | 80                 | 60.85 | 49.53 | —     |      |
| FX2C- 80P-1.27DSAL(71) | 572-2257-2-71 |                    |       |       | 57.15 |      |
| FX2C-100P-1.27DSA(71)  | 572-2208-7-71 | 100                | 73.55 | 62.23 | —     |      |
| FX2C-100P-1.27DSAL(71) | 572-2258-5-71 |                    |       |       | 69.85 |      |
| FX2C-120P-1.27DSA(71)  | 572-2209-0-71 | 120                | 86.25 | 74.93 | —     |      |
| FX2C-120P-1.27DSAL(71) | 572-2259-8-71 |                    |       |       | 82.55 |      |

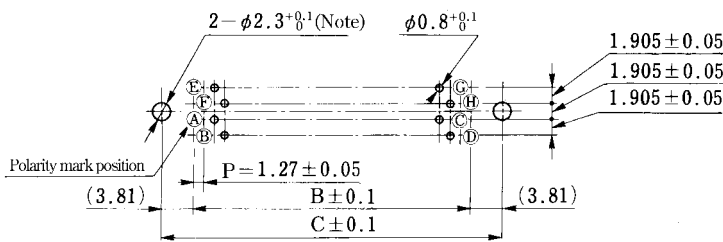


## Header Cleaning Type

### ●Straight Type



## ◆PCB mounting pattern



n = Number of Contacts

- Ⓐ a1                      Ⓔ b1
- Ⓑ a2                      Ⓕ b2
- Ⓒ  $a\frac{n}{2} - 1$               Ⓖ  $b\frac{n}{2} - 1$
- Ⓓ  $a\frac{n}{2}$                       Ⓖ  $b\frac{n}{2}$

Note: Not required, if no prefixed pin is attached.

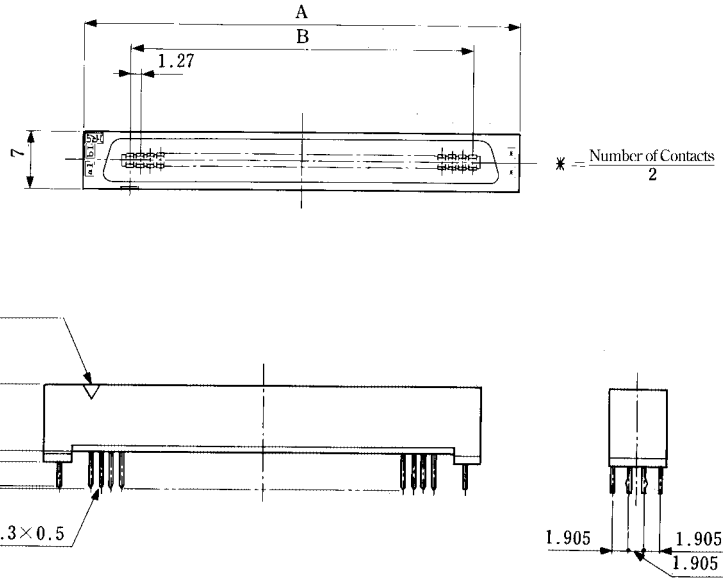
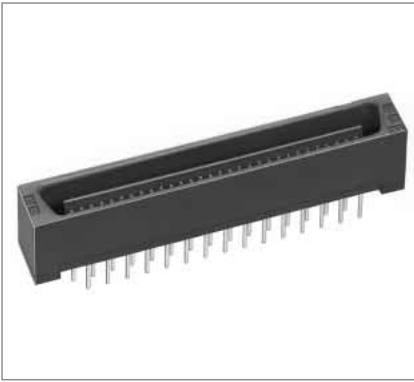
Unit:mm

| Part Number             | CL No.        | Number of Contacts | A     | B     | C     | RoHS |
|-------------------------|---------------|--------------------|-------|-------|-------|------|
| FX2CA- 20P-1.27DSA(71)  | 572-2301-2-71 | 20                 | 22.75 | 11.43 | —     | YES  |
| FX2CA- 20P-1.27DSAL(71) | 572-2351-0-71 |                    |       |       | 19.05 |      |
| FX2CA- 32P-1.27DSA(71)  | 572-2302-5-71 | 32                 | 30.37 | 19.05 | —     |      |
| FX2CA- 32P-1.27DSAL(71) | 572-2352-3-71 |                    |       |       | 26.67 |      |
| FX2CA- 40P-1.27DSA(71)  | 572-2303-8-71 | 40                 | 35.45 | 24.13 | —     |      |
| FX2CA- 40P-1.27DSAL(71) | 572-2353-6-71 |                    |       |       | 31.75 |      |
| FX2CA- 52P-1.27DSA(71)  | 572-2304-0-71 | 52                 | 43.07 | 31.75 | —     |      |
| FX2CA- 52P-1.27DSAL(71) | 572-2354-9-71 |                    |       |       | 39.37 |      |
| FX2CA- 60P-1.27DSA(71)  | 572-2305-3-71 | 60                 | 48.15 | 36.83 | —     |      |
| FX2CA- 60P-1.27DSAL(71) | 572-2355-1-71 |                    |       |       | 44.45 |      |
| FX2CA- 68P-1.27DSA(71)  | 572-2306-6-71 | 68                 | 53.23 | 41.91 | —     |      |
| FX2CA- 68P-1.27DSAL(71) | 572-2356-4-71 |                    |       |       | 49.53 |      |
| FX2CA- 80P-1.27DSA(71)  | 572-2307-9-71 | 80                 | 60.85 | 49.53 | —     |      |
| FX2CA- 80P-1.27DSAL(71) | 572-2357-7-71 |                    |       |       | 57.15 |      |
| FX2CA-100P-1.27DSA(71)  | 572-2308-1-71 | 100                | 73.55 | 62.23 | —     |      |
| FX2CA-100P-1.27DSAL(71) | 572-2358-0-71 |                    |       |       | 69.85 |      |
| FX2CA-120P-1.27DSA(71)  | 572-2309-4-71 | 120                | 86.25 | 74.93 | —     |      |
| FX2CA-120P-1.27DSAL(71) | 572-2359-2-71 |                    |       |       | 82.55 |      |

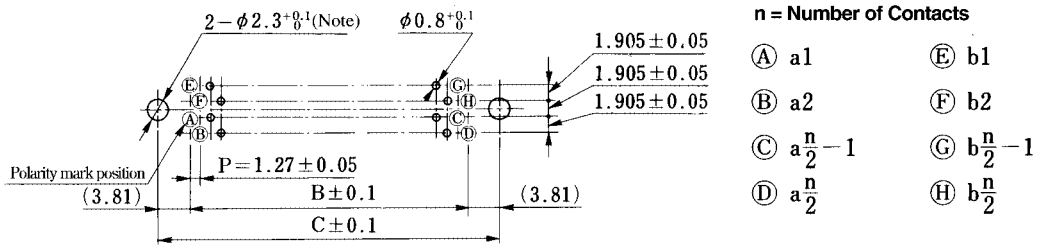
FX2 Series 1.27mm Pitch Multi-Function Two Piece Connector

## Header No Cleaning Type

### ●Straight Type



### ◆PCB mounting pattern



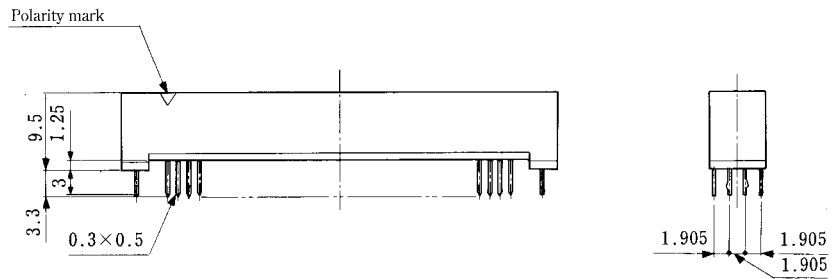
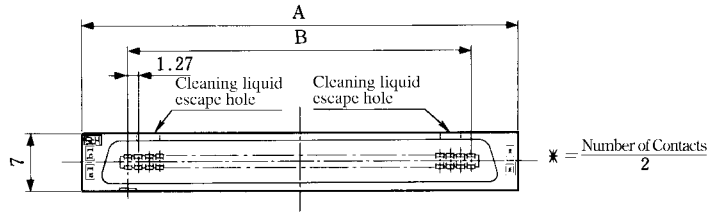
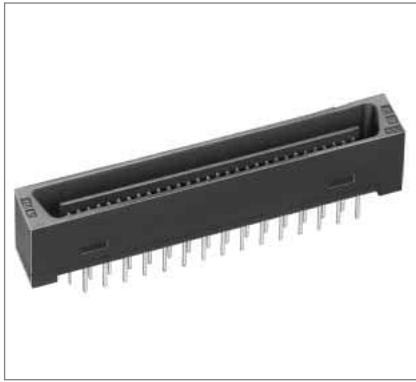
Note: Not required, if no prefixed pin is attached.

Unit: mm

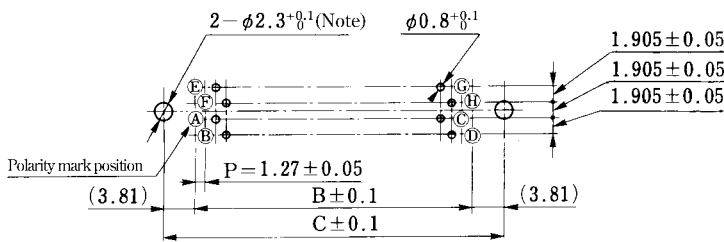
| Part Number             | CL No.        | Number of Contacts | A     | B     | C     | RoHS |
|-------------------------|---------------|--------------------|-------|-------|-------|------|
| FX2C1- 20P-1.27DSA(71)  | 572-2211-1-71 | 20                 | 22.75 | 11.43 | —     | YES  |
| FX2C1- 20P-1.27DSAL(71) | 572-2261-0-71 |                    |       |       | 19.05 |      |
| FX2C1- 32P-1.27DSA(71)  | 572-2212-4-71 | 32                 | 30.37 | 19.05 | —     |      |
| FX2C1- 32P-1.27DSAL(71) | 572-2262-2-71 |                    |       |       | 26.67 |      |
| FX2C1- 40P-1.27DSA(71)  | 572-2213-7-71 | 40                 | 35.45 | 24.13 | —     |      |
| FX2C1- 40P-1.27DSAL(71) | 572-2263-5-71 |                    |       |       | 31.75 |      |
| FX2C1- 52P-1.27DSA(71)  | 572-2214-0-71 | 52                 | 43.07 | 31.75 | —     |      |
| FX2C1- 52P-1.27DSAL(71) | 572-2264-8-71 |                    |       |       | 39.37 |      |
| FX2C1- 60P-1.27DSA(71)  | 572-2215-2-71 | 60                 | 48.15 | 36.83 | —     |      |
| FX2C1- 60P-1.27DSAL(71) | 572-2265-0-71 |                    |       |       | 44.45 |      |
| FX2C1- 68P-1.27DSA(71)  | 572-2216-5-71 | 68                 | 53.23 | 41.91 | —     |      |
| FX2C1- 68P-1.27DSAL(71) | 572-2266-3-71 |                    |       |       | 49.53 |      |
| FX2C1- 80P-1.27DSA(71)  | 572-2217-8-71 | 80                 | 60.85 | 49.53 | —     |      |
| FX2C1- 80P-1.27DSAL(71) | 572-2267-6-71 |                    |       |       | 57.15 |      |
| FX2C1-100P-1.27DSA(71)  | 572-2218-0-71 | 100                | 73.55 | 62.23 | —     |      |
| FX2C1-100P-1.27DSAL(71) | 572-2268-9-71 |                    |       |       | 69.85 |      |
| FX2C1-120P-1.27DSA(71)  | 572-2219-3-71 | 120                | 86.25 | 74.93 | —     |      |
| FX2C1-120P-1.27DSAL(71) | 572-2269-1-71 |                    |       |       | 82.55 |      |

## Header Cleaning Type

### Straight Type



## PCB mounting pattern



n = Number of Contacts

- |                     |                     |
|---------------------|---------------------|
| Ⓐ a1                | Ⓔ b1                |
| Ⓑ a2                | Ⓕ b2                |
| Ⓒ $\frac{n}{2} - 1$ | Ⓖ $\frac{n}{2} - 1$ |
| Ⓓ $\frac{n}{2}$     | Ⓗ $\frac{n}{2}$     |

Note: Not required, if no prefixed pin is attached.

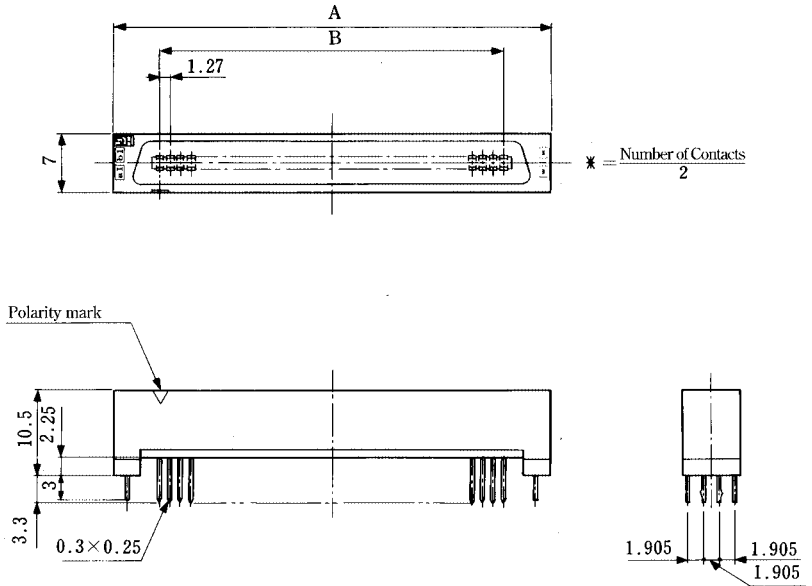
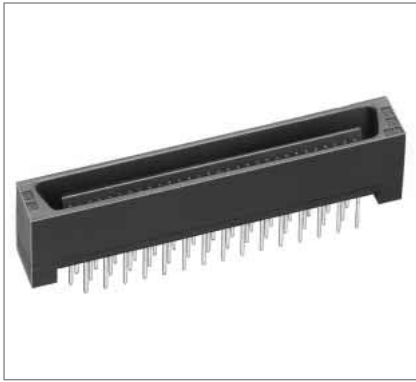
Unit: mm

| Part Number              | CL No.        | Number of Contacts | A     | B     | C     | RoHS |
|--------------------------|---------------|--------------------|-------|-------|-------|------|
| FX2CA1- 20P-1.27DSA(71)  | 572-2311-6-71 | 20                 | 22.75 | 11.43 | —     | YES  |
| FX2CA1- 20P-1.27DSAL(71) | 572-2361-4-71 |                    |       |       | 19.05 |      |
| FX2CA1- 32P-1.27DSA(71)  | 572-2312-9-71 | 32                 | 30.37 | 19.05 | —     |      |
| FX2CA1- 32P-1.27DSAL(71) | 572-2362-7-71 |                    |       |       | 26.67 |      |
| FX2CA1- 40P-1.27DSA(71)  | 572-2313-1-71 | 40                 | 35.45 | 24.13 | —     |      |
| FX2CA1- 40P-1.27DSAL(71) | 572-2363-0-71 |                    |       |       | 31.75 |      |
| FX2CA1- 52P-1.27DSA(71)  | 572-2314-4-71 | 52                 | 43.07 | 31.75 | —     |      |
| FX2CA1- 52P-1.27DSAL(71) | 572-2364-2-71 |                    |       |       | 39.37 |      |
| FX2CA1- 60P-1.27DSA(71)  | 572-2315-7-71 | 60                 | 48.15 | 36.83 | —     |      |
| FX2CA1- 60P-1.27DSAL(71) | 572-2365-5-71 |                    |       |       | 44.45 |      |
| FX2CA1- 68P-1.27DSA(71)  | 572-2316-0-71 | 68                 | 53.23 | 41.91 | —     |      |
| FX2CA1- 68P-1.27DSAL(71) | 572-2366-8-71 |                    |       |       | 49.53 |      |
| FX2CA1- 80P-1.27DSA(71)  | 572-2317-2-71 | 80                 | 60.85 | 49.53 | —     |      |
| FX2CA1- 80P-1.27DSAL(71) | 572-2367-0-71 |                    |       |       | 57.15 |      |
| FX2CA1-100P-1.27DSA(71)  | 572-2318-5-71 | 100                | 73.55 | 62.23 | —     |      |
| FX2CA1-100P-1.27DSAL(71) | 572-2368-3-71 |                    |       |       | 69.85 |      |
| FX2CA1-120P-1.27DSA(71)  | 572-2319-8-71 | 120                | 86.25 | 74.93 | —     |      |
| FX2CA1-120P-1.27DSAL(71) | 572-2369-6-71 |                    |       |       | 82.55 |      |

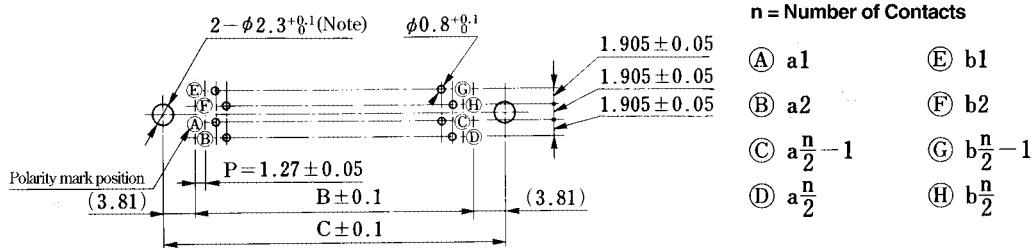
**FX2 Series 1.27mm Pitch Multi-Function Two Piece Connector**

**Header No Cleaning Type**

**Straight Type**



**PCB mounting pattern**



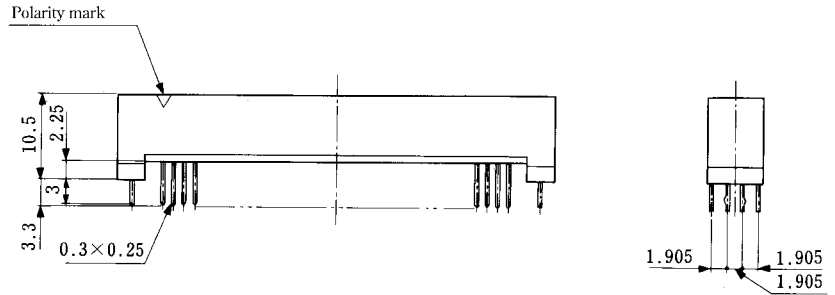
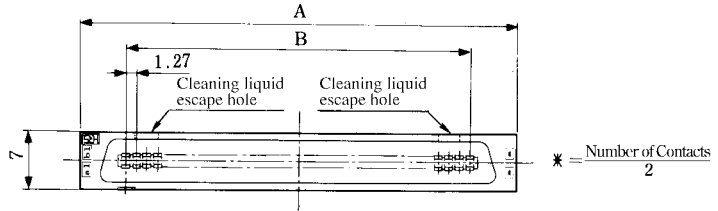
Note: Not required, if no prefixed pin is attached.

Unit: mm

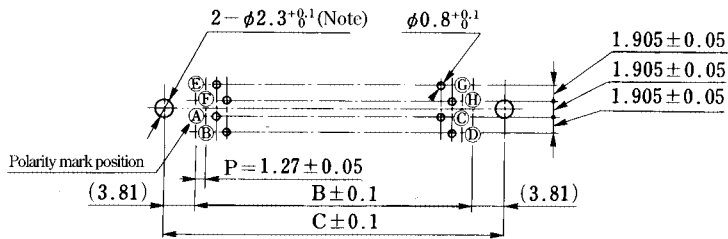
| Part Number             | CL No.        | Number of Contacts | A     | B     | C     | RoHS |
|-------------------------|---------------|--------------------|-------|-------|-------|------|
| FX2C2- 20P-1.27DSA(71)  | 572-2221-5-71 | 20                 | 22.75 | 11.43 | —     | YES  |
| FX2C2- 20P-1.27DSAL(71) | 572-2271-3-71 |                    |       |       | 19.05 |      |
| FX2C2- 32P-1.27DSA(71)  | 572-2222-8-71 | 32                 | 30.37 | 19.05 | —     |      |
| FX2C2- 32P-1.27DSAL(71) | 572-2272-6-71 |                    |       |       | 26.67 |      |
| FX2C2- 40P-1.27DSA(71)  | 572-2223-0-71 | 40                 | 35.45 | 24.13 | —     |      |
| FX2C2- 40P-1.27DSAL(71) | 572-2273-9-71 |                    |       |       | 31.75 |      |
| FX2C2- 52P-1.27DSA(71)  | 572-2224-3-71 | 52                 | 43.07 | 31.75 | —     |      |
| FX2C2- 52P-1.27DSAL(71) | 572-2274-1-71 |                    |       |       | 39.37 |      |
| FX2C2- 60P-1.27DSA(71)  | 572-2225-6-71 | 60                 | 48.15 | 36.83 | —     |      |
| FX2C2- 60P-1.27DSAL(71) | 572-2275-4-71 |                    |       |       | 44.45 |      |
| FX2C2- 68P-1.27DSA(71)  | 572-2226-9-71 | 68                 | 53.23 | 41.91 | —     |      |
| FX2C2- 68P-1.27DSAL(71) | 572-2276-7-71 |                    |       |       | 49.53 |      |
| FX2C2- 80P-1.27DSA(71)  | 572-2227-1-71 | 80                 | 60.85 | 49.53 | —     |      |
| FX2C2- 80P-1.27DSAL(71) | 572-2277-0-71 |                    |       |       | 57.15 |      |
| FX2C2-100P-1.27DSA(71)  | 572-2228-4-71 | 100                | 73.55 | 62.23 | —     |      |
| FX2C2-100P-1.27DSAL(71) | 572-2278-2-71 |                    |       |       | 69.85 |      |
| FX2C2-120P-1.27DSA(71)  | 572-2229-7-71 | 120                | 86.25 | 74.93 | —     |      |
| FX2C2-120P-1.27DSAL(71) | 572-2279-5-71 |                    |       |       | 82.55 |      |

## Header Cleaning Type

### ●Straight Type



## ◆PCB mounting pattern



n = Number of Contacts

- |                       |                       |
|-----------------------|-----------------------|
| Ⓐ a1                  | Ⓔ b1                  |
| Ⓑ a2                  | Ⓕ b2                  |
| Ⓒ $a \frac{n}{2} - 1$ | Ⓖ $b \frac{n}{2} - 1$ |
| Ⓓ $a \frac{n}{2}$     | Ⓗ $b \frac{n}{2}$     |

Note: Not required, if no prefixed pin is attached.

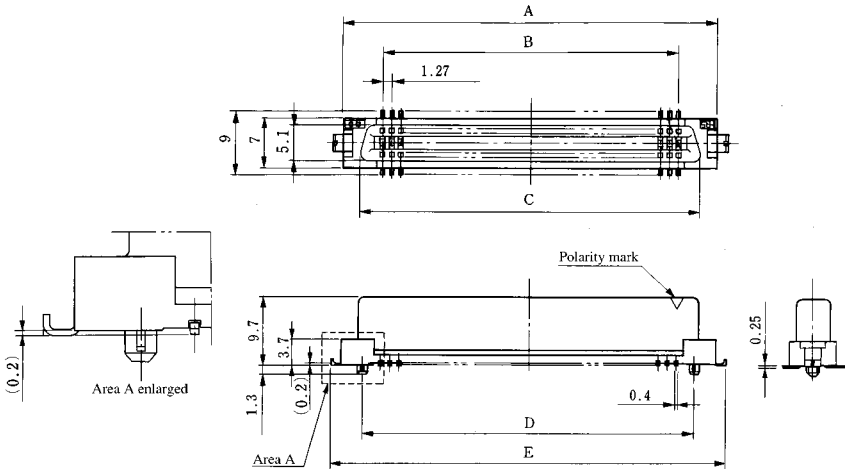
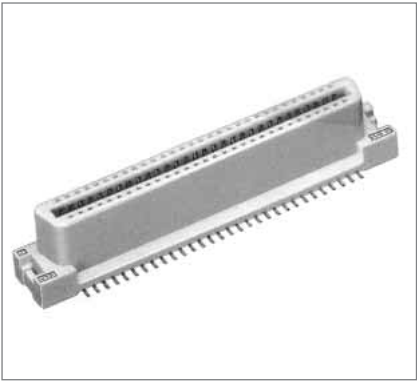
Unit: mm

| Part Number              | CL No.        | Number of Contacts | A     | B     | C     | RoHS |
|--------------------------|---------------|--------------------|-------|-------|-------|------|
| FX2CA2- 20P-1.27DSA(71)  | 572-2321-0-71 | 20                 | 22.75 | 11.43 | —     | YES  |
| FX2CA2- 20P-1.27DSAL(71) | 572-2371-8-71 |                    |       |       | 19.05 |      |
| FX2CA2- 32P-1.27DSA(71)  | 572-2322-2-71 | 32                 | 30.37 | 19.05 | —     |      |
| FX2CA2- 32P-1.27DSAL(71) | 572-2372-0-71 |                    |       |       | 26.67 |      |
| FX2CA2- 40P-1.27DSA(71)  | 572-2323-5-71 | 40                 | 35.45 | 24.13 | —     |      |
| FX2CA2- 40P-1.27DSAL(71) | 572-2373-3-71 |                    |       |       | 31.75 |      |
| FX2CA2- 52P-1.27DSA(71)  | 572-2324-8-71 | 52                 | 43.07 | 31.75 | —     |      |
| FX2CA2- 52P-1.27DSAL(71) | 572-2374-6-71 |                    |       |       | 39.37 |      |
| FX2CA2- 60P-1.27DSA(71)  | 572-2325-0-71 | 60                 | 48.15 | 36.83 | —     |      |
| FX2CA2- 60P-1.27DSAL(71) | 572-2375-9-71 |                    |       |       | 44.45 |      |
| FX2CA2- 68P-1.27DSA(71)  | 572-2326-3-71 | 68                 | 53.23 | 41.91 | —     |      |
| FX2CA2- 68P-1.27DSAL(71) | 572-2376-1-71 |                    |       |       | 49.53 |      |
| FX2CA2- 80P-1.27DSA(71)  | 572-2327-6-71 | 80                 | 60.85 | 49.53 | —     |      |
| FX2CA2- 80P-1.27DSAL(71) | 572-2377-4-71 |                    |       |       | 57.15 |      |
| FX2CA2-100P-1.27DSA(71)  | 572-2328-9-71 | 100                | 73.55 | 62.23 | —     |      |
| FX2CA2-100P-1.27DSAL(71) | 572-2378-7-71 |                    |       |       | 69.85 |      |
| FX2CA2-120P-1.27DSA(71)  | 572-2329-1-71 | 120                | 86.25 | 74.93 | —     |      |
| FX2CA2-120P-1.27DSAL(71) | 572-2379-0-71 |                    |       |       | 82.55 |      |

**FX2 Series 1.27mm Pitch Multi-Function Two Piece Connector**

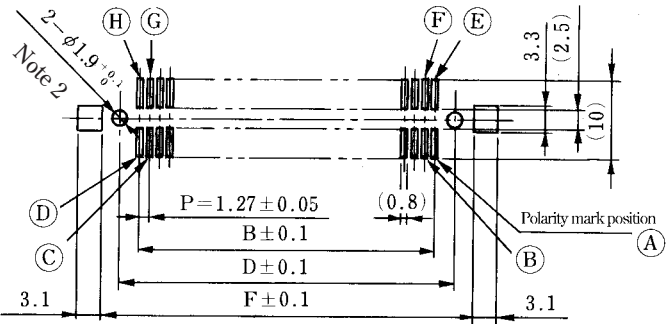
**■ Receptacle SMT Type**

**● Straight Type**



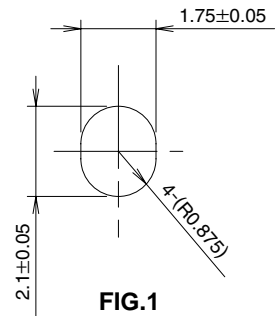
Note 1 : The 120 contacts type differs in the style.  
 Note 2 : The connector positioning bosses are constructed to press fit into the board with light force. When mounting on the board, press the connector lightly from the top and check that the positioning bosses are securely inserted in the board holes and that the connector leads are engaged in the board. The recommended boss hole for use with automatic mounting is illustrated in fig. 1.

**◆ PCB mounting pattern**



**n = Number of Contacts**

- Ⓐ a1                      Ⓔ b1
- Ⓑ a2                      Ⓕ b2
- Ⓒ  $a\frac{n}{2}-1$                 Ⓖ  $b\frac{n}{2}-1$
- Ⓓ  $a\frac{n}{2}$                       Ⓗ  $b\frac{n}{2}$

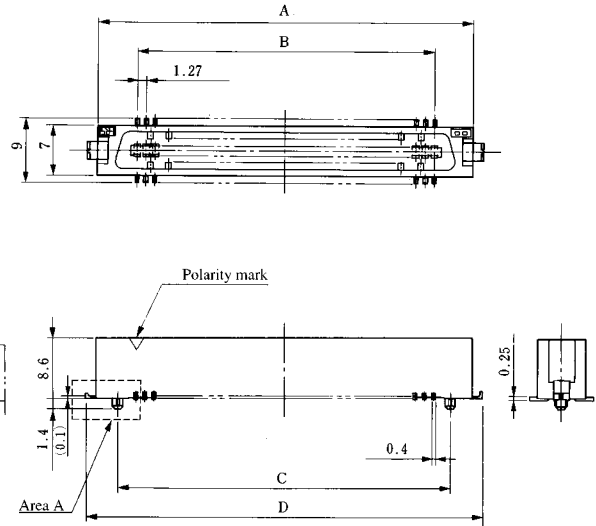


Unit: mm

| Part Number          | CL No.        | Number of Contacts | A     | B     | C     | D     | E     | F     | RoHS |
|----------------------|---------------|--------------------|-------|-------|-------|-------|-------|-------|------|
| FX2- 20S-1.27SV(71)  | 572-2101-3-71 | 20                 | 22.75 | 11.43 | 17.63 | 16.51 | —     | —     | YES  |
| FX2- 20S-1.27SVL(71) | 572-2151-1-71 |                    |       |       |       |       | 25.75 | 21.15 |      |
| FX2- 32S-1.27SV(71)  | 572-2102-6-71 | 32                 | 30.37 | 19.05 | 25.25 | 24.13 | —     | —     |      |
| FX2- 32S-1.27SVL(71) | 572-2152-4-71 |                    |       |       |       |       | 33.37 | 28.77 |      |
| FX2- 40S-1.27SV(71)  | 572-2103-9-71 | 40                 | 35.45 | 24.13 | 30.33 | 29.21 | —     | —     |      |
| FX2- 40S-1.27SVL(71) | 572-2153-7-71 |                    |       |       |       |       | 38.45 | 33.85 |      |
| FX2- 52S-1.27SV(71)  | 572-2104-1-71 | 52                 | 43.07 | 31.75 | 37.95 | 36.83 | —     | —     |      |
| FX2- 52S-1.27SVL(71) | 572-2154-0-71 |                    |       |       |       |       | 46.07 | 41.47 |      |
| FX2- 60S-1.27SV(71)  | 572-2105-4-71 | 60                 | 48.15 | 36.83 | 43.03 | 41.91 | —     | —     |      |
| FX2- 60S-1.27SVL(71) | 572-2155-2-71 |                    |       |       |       |       | 51.15 | 46.55 |      |
| FX2- 68S-1.27SV(71)  | 572-2106-7-71 | 68                 | 53.23 | 41.91 | 48.11 | 46.99 | —     | —     |      |
| FX2- 68S-1.27SVL(71) | 572-2156-5-71 |                    |       |       |       |       | 56.23 | 51.63 |      |
| FX2- 80S-1.27SV(71)  | 572-2107-0-71 | 80                 | 60.85 | 49.53 | 55.73 | 54.61 | —     | —     |      |
| FX2- 80S-1.27SVL(71) | 572-2157-8-71 |                    |       |       |       |       | 63.85 | 59.25 |      |
| FX2-100S-1.27SV(71)  | 572-2108-2-71 | 100                | 73.55 | 62.23 | 68.43 | 67.31 | —     | —     |      |
| FX2-100S-1.27SVL(71) | 572-2158-0-71 |                    |       |       |       |       | 76.55 | 71.95 |      |
| FX2-120S-1.27SV(71)  | 572-2109-5-71 | 120                | 86.25 | 74.93 | 81.13 | 80.01 | —     | —     |      |
| FX2-120S-1.27SVL(71) | 572-2159-3-71 |                    |       |       |       |       | 89.25 | 84.65 |      |

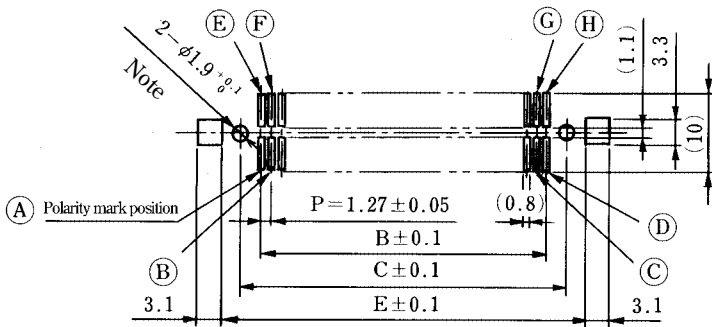
## Header SMT Type

### ●Straight Type



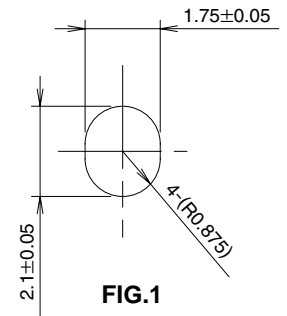
Note: The connector positioning bosses are constructed to press fit into the board with light force. When mounting on the board, press the connector lightly from the top and check that the positioning bosses are securely inserted in the board holes and that the connector leads are engaged in the board. The recommended boss hole for use with automatic mounting is illustrated in fig. 1.

### ◆PCB mounting pattern



n = Number of Contacts

- (A) a1
- (B) a2
- (C)  $\frac{n}{2} - 1$
- (D)  $\frac{n}{2}$
- (E) b1
- (F) b2
- (G)  $b\frac{n}{2} - 1$
- (H)  $b\frac{n}{2}$



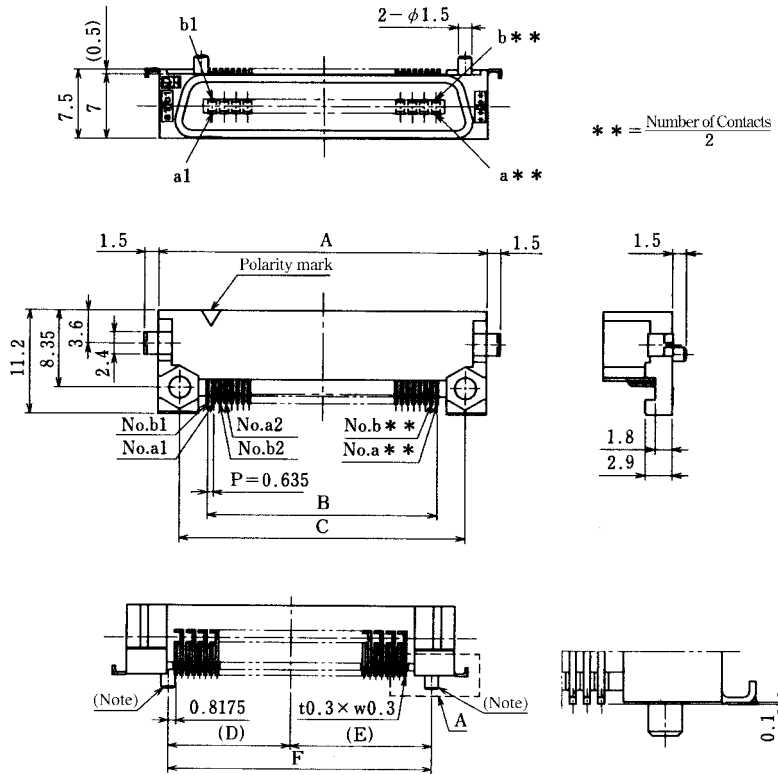
Unit: mm

| Part Number          | CL No.        | Number of Contacts | A     | B     | C     | D     | E     | RoHS |
|----------------------|---------------|--------------------|-------|-------|-------|-------|-------|------|
| FX2- 20P-1.27SV(71)  | 572-2001-9-71 | 20                 | 22.75 | 11.43 | 16.51 | —     | —     | YES  |
| FX2- 20P-1.27SVL(71) | 572-2051-7-71 |                    |       |       |       | 25.75 | 21.15 |      |
| FX2- 32P-1.27SV(71)  | 572-2002-1-71 | 32                 | 30.37 | 19.05 | 24.13 | —     | —     |      |
| FX2- 32P-1.27SVL(71) | 572-2052-0-71 |                    |       |       |       | 33.37 | 28.77 |      |
| FX2- 40P-1.27SV(71)  | 572-2003-4-71 | 40                 | 35.45 | 24.13 | 29.21 | —     | —     |      |
| FX2- 40P-1.27SVL(71) | 572-2053-2-71 |                    |       |       |       | 38.45 | 33.85 |      |
| FX2- 52P-1.27SV(71)  | 572-2004-7-71 | 52                 | 43.07 | 31.75 | 36.83 | —     | —     |      |
| FX2- 52P-1.27SVL(71) | 572-2054-5-71 |                    |       |       |       | 46.07 | 41.47 |      |
| FX2- 60P-1.27SV(71)  | 572-2005-0-71 | 60                 | 48.15 | 36.83 | 41.91 | —     | —     |      |
| FX2- 60P-1.27SVL(71) | 572-2055-8-71 |                    |       |       |       | 51.15 | 46.55 |      |
| FX2- 68P-1.27SV(71)  | 572-2006-2-71 | 68                 | 53.23 | 41.91 | 46.99 | —     | —     |      |
| FX2- 68P-1.27SVL(71) | 572-2056-0-71 |                    |       |       |       | 56.23 | 51.63 |      |
| FX2- 80P-1.27SV(71)  | 572-2007-5-71 | 80                 | 60.85 | 49.53 | 54.61 | —     | —     |      |
| FX2- 80P-1.27SVL(71) | 572-2057-3-71 |                    |       |       |       | 63.85 | 59.25 |      |
| FX2-100P-1.27SV(71)  | 572-2008-8-71 | 100                | 73.55 | 62.23 | 67.31 | —     | —     |      |
| FX2-100P-1.27SVL(71) | 572-2058-6-71 |                    |       |       |       | 76.55 | 71.95 |      |
| FX2-120P-1.27SV(71)  | 572-2009-0-71 | 120                | 86.25 | 74.93 | 80.01 | —     | —     |      |
| FX2-120P-1.27SVL(71) | 572-2059-9-71 |                    |       |       |       | 89.25 | 84.65 |      |

**FX2 Series 0.127mm Pitch Multi-Function Two Piece Connector**

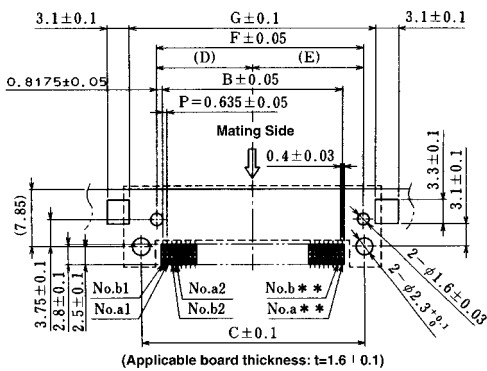
**Header SMT Type**

**Right Angle Type**

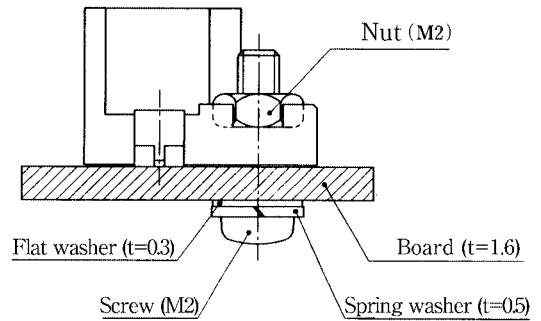


Note: The FX2A type does not have bosses as shown in the illustration.

**PCB mounting Pattern**



**Recommended Screw Clamp**



Use M2 screw for fixture.  
 Recommended torque is 0.15(N•m).

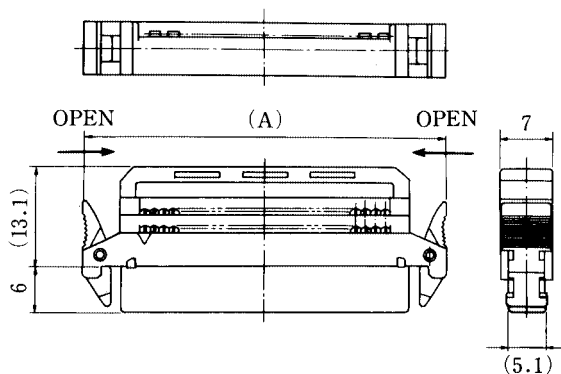
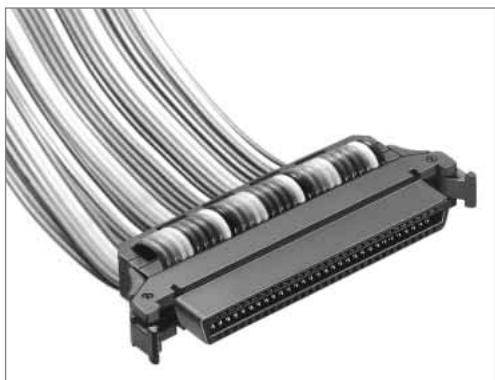
Unit: mm

| Part Number          | CL No.        | Number of Contacts | A     | B      | C     | D     | E     | F     | G     | RoHS |
|----------------------|---------------|--------------------|-------|--------|-------|-------|-------|-------|-------|------|
| FX2-20P-0.635SH(71)  | 572-2761-2-71 | 20                 | 22.75 | 12.065 | 18.05 | 6.85  | 8.85  | 15.7  | 21.15 | YES  |
| FX2A-20P-0.635SH(71) | 572-2771-6-71 |                    |       |        |       | —     | —     | —     |       |      |
| FX2-40P-0.635SH(71)  | 572-2763-8-71 | 40                 | 35.45 | 24.765 | 30.75 | 13.2  | 15.2  | 28.4  | 33.85 |      |
| FX2A-40P-0.635SH(71) | 572-2773-1-71 |                    |       |        |       | —     | —     | —     |       |      |
| FX2-52P-0.635SH(71)  | 572-2764-0-71 | 52                 | 43.07 | 32.385 | 38.37 | 17.01 | 19.01 | 36.02 | 41.47 |      |
| FX2A-52P-0.635SH(71) | 572-2774-4-71 |                    |       |        |       | —     | —     | —     |       |      |
| FX2-60P-0.635SH(71)  | 572-2765-3-71 | 60                 | 48.15 | 37.465 | 43.45 | 19.55 | 21.55 | 41.1  | 46.55 |      |
| FX2A-60P-0.635SH(71) | 572-2775-7-71 |                    |       |        |       | —     | —     | —     |       |      |
| FX2-80P-0.635SH(71)  | 572-2767-9-71 | 80                 | 60.85 | 50.165 | 56.15 | 25.9  | 27.9  | 53.8  | 59.25 |      |
| FX2A-80P-0.635SH(71) | 572-2777-2-71 |                    |       |        |       | —     | —     | —     |       |      |



## ■ Socket Type

### ● Lock Cable Type

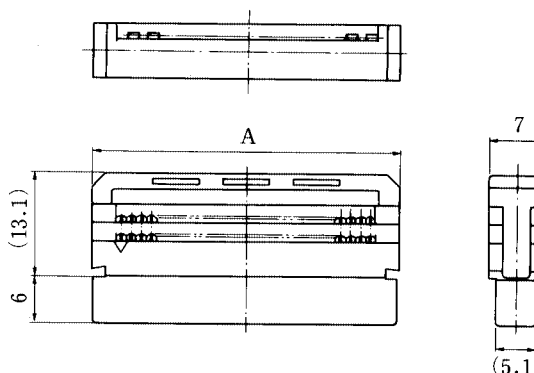
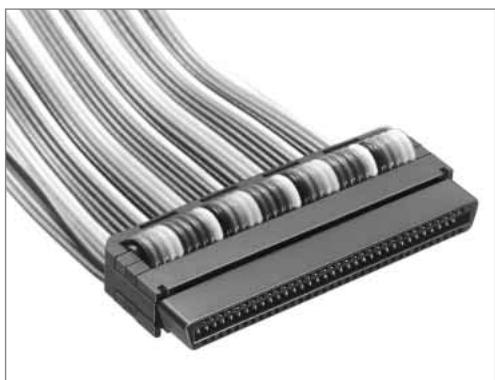


Combination View

Unit: mm

| Part Number      | CL No.     | Number of Contacts | A     | RoHS |
|------------------|------------|--------------------|-------|------|
| FX2B- 20SA-1.27R | 572-0621-2 | 20                 | 27.83 | YES  |
| FX2B- 32SA-1.27R | 572-0622-5 | 32                 | 35.45 |      |
| FX2B- 40SA-1.27R | 572-0623-8 | 40                 | 40.53 |      |
| FX2B- 52SA-1.27R | 572-0624-0 | 52                 | 48.15 |      |
| FX2B- 60SA-1.27R | 572-0625-3 | 60                 | 53.23 |      |
| FX2B- 68SA-1.27R | 572-0629-4 | 68                 | 58.31 |      |
| FX2B- 80SA-1.27R | 572-0630-3 | 80                 | 65.93 |      |
| FX2B-100SA-1.27R | 572-0628-1 | 100                | 78.63 |      |

### ● Unlock Cable Type



Combination View

Unit: mm

| Part Number       | CL No.     | Number of Contacts | A     | RoHS |
|-------------------|------------|--------------------|-------|------|
| FX2BA- 20SA-1.27R | 572-0671-0 | 20                 | 18.05 | YES  |
| FX2BA- 32SA-1.27R | 572-0672-3 | 32                 | 25.67 |      |
| FX2BA- 40SA-1.27R | 572-0673-6 | 40                 | 30.75 |      |
| FX2BA- 52SA-1.27R | 572-0674-9 | 52                 | 38.37 |      |
| FX2BA- 60SA-1.27R | 572-0675-1 | 60                 | 43.45 |      |
| FX2BA- 68SA-1.27R | 572-0676-4 | 68                 | 48.53 |      |
| FX2BA- 80SA-1.27R | 572-0677-7 | 80                 | 56.15 |      |
| FX2BA-100SA-1.27R | 572-0678-0 | 100                | 68.85 |      |

## ◆ Connection Tool

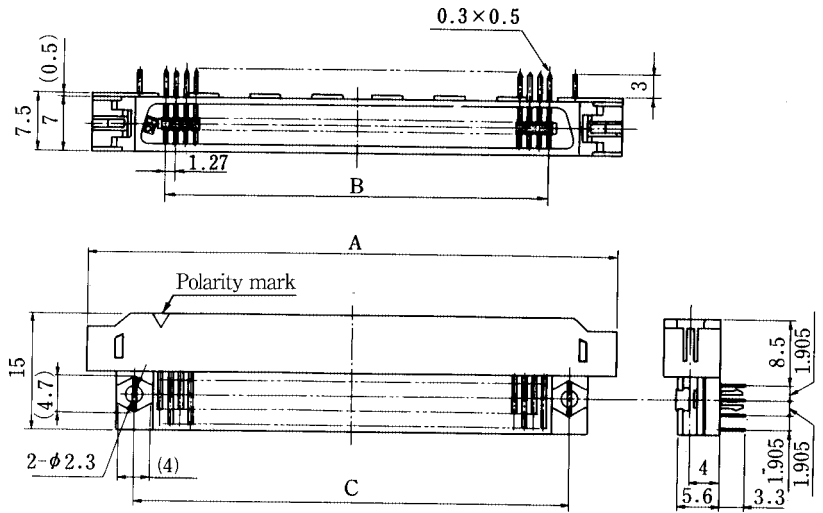
| Type             | Part Number              | CL No.     |
|------------------|--------------------------|------------|
| Guide plate      | FX2B(A)-GPA              | 550-0212-6 |
| Connection press | Hi-Flex connection press | 550-0082-2 |

Note: HRS6 cable cutter FC601 isn't required for FX2B(A) connection.  
 (Connected without convex-concave cutting.)

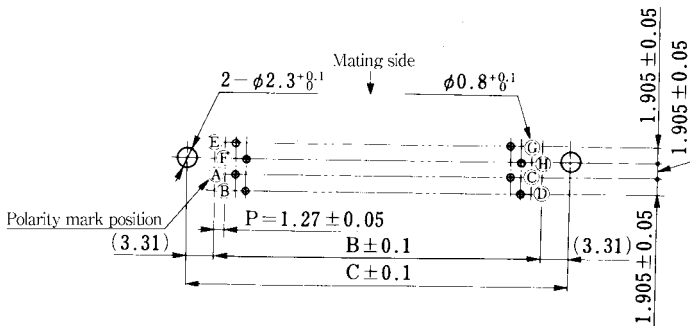
**FX2 Series 1.27mm Pitch Multi-Function Two Piece Connector**

**Header**

**Right Angle Type for Lock**



**PCB mounting pattern**



n= number of contacts

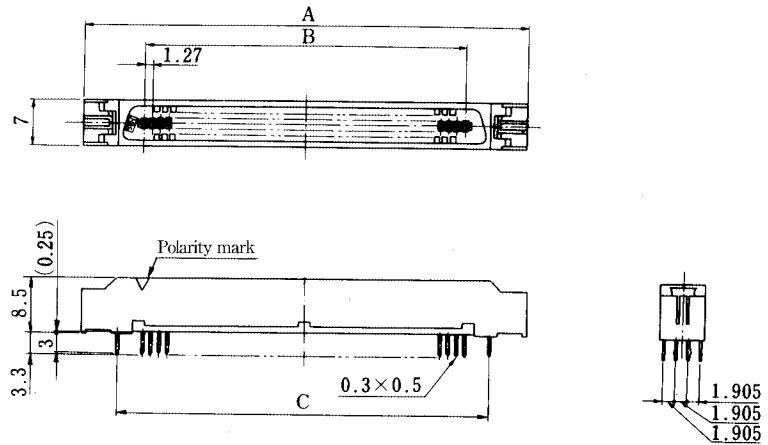
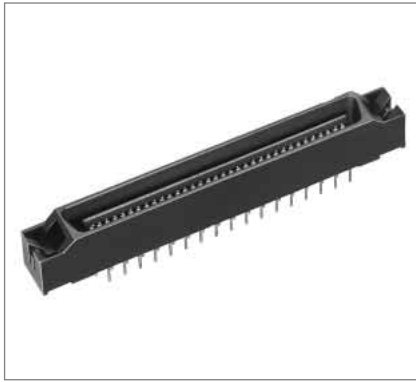
- Ⓐ a1                      Ⓔ b1
- Ⓑ a2                      Ⓕ b2
- Ⓒ a $\frac{n}{2}$  - 1              Ⓖ b $\frac{n}{2}$  - 1
- Ⓓ a $\frac{n}{2}$                     Ⓖ b $\frac{n}{2}$

Unit: mm

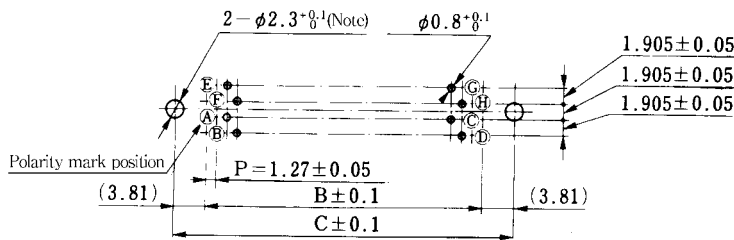
| Part Number            | CL No.        | Number of Contacts | A     | B     | C     | RoHS |
|------------------------|---------------|--------------------|-------|-------|-------|------|
| FX2B- 20PA-1.27DS(71)  | 572-0721-7-71 | 20                 | 30.33 | 11.43 | 18.05 | YES  |
| FX2B- 20PA-1.27DSL(71) | 572-0771-5-71 |                    |       |       |       |      |
| FX2B- 32PA-1.27DS(71)  | 572-0722-0-71 | 32                 | 37.95 | 19.05 | 25.67 |      |
| FX2B- 32PA-1.27DSL(71) | 572-0772-8-71 |                    |       |       |       |      |
| FX2B- 40PA-1.27DS(71)  | 572-0723-2-71 | 40                 | 43.03 | 24.13 | 30.75 |      |
| FX2B- 40PA-1.27DSL(71) | 572-0773-0-71 |                    |       |       |       |      |
| FX2B- 52PA-1.27DS(71)  | 572-0724-5-71 | 52                 | 50.65 | 31.75 | 38.37 |      |
| FX2B- 52PA-1.27DSL(71) | 572-0774-3-71 |                    |       |       |       |      |
| FX2B- 60PA-1.27DS(71)  | 572-0725-8-71 | 60                 | 55.73 | 36.83 | 43.45 |      |
| FX2B- 60PA-1.27DSL(71) | 572-0775-6-71 |                    |       |       |       |      |
| FX2B- 68PA-1.27DS(71)  | 572-0726-0-71 | 68                 | 60.81 | 41.91 | 48.53 |      |
| FX2B- 68PA-1.27DSL(71) | 572-0776-9-71 |                    |       |       |       |      |
| FX2B- 80PA-1.27DS(71)  | 572-0727-3-71 | 80                 | 68.43 | 49.53 | 56.15 |      |
| FX2B- 80PA-1.27DSL(71) | 572-0777-1-71 |                    |       |       |       |      |
| FX2B-100PA-1.27DS(71)  | 572-0728-6-71 | 100                | 81.13 | 62.23 | 68.85 |      |
| FX2B-100PA-1.27DSL(71) | 572-0778-4-71 |                    |       |       |       |      |

## Header No Cleaning Type

### ●Straight Type for Lock



## ◆PCB mounting pattern



n = number of contact

- |                    |                    |
|--------------------|--------------------|
| Ⓐ a1               | Ⓔ b1               |
| Ⓑ a2               | Ⓕ b2               |
| Ⓒ $a\frac{n}{2}-1$ | Ⓖ $b\frac{n}{2}-1$ |
| Ⓓ $a\frac{n}{2}$   | Ⓗ $b\frac{n}{2}$   |

Note: Not required, unless the prefixed pin is attached.

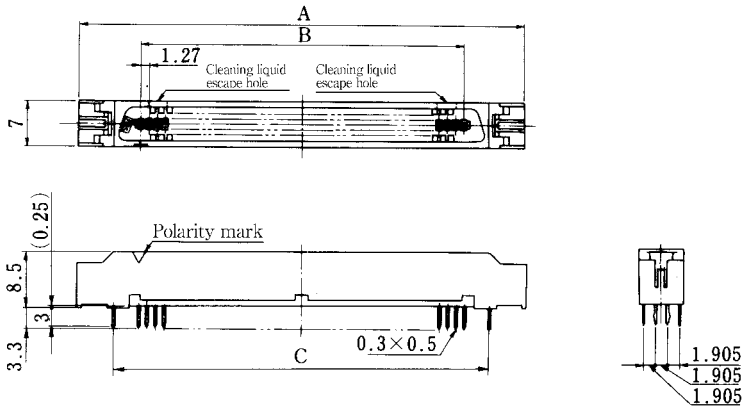
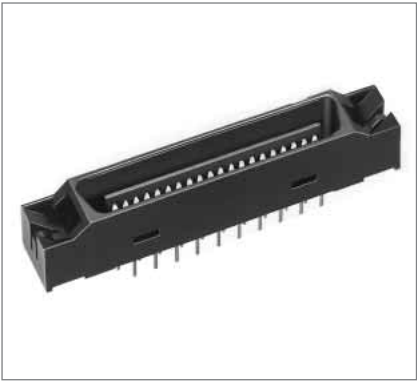
Unit: mm

| Part Number             | CL No.        | Number of Contacts | A     | B     | C     | RoHS |
|-------------------------|---------------|--------------------|-------|-------|-------|------|
| FX2B- 20P-1.27DSA(71)   | 572-0801-4-71 | 20                 | 30.33 | 11.43 | —     | YES  |
| FX2B- 20P-1.27DSAL(71)  | 572-0851-2-71 |                    |       |       | 19.05 |      |
| FX2B- 32P-1.27DSA(71)   | 572-0802-7-71 | 32                 | 37.95 | 19.05 | —     |      |
| FX2B- 32P-1.27DSAL(71)  | 572-0852-5-71 |                    |       |       | 26.67 |      |
| FX2B- 40PA-1.27DSA(71)  | 572-0823-7-71 | 40                 | 43.03 | 24.13 | —     |      |
| FX2B- 40PA-1.27DSAL(71) | 572-0873-5-71 |                    |       |       | 31.75 |      |
| FX2B- 52PA-1.27DSA(71)  | 572-0824-0-71 | 52                 | 50.65 | 31.75 | —     |      |
| FX2B- 52PA-1.27DSAL(71) | 572-0874-8-71 |                    |       |       | 39.37 |      |
| FX2B- 60PA-1.27DSA(71)  | 572-0825-2-71 | 60                 | 55.73 | 36.83 | —     |      |
| FX2B- 60PA-1.27DSAL(71) | 572-0875-0-71 |                    |       |       | 44.45 |      |
| FX2B- 68PA-1.27DSA(71)  | 572-0826-5-71 | 68                 | 60.81 | 41.91 | —     |      |
| FX2B- 68PA-1.27DSAL(71) | 572-0876-3-71 |                    |       |       | 49.53 |      |
| FX2B- 80PA-1.27DSA(71)  | 572-0827-8-71 | 80                 | 68.43 | 49.53 | —     |      |
| FX2B- 80PA-1.27DSAL(71) | 572-0877-6-71 |                    |       |       | 57.15 |      |
| FX2B-100PA-1.27DSA(71)  | 572-0828-0-71 | 100                | 81.13 | 62.23 | —     |      |
| FX2B-100PA-1.27DSAL(71) | 572-0878-9-71 |                    |       |       | 69.85 |      |

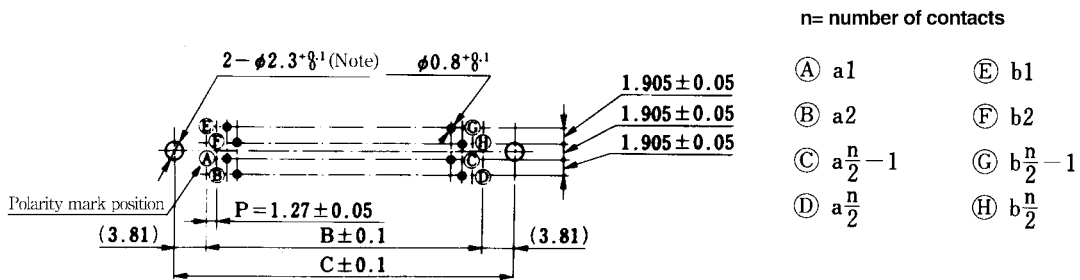
**FX2 Series 1.27mm Pitch Multi-Function Two Piece Connector**

**Header Cleaning Type**

**Straight Type for Lock**



**PCB mounting pattern**



Note: Not required, unless the prefixed pin is attached

Unit: mm

| Part Number              | CL No.        | Number of Contacts | A     | B     | C     | RoHS |
|--------------------------|---------------|--------------------|-------|-------|-------|------|
| FX2BA- 20P-1.27DSA(71)   | 572-0901-9-71 | 20                 | 30.33 | 11.43 | —     | YES  |
| FX2BA- 20P-1.27DSAL(71)  | 572-0951-7-71 |                    |       |       | 19.05 |      |
| FX2BA- 32P-1.27DSA(71)   | 572-0902-1-71 | 32                 | 37.95 | 19.05 | —     |      |
| FX2BA- 32P-1.27DSAL(71)  | 572-0952-0-71 |                    |       |       | 26.67 |      |
| FX2BA- 40PA-1.27DSA(71)  | 572-0923-1-71 | 40                 | 43.03 | 24.13 | —     |      |
| FX2BA- 40PA-1.27DSAL(71) | 572-0973-0-71 |                    |       |       | 31.75 |      |
| FX2BA- 52PA-1.27DSA(71)  | 572-0924-4-71 | 52                 | 50.65 | 31.75 | —     |      |
| FX2BA- 52PA-1.27DSAL(71) | 572-0974-2-71 |                    |       |       | 39.37 |      |
| FX2BA- 60PA-1.27DSA(71)  | 572-0925-7-71 | 60                 | 55.73 | 36.83 | —     |      |
| FX2BA- 60PA-1.27DSAL(71) | 572-0975-5-71 |                    |       |       | 44.45 |      |
| FX2BA- 68PA-1.27DSA(71)  | 572-0926-0-71 | 68                 | 60.81 | 41.91 | —     |      |
| FX2BA- 68PA-1.27DSAL(71) | 572-0976-8-71 |                    |       |       | 49.53 |      |
| FX2BA- 80PA-1.27DSA(71)  | 572-0927-2-71 | 80                 | 68.43 | 49.53 | —     |      |
| FX2BA- 80PA-1.27DSAL(71) | 572-0977-0-71 |                    |       |       | 57.15 |      |
| FX2BA-100PA-1.27DSA(71)  | 572-0928-5-71 | 100                | 81.13 | 62.23 | —     |      |
| FX2BA-100PA-1.27DSAL(71) | 572-0978-3-71 |                    |       |       | 69.85 |      |

# Mouser Electronics

Authorized Distributor

Click to View Pricing, Inventory, Delivery & Lifecycle Information:

## Hirose Electric:

[FX2B\(A\)-GPA](#) [FX2B-20SA-1.27R](#) [FX2B-20SA-1.27R\(02\)](#) [FX2B-32SA-1.27R](#) [FX2B-32SA-1.27R\(02\)](#) [FX2B-40SA-1.27R](#) [FX2B-40SA-1.27R\(02\)](#) [FX2B-52SA-1.27R](#) [FX2B-52SA-1.27R\(02\)](#) [FX2B-60SA-1.27R](#) [FX2B-60SA-1.27R\(02\)](#) [FX2B-100SA-1.27R](#) [FX2B-100SA-1.27R\(02\)](#) [FX2B-68SA-1.27R](#) [FX2B-68SA-1.27R\(02\)](#) [FX2B-80SA-1.27R](#) [FX2B-80SA-1.27R\(02\)](#) [FX2BM-20SA-1.27R](#) [FX2BM-32SA-1.27R](#) [FX2BM-40SA-1.27R](#) [FX2BM-52SA-1.27R](#) [FX2BM-60SA-1.27R](#) [FX2BM-68SA-1.27R](#) [FX2BM-80SA-1.27R](#) [FX2BM-100SA-1.27R](#) [FX2BA-20SA-1.27R](#) [FX2BA-32SA-1.27R](#) [FX2BA-40SA-1.27R](#) [FX2BA-52SA-1.27R](#) [FX2BA-60SA-1.27R](#) [FX2BA-68SA-1.27R](#) [FX2BA-80SA-1.27R](#) [FX2BA-100SA-1.27R](#) [FX2B-20P-1.27DS\(71\)](#) [FX2B-32P-1.27DS\(71\)](#) [FX2B-40P-1.27DS\(71\)](#) [FX2B-52P-1.27DS\(71\)](#) [FX2B-60P-1.27DS\(71\)](#) [FX2B-68P-1.27DS\(71\)](#) [FX2B-80P-1.27DS\(71\)](#) [FX2B-100P-1.27DS\(71\)](#) [FX2B-20PA-1.27DS\(71\)](#) [FX2B-32PA-1.27DS\(71\)](#) [FX2B-40PA-1.27DS\(71\)](#) [FX2B-52PA-1.27DS\(71\)](#) [FX2B-60PA-1.27DS\(71\)](#) [FX2B-68PA-1.27DS\(71\)](#) [FX2B-80PA-1.27DS\(71\)](#) [FX2B-100PA-1.27DS\(71\)](#) [FX2B-20P-1.27DSL\(71\)](#) [FX2B-32P-1.27DSL\(71\)](#) [FX2B-40P-1.27DSL\(71\)](#) [FX2B-52P-1.27DSL\(71\)](#) [FX2B-60P-1.27DSL\(71\)](#) [FX2B-68P-1.27DSL\(71\)](#) [FX2B-80P-1.27DSL\(71\)](#) [FX2B-100P-1.27DSL\(71\)](#) [FX2B-20PA-1.27DSL\(71\)](#) [FX2B-32PA-1.27DSL\(71\)](#) [FX2B-40PA-1.27DSL\(71\)](#) [FX2B-52PA-1.27DSL\(71\)](#) [FX2B-60PA-1.27DSL\(71\)](#) [FX2B-68PA-1.27DSL\(71\)](#) [FX2B-80PA-1.27DSL\(71\)](#) [FX2B-100PA-1.27DSL\(71\)](#) [FX2B-20P-1.27DSA\(71\)](#) [FX2B-32P-1.27DSA\(71\)](#) [FX2B-40P-1.27DSA\(71\)](#) [FX2B-52P-1.27DSA\(71\)](#) [FX2B-60P-1.27DSA\(71\)](#) [FX2B-68P-1.27DSA\(71\)](#) [FX2B-80P-1.27DSA\(71\)](#) [FX2B-100P-1.27DSA\(71\)](#) [FX2B-40PA-1.27DSA\(71\)](#) [FX2B-52PA-1.27DSA\(71\)](#) [FX2B-60PA-1.27DSA\(71\)](#) [FX2B-68PA-1.27DSA\(71\)](#) [FX2B-80PA-1.27DSA\(71\)](#) [FX2B-100PA-1.27DSA\(71\)](#) [FX2B-20P-1.27DSAL\(71\)](#) [FX2B-32P-1.27DSAL\(71\)](#) [FX2B-40P-1.27DSAL\(71\)](#) [FX2B-52P-1.27DSAL\(71\)](#) [FX2B-60P-1.27DSAL\(71\)](#) [FX2B-68P-1.27DSAL\(71\)](#) [FX2B-80P-1.27DSAL\(71\)](#) [FX2B-100P-1.27DSAL\(71\)](#) [FX2B-40PA-1.27DSAL\(71\)](#) [FX2B-52PA-1.27DSAL\(71\)](#) [FX2B-60PA-1.27DSAL\(71\)](#) [FX2B-68PA-1.27DSAL\(71\)](#) [FX2B-80PA-1.27DSAL\(71\)](#) [FX2B-100PA-1.27DSAL\(71\)](#) [FX2BA-20P-1.27DSA\(71\)](#) [FX2BA-32P-1.27DSA\(71\)](#) [FX2BA-40P-1.27DSA\(71\)](#) [FX2BA-52P-1.27DSA\(71\)](#) [FX2BA-60P-1.27DSA\(71\)](#) [FX2BA-68P-1.27DSA\(71\)](#) [FX2BA-80P-1.27DSA\(71\)](#)